



Parcels, groupage  
and part loads (national).  
Prices, services,  
terms and conditions.  
Valid from 01.07.2021

# Transport guide



Finding New Ways

# Finding new ways for you and your customers

This transport guide describes our parcel services for the private and business market, including terms and conditions, zone tables and price lists.

## We hope you will find our transport guide useful!

Part 1 Parcels	p. 2-61
Part 2 Groupage and part loads	p. 62-121
Del 3 Bring and the environment	p. 122-123

## Del 1 Parcels

### OUR SERVICES

1.1 Services	p. 5
1.2 Value-added services	p. 5-6
1.3 Additional information, services	p. 7
1.4 Posting, collection and delivery	p. 7-8

### TRANSPORT CRITERIA

1.5 Conditions	p. 8-10
----------------	---------

### LIABILITY AND INSURANCE

1.6 Customers and Bring's liability	p. 10
1.7 Carriage conditions	p. 10-14
1.8 Complaints and compensation	p. 14-15

### TABLES AND PRICES

1.9 Zone table and location register with zones for Business Parcel Express Overnight	p. 17-53
1.10 Price list	p. 54
1.11 Surcharges	p. 60



# 1.1 Our services

Our customers have various needs. This is why we offer a range of services that meet needs relating to logistics services – from A to Z.

## 1.1.1 E-services

Using Bring's transport services provides access to a number of e-services. Besides direct integration with our IT system, we offer our customers Mybring, an online self-service solution that gives you full control over your deliveries with Bring, no matter where you are. You can easily produce custom reports and order parcel, cargo and courier shipments with a single login. Mybring is available 24 hours a day and free to Bring customers.

## 1.1.2 Business Parcel

Business to business parcels up to 35 kg require a manned reception area for receipt of parcels. Delivery normally takes place between 8am and 4pm. Posting of parcels at a post office or Post-in-Shop. Collection is possible and requires an agreement with Bring.

## 1.1.3 Business Parcel Express Overnight

Our service for important parcels up to 35 kg that need to be delivered quickly. See section 1.4.2 for more information.

## 1.1.4 Climate-neutral Service Package

Parcels up to 35 kg, with a contract-based offering for businesses with private customers as their target group (online stores, etc.). The fact that this package is climate-neutral means that Bring undertakes to reduce greenhouse gas emissions from transport by using rail rather than road, while also compensating for residual emissions. The consignee collects the package at a Post-in-Shop or post office.

## 1.1.5 Home Delivery

Parcels up to 35 kg, with a contract-based offering for business customers as a target group. Parcels are delivered to homes during the daytime between 8am and 5pm, or in the evenings between 7pm and 9pm, depending on the postal code. We are currently piloting for distribution on the weekends in some areas. Your customers will be notified per SMS or e-mail with expected day of delivery with link for tracking information. For Home delivery service, we try one delivery attempt, if the customer is not at home

or do not choose flex delivery, the package will be delivered to the nearest Post-in.shop or pick up place. As customer you can order a second delivery attempt. Order Second delivery attempt with the EDI-file.

## 1.1.6 Business Parcel

Business to business consignments, international. A door-to-door service that includes customs clearance and delivery to consignees all over the world. If you have a contract relating to collection of your national parcels, you can send your international parcels along as well.

## 1.1.7 Pickup Parcel

A solution for companies that send parcels to private individuals abroad. Well suited to online shopping services, and parcels can be sent all over the world.

## 1.2 ADDITIONAL SERVICES, PARCELS

Bring offers additional services that add value for its customers. Some of these services are listed below. Other additional services are indicated in the price lists and at bring.no.

### 1.2.1 Any pickup point

Consignees themselves can choose the Post-in-Shop or post office where they want to collect their parcels. This additional service can be used with the Climate-neutral Service Package and the Business Parcel Express Overnight service. This service is well-suited to online shopping services.

### 1.2.2 Cash on Delivery

(Climate-neutral Service Package)

This additional service guarantees that parcels will not be delivered until a fee has been paid. This is ideal if you have agreed that customers are to pay for the products you are sending out. If you wish to amend or cancel the cash on delivery amount while the parcel is en route, we can arrange this for you on payment of an additional fee.





This service can also be used with Business Parcel Bulk and single parcels to the Faroe Islands and Greenland. See section 1.11 Surcharges.

#### 1.2.3 Simplified Delivery

Is a service where the party ordering the parcel asks Bring to leave the item with the consignee without the consignee being present to receive the consignment. This service must be ordered via EDI message. As agreed with the consignor, the driver leaves the item at street level and then signs to indicate that the item has been delivered, thereby guaranteeing that the consignment can be tracked. This service means that the customer accepts liability and disclaims the right to compensation for damaged or missing items.

Simplified Delivery is not recommended for larger towns/blocks unless Bring has the option of delivering the item to a closed entrance or similar. It is also well worth deciding on the value of the item, and this service is not appropriate for items that are easy to carry and sell on.

Simplified Delivery could be offered to online stores, allowing purchasers themselves to decide on whether they would like to use this delivery method. This service is not used with the Climate-neutral Service Package.

#### 1.2.4 ID Services

If you would like consignees to show ID on delivery, this can be ordered via EDI. Your consignee receives notification by way of a notification card, text message or email to indicate that your company requires them

to show ID. This additional service can be used with all parcel services.

#### Delivery on production of ID:

ID is checked at the time of delivery. Someone other than the consignee can collect the parcel, but this person has to show ID in order to take delivery of the consignment. Can be used with all parcel services.

#### Personal Delivery:

Only the specified consignee is able to collect the parcel, on production of ID. It is not possible for anyone else to collect the parcel. Can be used with Business Parcel Express Overnight, Home Delivery and Climate-neutral Service Package.

#### 1.2.5 Projects

We offer transport and logistics solutions appropriate for time- or volume-delimited projects. Priced according to contract.

#### 1.2.6 Skills placement

We work in partnership with our customers to analyse potential areas where we can improve the efficiency of the customer's logistics by means of extended cooperation. Bring currently offers dedicated personnel with training and experience in the field of logistics who work together with our customers to analyse and identify measures to enhance the efficiency of the customer's logistics. Examples of areas include delivery monitoring and forwarding, transport planning and implementation, coordination with the customer's warehouse, purchasing and sales departments, and

coordinating and arranging all forms of inbound and outbound transport regardless of transport form and destination.

#### 1.2.7 Insurance

It is possible to take out goods insurance for parcels. For parcels, this is done by means of an EDI message. See bring.no for more details.

### 1.3 ADDITIONAL INFORMATION, SERVICES

#### 1.3.1 Collection deadline

The collection deadline for parcels left at a domestic Post-in-Shop or post office is 14 days.

Parcels that are not collected before the deadline will be returned. A reminder is sent out to the consignee after 5 days. If text messaging and/or email notification are used, reminders are sent on day 3 and day 11 following arrival of the parcel at a Post-in-Shop or post office. Parcels that arrive at a post office or Post-in-Shop between 1 and 17 July will not be returned until 1 August. Parcels will not be returned between 23 and 31 December. The first date for returns is the third working day after New Year.

#### 1.3.2 Returned consignments

Consignments that we are unable to deliver to the consignee will be returned at the client's expense.

#### 1.3.3 Delivery precision and calculation of delivery time

We have guideline delivery times for our services, unless specified otherwise as a condition for the service in question. The shipping time is the period from the time at which arrival of the consignment at our dispatch terminal is recorded until the consignment is delivered/made available to the consignee.

The promised delivery time for Business Parcel Express Overnight can be found in the booking screen at Mybring.no. For other services, the shipping time is only measured in number of days.

Bring currently offers a time guarantee for Business Parcel Express Overnight.

#### Requirements:

- Correct labelling and packaging of the item, along with Bring receiving and accepting a correct EDI message before we receive the consignment.
- The consignment must be recorded at the posting terminal before the posting deadline for the service and terminal in question. Delivery normally takes place Monday to Friday between the hours of 8am and 4pm.

#### Exceptions:

- Weekends and public holidays, plus holiday periods such as Christmas, Easter and summer.
- In the event of force majeure, floods, landslides, snowfall or other reduced accessibility on roads or railways.

### 1.4 POSTING, COLLECTION AND DELIVERY

Bring is able to collect all consignments from consignors and deliver to consignees. Parcels can be posted/picked up at Post-in-Shops/post offices. There are various alternatives, service levels and deadlines associated with our services, and these are priced according to the applicable service specifications and price lists.

#### 1.4.1 Business parcels

Collection from the customer's premises is not normally included, but this can be agreed separately via a pickup/bring agreement. Business parcels can be posted at Post-in-Shops or post offices on payment of an additional charge per package. Door-to-door pickup and delivery of business parcels is included in the price if more than 800 packages are sent per year.

Business parcels are primarily picked up from and delivered to a single point within the company, e.g. at reception or on the ramp. The driver does not carry on consignments. Delivered to consignees Monday to Friday before 4pm. Two delivery attempts will be made at the consignee's address. An additional charge will be incurred if two delivery attempts are made. It is possible to order delivery via a Post-in-Shop or post office if the consignee is not available when attempts are made to deliver the parcel to the door. This has to be ordered at the same time by means of an EDI message. This service can be implemented after the first or second delivery attempt. This service is priced separately, and only if the parcels have been delivered via post office. See section 1.11 Surcharges. Business parcels weighing more than 35 kg or consignments that include more than 4 packages cannot be delivered via a Post-in-Shop or post office and will be returned to consignor.

If the business parcel cannot be delivered to the door and delivery via a pickup point (Post-in-Shop or post office) has been ordered, the driver will, if possible, leave a card indicating where and when the business parcel can be picked up. If the driver is unable to leave a card, the consignee will receive notification by means of a pickup message in the form of a letter or text message.

#### 1.4.2 Business Parcel Express Overnight

Individual separate pickup is not included in the

price for Business Parcel Express Overnight. Business Parcel Express Overnight can be included in the case of pickup of other parcel services when a pickup agreement has been entered into. A separate pickup agreement can also be entered into in connection with Business Parcel Express Overnight. If Business Parcel Express Overnight consignments are picked up together with other parcel services, they must be clearly distinguished from other parcels so as to ensure correct handling and faster delivery. Business Parcel Express Overnight consignments can also be delivered to Post-in-Shops or post offices. In this case, please be aware that separate posting deadlines may apply to the service.

Dry ice can only be sent if the consignor has an agreement with Bring with regard to this. An additional charge will be made; see section 1.11 Surcharges.

Business Parcel Express Overnight consignments, like all other business parcels, are delivered to a single point at the consignee's premises. These services do not include internal distribution at the consignee's premises, with delivery to multiple locations within the building. Business Parcel Express Overnight consignments are usually delivered Monday to Friday before 9am, 11.30am or 4pm, depending on the route and the consignee's postal code. For parcels with a delivery deadline before 9am, the second delivery attempt will be made before the parcels are made available at a pickup point. Parcels with a delivery deadline of 11.30am or 4pm are made available at a pickup point after the first delivery attempt.

#### 1.4.3 Climate-neutral Service Package

Parcels can be delivered to a post office or Post-in-

Shop for customers without a pickup agreement. These parcels are delivered via a post office, Post-in-Shop or rural postman. See also the separate section on pickup deadlines.

#### 1.4.4 Consignments to Svalbard and Spitsbergen

Parcels (less than 35 kg, max. dimensions 120x60x60 cm) are sent by air. Separate rules on dangerous goods are applicable to all transport by air; see section 1.7.1 Safety provisions. Parcels that cannot be sent by air are sent by sea. Parcels with a net product value in excess of NOK 5000 must undergo customs clearance. Parcels to Svalbard must have a standard transport label, and a trade invoice (or, where applicable, a pro forma invoice) must be submitted with the consignment. A fixed additional charge for shipping is applicable to cargo to Svalbard. See section 1.11 Additional services.

### 1.5 TERMS AND CONDITIONS, PARCELS

It is important for the criteria for use of the individual services are met in order to ensure correct processing. Our terms and conditions are to be regarded as part of the agreement for the transport in question.

#### Validity

Posten Norge AS distributes items under the brand name Bring. Transport takes place in accordance with the tariffs, chargeable terms and carriage conditions applicable to Bring.

Bring's carriage conditions are regulated by the Nordic Association of Freight Forwarders' general terms and conditions (NSAB/2000), the Norwegian Road



Transport Act (the Norwegian Act on Road Shipping Contracts), the Norwegian Maritime Code and our Transport guide for business parcels, groupage and part loads (national).

Bring accepts no liability for the customer's further use of data supplied by Bring, either directly or via third parties.

The contract/transport contract for the consignment in question is approved information about each consignment and package that we require to have been scanned in accordance with agreed standards or transferred electronically.

The parcels will be loaded with other consignments. Requirements concerning the nature of the consignment, e.g. packaging and labelling. EDI messages are also required. This is described in this document, and terms and conditions are in accordance with the framework conditions known at any time.

We reserve the right to amend the framework conditions. Conditions may be amended by Bring with 1 month's notice. We reserve the right to correct printing errors.

#### 1.5.1 Additional costs

Bring reserves the right to charge the customer any extraordinary costs that Bring is unable to influence from the time at which the cost is incurred. Examples of such costs may include (but are not limited to) diversions as a result of road works, ferry stoppages, train stoppages, force majeure or similar requiring changes to our normal production.

Force majeure incidents that render alternative shipping impossible are excepted, and so additional costs will come into play when incidents require alternative shipping solutions that are feasible without the use of extraordinary measures, and beyond the day of the accident.

#### 1.5.2 Surcharges

If Norway Post and Bring terms and conditions are not met, the customer will be charged for the additional labour/additional costs incurred by Norway Post and Bring as a result of this. See section 1.11 Surcharges and bring.no.

#### 1.5.3 Handling surcharge, parcels

A handling surcharge will only be applied to parcels if one or more of these criteria occur:

- one side of a package is more than 120 cm in size
- two of the sides are more than 60 cm in size
- the parcel is smaller than the minimum dimensions (23 x 13 x 1 cm)
- the parcel is rolled up
- parcels are not packaged
- mechanical production is not possible for other reasons
- Business Parcel Express Overnight parcels cannot exceed 120 x 60 x 60 cm

See section 1.11 Surcharges.

#### 1.5.4 Incorrect or missing EDI

To be able to provide transport in accordance with applicable timetables, Bring is dependent

on receiving prior notification of all consignments. We require prior notification via EDI, and this must include correct and complete information. Pickup and delivery addresses and details on the consignment itself are examples of this. A surcharge will be levied for consignments whereby no EDI information has been received as agreed, or if the information provided is incorrect. See section 1.11 Surcharges.

#### 1.5.5. Delayed EDI message

A surcharge will be levied for consignments whereby no EDI information has been received as agreed and Bring has to enquire about this. See section 1.11 Surcharges.



**1.5.6 Storage of consignments with no EDI received**

A storage charge will be incurred if no EDI message has been received as agreed and the consignments have to be stored while awaiting the EDI. See section 1.11 Surcharges.

**1.5.7 Surcharges, customs clearance**

- Customs clearance NOK 240
- Surcharge per goods line, beyond the first line NOK 30
- Forwarding/customs warehouse (own customs clearance) NOK 124
- Pickup of customs clearance documentation NOK 124
- Supplement per assignment for cash settlement/ outlay commission 3.5% of the outlay amount, minimum NOK 274
- Calculation of value-added tax for VAT-registered companies. Price NOK 77 per assignment.

**1.5.8 Incomplete packaging**

A surcharge per consignment will be applied to consignments that are repaired or have to be repackaged due to incomplete or incorrect packaging. See section 1.11 Surcharges.

**1.5.9 Labour as per agreement**

Work carried out for a customer as per an agreement. Price per hour and 15-minute period commenced.

Consignments heavier than the permitted weight or with an invalid transport label.

Packages weighing more than the permitted weight and consignments labelled using labels from other shipping agents cause additional work for Bring. Bring will contact the consignor to agree whether the consignment is to be returned or converted and forwarded. Price per package/consignment. See section 1.11 Surcharges.

**1.5.10 Manual invoice**

Preparation of a manual invoice. Price (each), see section 1.9 Surcharges.

**1.5.11 Consignment numbers**

If the wrong consignment number is used or a consignment number is reused, a surcharge will be applied to each consignment with the wrong consignment number. Bring will create a new consignment number. See section 1.11 Surcharges.

Customer number

Surcharge will be applied if the wrong customer number is used and the customer requires a credit. See section 1.11 Surcharges.

**1.6 LIABILITY AND INSURANCE****1.6.1 The customer's liability**

The customer must accept his part of the liability defined in Bring's conditions. If the customer fails to fulfil a significant part of his obligations or it is apparent from his actions or other serious failure in his credit rating that the customer will be unable to fulfil a significant part of his obligations, Bring may suspend its fulfilment and withhold its services if the customer is notified of this without undue delay. If either party materially breaches its obligations pursuant to the agreement and fails to remedy the obligation following prior written notification from the other party, the party that is not in breach of its obligations may terminate the agreement.

**1.6.2 Bring's compensation liability**

Bring has limited compensation liability in accordance with the applicable NSAB. There is a cap on shipping agents' compensation liability:

- 17 SDR per kg of gross cargo weight (national shipments).
- 8.33 SDR per kg of gross cargo weight (international shipments).

Bring is not liable to cover the customer's indirect losses unless defined otherwise in the product specification.

**1.6.3 Compensation, Business Parcel****Express Overnight**

The shipping charge will be refunded in the event of delays caused by Norway Post and Bring. Claims for refunds of shipping must be submitted within 2 weeks of delivery. Business Parcel Express Overnight is also insured for up to NOK 50,000 against losses, damage and consequential losses.

**1.6.4 Norway Post cargo cages**

If the customer uses wire cages belonging to Posten Norge AS for loading and delivery of parcels, the customer may be charged NOK 5000 if these cages are damaged or lost when they are in the customer's possession.

**1.6.5 Insurance**

Purchasing transport does not include insurance, unless this is specifically agreed for the consignment in question. See section 1.2.7 Insurance for the purchasing of insurance.

**1.6.6 Delivery times**

Our delivery schedules specify guideline delivery times. Our delivery times are listed in Mybring.

Business Parcel Express Overnight services offered guaranteed times.





## 1.7 OTHER CARRIAGE CONDITIONS

### 1.7.1 Security provisions

Shipping of parcels is subject to public security provisions. The consignor is obliged to ensure that the contents of the consignment are packaged and labelled according to regulations and that delivery of the contents is permitted in compliance with applicable security requirements for the shipping in question. Parcels that are to be conveyed by air over parts of the route must undergo security checks. This may mean that the consignment will have to be opened by a security inspector for closer examination. The security inspection will be carried out by an authorised third party pursuant to instructions from the aviation authorities.

Norway Post and Bring are obliged to comply with the currently applicable regulations for transport and security, and are not liable for delays or consequential losses due to conditions associated with the nature of the consignment or circumstances beyond the control of Norway Post and Bring.

Where the above-mentioned conditions include Business Parcel Express Overnight, the consignment may be returned to consignor, stopped pending collection by the consignor or transferred from transport by air to land transport (road/rail) if this would be an appropriate shipping method. Bring reserves the right to make these assessments, particularly for consignments to be transported by air (where these are inspected by an external security operator approved by the Norwegian Civil Aviation Authority). See [bring.no](http://bring.no) for more information on consignments by air.

Norway Post and Bring are obliged to comply with the currently applicable regulations for transport and security, and are not liable for delays or consequential losses due to conditions associated with the nature of the consignment or circumstances beyond the control of Norway Post and Bring.

### 1.7.2 Prohibited items in parcels

Parcels that are sent with Bring cannot contain dangerous goods, only limited quantities. Business Parcel Express Overnight can not either contain limited quantities. See [bring.no](http://bring.no) for more details.

The customer is responsible for ensuring that the goods can be shipped legally in accordance with international conventions on legislation in the countries in, to and from which the goods are shipped. Bring does not ship goods for which distribution or sale in Norway is prohibited.

See part 2 for other provisions relating to dangerous goods. Groupage and part loads, section 2.1.3 Dangerous goods.

### 1.7.3 Weight and volume calculation

The total dimensions and weight of the consignment, including packaging, are used as a basis for calculating the price. Bring reserves the right to correct to the right weight and dimensions as a basis for calculating the price for the services. Shipping calculation is determined by the chargeable weight, which is the volumetric weight or actual weight, whichever is the greater. The maximum length, width and height of the consignment determines the volume. A set factor for converting volume to weight is defined for our parcel services.

Using this conversion allows you to calculate the volumetric weight:  $L(\text{dm}) \times B(\text{dm}) \times H(\text{dm}) / \text{conversion factor}$ .

Shipping is always calculated according to the calculation method that gives the highest calculation weight.

### 1.7.4 Shipping calculation

The shipping is calculated separately for each package. A consignment is understood to mean the packages assigned a consignment number or freight bill for shipping from a consignor to a consignee. A consignment may consist of one or more packages. All packages in a consignment must be submitted to Bring on the same day. All costs must generally be paid by the consignor, which must have approved credit and a customer number.

### 1.7.5 EDI and labelling

Correct labelling and a correct EDI message ensure that all consignments are processed correctly. Besides clear and correct labelling – see Bring's currently applicable specifications – the labelling must be compliant with the EDI message. Only labels approved by Bring will be accepted, preferably Norwegian EDIPRO standard.

Depending on the content, the barcode must use symbology GS1-128 in accordance with EAN/UCC standard, Code 128 in accordance with EN 799, X-module minimum 0.375 mm, height minimum 27 mm.

Legibility must be satisfactory in accordance with CEN standard EN1635, Quality minimum ANSI B.

It is important to be clear on the following so as to ensure that labels are legible in all parts of the logistics chain:

- The EDI message must be sent over to Bring before the consignee is handed over to Bring/Brings partners
- Labels must be clearly visible on all packages
- Labels must not be folded around corners
- Labels should not be covered with plastic film, unless the film is flush with the label
- Straps must not be applied over barcodes on labels
- Labels must be flat so as to ensure legibility
- Some of our services require special labelling
- Labels must be placed on the natural "up" side of the package if the weight is less than 35 kg
- Barcode character A-B

Our IT solutions are compliant with all standards and requirements specified in joint systems for identification of goods dated 1 July 2000, published by the Norstella Foundation and EAN Norway. This solution communicates with the majority of EDI system suppliers. Consignments that fail to meet the requirements may be rejected, delayed or subject to

additional charges. Error messages or incorrect EDI messages will be corrected by Bring. Billing for errors will be charged to the party paying for shipping in accordance with applicable prices. See section 1.11 Surcharges.

### 1.7.6 Packaging

The consignor is responsible for ensuring that the contents of a consignment are packaged (packed) securely.

The packaging must be robust and appropriate for the goods to be shipped. Fragile items must be surrounded by impact-absorbing material so as to absorb pressure and impact while protecting the contents. The packaging must be of such a nature that the goods can be loaded together with other consignments. Consignments on pallets must be sealed, strapped or packaged in a manner that provides the best possible protection from damage and slow that the items remain together on the pallet throughout the entire shipping process. Billing for errors will be charged to the party paying for shipping in accordance with applicable prices.

### 1.7.7 Payment terms

Advance payment must be made for shipping for customers that have no billing/credit agreement. All assignments submitted may be billed. It is possible to order transportation of both parcels and goods at [www.mybring.no](http://www.mybring.no) and to pay by card.

### 1.7.8 Credit

Up to 10 days' credit and an agreed credit limit are normally given by specific agreement. Credit and the credit limit will cease to apply in the event of any form of payment default. If payment is delayed, late payment interest will be calculated in accordance with the Norwegian Act concerning interest on overdue payments. Norway Post and Bring will calculate reminder fees for reminders and debt collection notifications in accordance with standard legislation, which is one-tenth of the applicable court costs. All new customers will undergo a credit assessment by Norway Post and Bring, and a duplicate letter indicating that this has taken place will be sent to the customer.

### 1.7.9 Invoices

All assignments involving credit will be paid according to invoices, and payments must be received by Bring before the due date. All objections to invoices must be submitted to Bring in writing within 8 days of receipt of the invoice. In the event of payment default, invoices that are not due will also be deemed to be overdue and may be collected together with overdue payments.

Norway Post and Bring have the right to offset their claims against claims that the customer has against Norway Post and Bring. The customer cannot offset or withhold funds that are overdue, even if complaints



are outstanding with regard to shipping, damage or missing items. If the agreed credit limit has been exceeded, or in the event of payment default or a credit rating adjusted downwards, Norway Post and Bring may stop the customer's consignments and pledge the customer's goods. If the credit rating is adjusted downwards, the customer may be offered a new credit agreement if security is provided. Norway Post and Bring will establish the security amount. Copy invoices with specifications can be accessed by our customers in Mybring. Copies of freight bills or other sub-vouchers are available upon request or by agreement.

**1.7.10 Reminder fees**

Bring has the right to offset or withhold funds that are overdue, even if complaints are outstanding with regard to shipping, damage or missing items. The reminder fee is pursuant to the Norwegian Debt Collection Act and currently applicable rates. A standard reminder/debt collection procedure will be applied in the case of unpaid invoices. The reminder fee is established in law and is always one-tenth of the currently applicable debt collection rate. The debt collection rate is adjusted by the Ministry of Justice every year. Priced per invoice.

**1.7.11 Fuel surcharges**

We add fuel surcharges for parcels as a variable part of the price. This surcharge is updated monthly, and the currently applicable surcharge can be found at bring.no.

**1.7.12 Toll charges**

A variable surcharge will be added to consignments in order to cover toll costs. Information on this can be found at bring.no

**1.7.13 Surcharges for incorrectly addressed parcels**

"Incorrect delivery address" means use of a postal code for a PO Box or an invalid postal code. See section 1.11 Surcharges.

**1.7.14 Goods in transit**

The customs authorities require information on consignment contents (product type) to be provided when passing borders (transit). Bring operates in compliance with the customs authorities' requirements and requires the customer/consignor to provide information on this in the EDI message.

Examples of approved product types may include: office items, groceries, industrial items, or more precise product types such as clothing, paper, etc. Heading 35 in the EDI message must include the above, without exception.

The client is responsible for providing the necessary information to Bring. Bring is exempt from any liability in the event of delays due to missing information.

**1.8 COMPLAINTS AND COMPENSATION**

Bring's compensation liability is limited to the currently applicable NSAB, the Norwegian Act on Road Shipping Contracts, the Norwegian Aviation Act and the Norwegian Maritime Code. If the item is damaged or parts or all of the consignment are missing upon receipt or delivery, this must be noted on the freight bill upon receipt or delivery and authorised by the driver/Bring and a responsible employee of the consignee. In the case of consignments without freight bills, the same information must be noted on a separate form and recorded on the driver's handheld terminal. Inspection requirements will be submitted to Bring Customer Service (Complaints Department).

If the damage cannot be seen from the outside, the consignee must notify Bring Customer Service (Complaints Department) in writing without undue delay.

If a receipt is provided on the transport document, or if the customer has noted a name on the display on the handheld terminal with no remarks, it must be assumed that the goods were in the condition indicated by the transport document upon delivery, unless the consignee is able to prove otherwise. The damaged item and packaging will be retained until an inspection has taken place. The deadline for submission of claims of compensation is 1 year from the dispatch date. Specified claims with freight bills or copies of electronic dispatch information, plus copies of purchase invoices are sent immediately to Bring by email: bringreklamasjon@bring.com.

As a rule, complaints must be submitted by the party paying for the shipping. The fact that the consignment was transported by Bring must be documented (e.g. scanning points in the transport chain). Special conditions are specified in the service specification for services offering guaranteed times.

**■ Conversion factor**

Service	Conversion factor	Explanation
Parcels	1:5	1 m <sup>3</sup> =200 kg

**■ How to find the price of parcel services**

The transport industry uses the chargeable weight and the number of zones to calculate prices. The chargeable weight is the volumetric weight or actual weight, whichever is the greater. Volume calculation is the method used to convert the volume to weight and find the volumetric weight.

**The volumetric weight is found as follows:**

- You have to find the volume first, and then multiply the length, width and height
- The volume must use the correct unit of measure. Bring uses dm<sup>3</sup>. If the dimensions are in cm, divide the result by 1000 to get the dimensions in dm<sup>3</sup> (the volume of the consignment)
- The volume is divided by the set conversion factor 5.0. This gives you a weight in kilograms. To calculate the number of zones to parcels, look at the list of zones on page 17 and find the consignor location on the basis of columns 1 and 2 "From" and "Postal code".

The consignee/destination is written vertically. The zone can be found at the point of intersection between the consignor location and the consignee/destination. To calculate the number of zones on Business Parcel Express Overnight, start with the postal code you send from and the postal code you send to. Check postal codes in the locationregister that you find from p.18. For both postal codes you will find which terminal they belong to. Then check the main zones on page.17 (note that local parcels where the incoming terminal and the outgoing terminal are the same, the number of main zones = 0 for Express overnight)

Once you have found the main zones, you will find local zones from the terminal. You will find this in the last column of the place register.

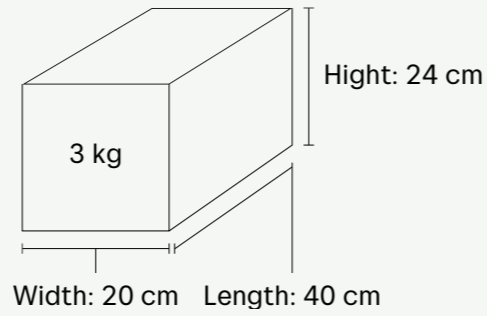
Total number of zones for Express overnight is the sum of zones between the terminals and the zones from the outgoing terminal. If the sum of the zones = 0 then the total number of zones is rounded up to 1.



**Sample calculation, parcels:**

We have a business parcel to be sent from Tønsberg to Molde: 4 zones.  
The parcel is going to an address inside the core area.

1. The parcel is (LxWxH) 40x20x24 cm in size and weighs 3 kg
2. Volume = 40 cm x 20 cm x 24 cm = 19200 cm<sup>3</sup>
3. You have to divide the result by 1000 to get the volume in dm<sup>3</sup>
4. 19200 / 1000 = 19.2 dm<sup>3</sup>



Volume: 19.2  
Set conversion factor: 5  
= 3.84

The chargeable weight is whichever is the higher of actual weight and volumetric weight, and is always rounded up to the nearest whole kilo. In this example the volumetric weight is higher, so the chargeable weight is 4 kg

4 kg to zone 4 costs NOK 228.

**Prices stated ex. VAT**

All prices are stated in NOK and do not include VAT. Customs clearance may be added to international services.



**Zone table, parcels**

**Zone1 = "0" zones for parcels sent with Business Parcel over night.**

FROM	POSTAL CODE	OSLO	KONGSVINGER	HAMAR	TYNSET	OTTA	FAGERNES	SARPSBORG	DRAMMEN	HØNEFOSS	KONGSBERG	TØNSBERG	SKIEN	ARENDAL	KRISTIANSAND	FLEKKEFJORD	STAVANGER	HAUGESUND	NORHEIMSUND	BERGEN	VOSS	FLORØ	VOLDA	SOGNDAL	ÅLESUND	MOLDE	KRISTIANSUND	STEINKJER	TRONDHEIM	FAUSKE	MOSJØEN	TROMSØ	FINNSNES	HARSTAD	ALTA	LAKSELV	KIRKENES
OSLO	0000-1499 1900-2099	1(0)	2	2	3	3	2	2	2	2	2	2	2	3	3	4	3	4	4	3	4	4	4	4	4	4	4	4	3	5	5	5	5	5	5	5	5
KONGSVINGER	2100-2299	2	1(0)	2	2	2	2	2	2	2	2	2	2	3	4	4	4	4	4	4	4	4	4	4	4	4	4	4	4	5	5	5	5	5	5	5	5
HAMAR	2300-2451/2600-2629/ 2800-2899	2	2	1(0)	2	2	2	2	2	2	2	2	3	4	4	4	4	4	4	4	4	4	4	4	4	4	4	4	4	5	5	5	5	5	5	5	5
TYNSET	2452-2599	3	2	2	1(0)	2	2	3	3	3	3	3	3	4	4	4	4	4	4	4	4	4	4	4	4	4	4	4	3	5	5	5	5	5	5	5	5
OTTA	2630-2699	3	2	2	2	1(0)	2	3	3	3	3	3	3	4	4	4	4	4	4	4	4	4	4	4	4	4	4	4	3	5	5	5	5	5	5	5	5
FAGERNES	2900-2999	2	2	2	2	1(0)	3	2	2	2	2	3	3	4	4	4	4	4	4	4	4	4	4	4	4	4	4	4	5	5	5	5	5	5	5	5	5
SARPSBORG	1500-1899	2	2	2	3	3	3	1(0)	2	2	2	2	2	3	4	4	4	4	4	4	4	4	4	4	4	4	4	4	5	5	5	5	5	5	5	5	5
DRAMMEN	3000-3079/3300-3499	2	2	2	3	3	2	2	1(0)	2	2	2	2	3	3	4	3	4	4	3	4	4	4	4	4	4	4	4	3	5	5	5	5	5	5	5	5
HØNEFOSS	2700-2799/3500-3599	2	2	2	3	3	2	2	2	1(0)	2	2	2	3	4	4	4	4	4	4	4	4	4	4	4	4	4	4	5	5	5	5	5	5	5	5	5
KONGSBERG	3600-3699	2	2	2	3	3	2	2	2	2	1(0)	2	2	3	3	4	4	4	4	4	4	4	4	4	4	4	4	4	5	5	5	5	5	5	5	5	5
TØNSBERG	3080-3299	2	2	2	3	3	3	2	2	2	2	1(0)	2	3	3	3	4	4	4	4	4	4	4	4	4	4	4	4	5	5	5	5	5	5	5	5	5
SKIEN	3700-3999	2	2	3	3	3	3	2	2	2	2	2	1(0)	3	3	3	4	4	4	4	4	4	4	4	4	4	4	4	5	5	5	5	5	5	5	5	5
ARENDAL	4800-4999	3	3	4	4	4	4	3	3	3	3	3	3	1(0)	2	2	3	4	4	4	4	4	4	4	4	4	4	4	5	5	5	5	5	5	5	5	5
KRISTIANSAND	4600-4799	3	3	4	4	4	4	4	3	4	3	3	3	2	1(0)	2	3	4	4	3	4	4	4	4	4	4	4	4	5	5	5	5	5	5	5	5	5
FLEKKEFJORD	4400-4599	4	4	4	4	4	4	4	4	4	4	3	3	2	2	1(0)	2	3	4	4	4	4	4	4	4	4	4	4	5	5	5	5	5	5	5	5	5
STAVANGER	4000-4199/4300-4399	3	4	4	4	4	4	4	3	4	4	4	4	3	3	2	1(0)	2	3	3	3	4	4	4	4	4	4	4	5	5	5	5	5	5	5	5	5
HAUGESUND	4200-4299/5400-5599	4	4	4	4	4	4	4	4	4	4	4	4	4	4	3	2	1(0)	2	2	2	4	4	4	4	4	4	4	5	5	5	5	5	5	5	5	5
NORHEIMSUND	5600-5699	4	4	4	4	4	4	4	4	4	4	4	4	4	4	3	2	1(0)	2	2	3	4	3	4	4	4	4	4	5	5	5	5	5	5	5	5	5
BERGEN	5000-5399/5800-5999	3	4	4	4	4	4	4	3	4	4	4	4	4	3	4	3	2	2	1(0)	2	3	3	4	4	4	4	4	5	5	5	5	5	5	5	5	5
VOSS	5700-5799	4	4	4	4	4	4	4	4	4	4	4	4	4	4	3	2	2	2	1(0)	3	4	2	4	4	4	4	4	5	5	5	5	5	5	5	5	5
FLORØ	6800-6849/6900-6999	4	4	4	4	4	4	4	4	4	4	4	4	4	4	4	4	4	4	3	3	3	1(0)	2	2	3	4	4	4	4	4	5	5	5	5	5	5
VOLDA	6100-6199/6700-6799	4	4	4	4	4	4	4	4	4	4	4	4	4	4	4	4	4	4	4	3	4	2	1(0)	3	2	3	4	4	4	5	5	5	5	5	5	5
SOGNDAL	6850-6899	4	4	4	4	4	4	4	4	4	4	4	4	4	4	4	4	4	4	3	3	2	2	3	1(0)	3	4	4	4	5	5	5	5	5	5	5	5
ÅLESUND	6000-6099/6200-6299	4	4	4	4	4	4	4	4	4	4	4	4	4	4	4	4	4	4	4	3	2	3	1(0)	2	3	4	4	5	5	5	5	5	5	5	5	
MOLDE	6300-6499	4	4	4	4	4	4	4	4	4	4	4	4	4	4	4	4	4	4	4	3	4	2	1(0)	2	4	4	5	5	5	5	5	5	5	5	5	
KRISTIANSUND	6500-6699	4	4	4	4	4	4	4	4	4	4	4	4	4	4	4	4	4	4	4	4	4	4	4	4	4	4	3	2	1(0)	4	3	5	5	5	5	5
STEINKJER	7600-7999	4	4	4	4	4	4	4	4	4	4	4	4	4	4	4	4	4	4	4	4	4	4	4	4	4	4	4	1(0)	2	4	4	5	5	5	5	
TRONDHEIM	7000-7599	3	4	4	3	3	4	4	3	4	4	4	4	4	4	4	4	4	4	4	4	4	4	4	4	4	4	3	2	1(0)	4	4	5	5	5	5	
FAUSKE	8000-8299	5	5	5	5	5	5	5	5	5	5	5	5	5	5	5	5	5	5	5	5	5	5	5	5	5	5	4	4	1(0)	4	4	4	2	4	4	
MOSJØEN	8600-8999	5	5	5	5	5	5	5	5	5	5	5	5	5	5	5	5	5	5	5	5	5	5	5	5	5	5	4	4	4	1(0)	4	4	4	4	4	
TROMSØ	9000-9299	5	5	5	5	5	5	5	5	5	5	5	5	5	5	5	5	5	5	5	5	5	5	5	5	5	5	4	4	1(0)	2	2	4	4	4		
FINNSNES	9300-9399	5	5	5	5	5	5	5	5	5	5	5	5	5	5	5	5	5	5	5	5	5	5	5	5	5	5	4	4	2	1(0)	2	4	4	4		
HARSTAD	8300-8599/9400-9499	5	5	5	5	5	5	5	5	5	5	5	5	5	5	5	5	5	5	5	5	5	5	5	5	5	5	5	2	4	2	2	1(0)	4	4		
ALTA	9500-9669	5	5	5	5	5	5	5	5	5	5	5	5	5	5	5	5	5	5	5	5	5	5	5	5	5	5	4	4	4	4	4	4	1(0)	2		
LAKSELV	9670-9799	5	5	5	5	5	5	5	5	5	5	5	5	5	5	5	5	5	5	5	5	5	5	5	5	5	5	4	4	4	4	4	4	2	1(0)		
KIRKENES	9800-9999	5	5	5	5	5	5	5	5	5	5	5	5	5	5	5	5	5	5	5	5	5	5	5	5	5	5	4	4	4	4	4	2	2	1(0)		

### ■ ■ Location register with zones Business Parcel Express Overnight

Postal code	Location	Terminal name	Zones out	Postal code	Location	Terminal name	Zones out
0010	OSLO	OSLO	1	0191	OSLO	OSLO	1
0015	OSLO	OSLO	1	0192	OSLO	OSLO	1
0018	OSLO	OSLO	1	0193	OSLO	OSLO	1
0026	OSLO	OSLO	1	0194	OSLO	OSLO	1
0037	OSLO	OSLO	0	0195	OSLO	OSLO	1
0045	OSLO	OSLO	1	0196	OSLO	OSLO	1
0050	OSLO	OSLO	1	0198	OSLO	OSLO	1
0139	OSLO	OSLO	1	0250	OSLO	OSLO	1
0150	OSLO	OSLO	1	0251	OSLO	OSLO	1
0151	OSLO	OSLO	1	0252	OSLO	OSLO	1
0152	OSLO	OSLO	1	0253	OSLO	OSLO	1
0153	OSLO	OSLO	1	0254	OSLO	OSLO	1
0154	OSLO	OSLO	1	0255	OSLO	OSLO	1
0155	OSLO	OSLO	1	0256	OSLO	OSLO	1
0157	OSLO	OSLO	1	0257	OSLO	OSLO	1
0158	OSLO	OSLO	1	0258	OSLO	OSLO	1
0159	OSLO	OSLO	1	0259	OSLO	OSLO	1
0160	OSLO	OSLO	1	0260	OSLO	OSLO	1
0161	OSLO	OSLO	1	0262	OSLO	OSLO	1
0162	OSLO	OSLO	1	0263	OSLO	OSLO	1
0164	OSLO	OSLO	1	0264	OSLO	OSLO	1
0165	OSLO	OSLO	1	0265	OSLO	OSLO	1
0166	OSLO	OSLO	1	0266	OSLO	OSLO	1
0167	OSLO	OSLO	1	0267	OSLO	OSLO	1
0168	OSLO	OSLO	1	0268	OSLO	OSLO	1
0169	OSLO	OSLO	1	0270	OSLO	OSLO	1
0170	OSLO	OSLO	1	0271	OSLO	OSLO	1
0171	OSLO	OSLO	1	0272	OSLO	OSLO	1
0172	OSLO	OSLO	1	0273	OSLO	OSLO	1
0173	OSLO	OSLO	1	0274	OSLO	OSLO	1
0174	OSLO	OSLO	1	0275	OSLO	OSLO	1
0175	OSLO	OSLO	1	0276	OSLO	OSLO	1
0176	OSLO	OSLO	1	0277	OSLO	OSLO	1
0177	OSLO	OSLO	1	0278	OSLO	OSLO	1
0178	OSLO	OSLO	1	0279	OSLO	OSLO	1
0179	OSLO	OSLO	1	0280	OSLO	OSLO	1
0180	OSLO	OSLO	1	0281	OSLO	OSLO	1
0181	OSLO	OSLO	1	0282	OSLO	OSLO	1
0182	OSLO	OSLO	1	0283	OSLO	OSLO	1
0183	OSLO	OSLO	1	0284	OSLO	OSLO	1
0184	OSLO	OSLO	1	0286	OSLO	OSLO	1
0185	OSLO	OSLO	1	0287	OSLO	OSLO	1
0186	OSLO	OSLO	1	0340	OSLO	OSLO	1
0187	OSLO	OSLO	1	0349	OSLO	OSLO	1
0188	OSLO	OSLO	1	0350	OSLO	OSLO	1
0190	OSLO	OSLO	1	0351	OSLO	OSLO	1

### ■ ■ Location register with zones Business Parcel Express Overnight

Postal code	Location	Terminal name	Zones out	Postal code	Location	Terminal name	Zones out
0352	OSLO	OSLO	1	0464	OSLO	OSLO	1
0353	OSLO	OSLO	1	0465	OSLO	OSLO	1
0354	OSLO	OSLO	1	0467	OSLO	OSLO	1
0355	OSLO	OSLO	1	0468	OSLO	OSLO	1
0356	OSLO	OSLO	1	0469	OSLO	OSLO	1
0357	OSLO	OSLO	1	0470	OSLO	OSLO	1
0358	OSLO	OSLO	1	0472	OSLO	OSLO	1
0359	OSLO	OSLO	1	0473	OSLO	OSLO	1
0360	OSLO	OSLO	1	0474	OSLO	OSLO	1
0361	OSLO	OSLO	1	0475	OSLO	OSLO	1
0362	OSLO	OSLO	1	0476	OSLO	OSLO	1
0363	OSLO	OSLO	1	0477	OSLO	OSLO	1
0364	OSLO	OSLO	1	0478	OSLO	OSLO	1
0365	OSLO	OSLO	1	0479	OSLO	OSLO	1
0366	OSLO	OSLO	1	0480	OSLO	OSLO	1
0367	OSLO	OSLO	1	0481	OSLO	OSLO	1
0368	OSLO	OSLO	1	0482	OSLO	OSLO	1
0369	OSLO	OSLO	1	0483	OSLO	OSLO	1
0370	OSLO	OSLO	1	0484	OSLO	OSLO	1
0371	OSLO	OSLO	1	0485	OSLO	OSLO	1
0372	OSLO	OSLO	1	0486	OSLO	OSLO	1
0373	OSLO	OSLO	1	0487	OSLO	OSLO	1
0374	OSLO	OSLO	1	0488	OSLO	OSLO	1
0375	OSLO	OSLO	1	0489	OSLO	OSLO	1
0376	OSLO	OSLO	1	0490	OSLO	OSLO	1
0377	OSLO	OSLO	1	0491	OSLO	OSLO	1
0378	OSLO	OSLO	1	0492	OSLO	OSLO	1
0379	OSLO	OSLO	1	0493	OSLO	OSLO	1
0380	OSLO	OSLO	1	0494	OSLO	OSLO	1
0381	OSLO	OSLO	1	0495	OSLO	OSLO	1
0382	OSLO	OSLO	1	0496	OSLO	OSLO	1
0383	OSLO	OSLO	1	0550	OSLO	OSLO	1
0445	OSLO	OSLO	1	0551	OSLO	OSLO	1
0450	OSLO	OSLO	1	0552	OSLO	OSLO	1
0451	OSLO	OSLO	1	0553	OSLO	OSLO	1
0452	OSLO	OSLO	1	0554	OSLO	OSLO	1
0454	OSLO	OSLO	1	0555	OSLO	OSLO	1
0455	OSLO	OSLO	1	0556	OSLO	OSLO	1
0456	OSLO	OSLO	1	0557	OSLO	OSLO	1
0457	OSLO	OSLO	1	0558	OSLO	OSLO	1
0458	OSLO	OSLO	1	0559	OSLO	OSLO	1
0459	OSLO	OSLO	1	0560	OSLO	OSLO	1
0460	OSLO	OSLO	1	0561	OSLO	OSLO	1
0461	OSLO	OSLO	1	0562	OSLO	OSLO	1
0462	OSLO	OSLO	1	0563	OSLO	OSLO	1
0463	OSLO	OSLO	1	0564	OSLO	OSLO	1

### ■ ■ Location register with zones Business Parcel Express Overnight

Postal code	Location	Terminal name	Zones out	Postal code	Location	Terminal name	Zones out
0565	OSLO	OSLO	1	0662	OSLO	OSLO	1
0566	OSLO	OSLO	1	0663	OSLO	OSLO	1
0567	OSLO	OSLO	1	0664	OSLO	OSLO	1
0568	OSLO	OSLO	1	0665	OSLO	OSLO	1
0569	OSLO	OSLO	1	0666	OSLO	OSLO	1
0570	OSLO	OSLO	1	0667	OSLO	OSLO	1
0571	OSLO	OSLO	1	0668	OSLO	OSLO	1
0572	OSLO	OSLO	1	0669	OSLO	OSLO	1
0573	OSLO	OSLO	1	0670	OSLO	OSLO	1
0574	OSLO	OSLO	1	0671	OSLO	OSLO	1
0575	OSLO	OSLO	1	0672	OSLO	OSLO	1
0576	OSLO	OSLO	1	0673	OSLO	OSLO	1
0577	OSLO	OSLO	1	0674	OSLO	OSLO	1
0578	OSLO	OSLO	1	0675	OSLO	OSLO	1
0579	OSLO	OSLO	1	0676	OSLO	OSLO	1
0580	OSLO	OSLO	1	0677	OSLO	OSLO	1
0581	OSLO	OSLO	1	0678	OSLO	OSLO	1
0582	OSLO	OSLO	1	0679	OSLO	OSLO	1
0583	OSLO	OSLO	1	0680	OSLO	OSLO	1
0584	OSLO	OSLO	1	0681	OSLO	OSLO	1
0585	OSLO	OSLO	1	0682	OSLO	OSLO	1
0586	OSLO	OSLO	1	0683	OSLO	OSLO	1
0587	OSLO	OSLO	1	0684	OSLO	OSLO	1
0588	OSLO	OSLO	1	0685	OSLO	OSLO	1
0589	OSLO	OSLO	1	0686	OSLO	OSLO	1
0590	OSLO	OSLO	1	0687	OSLO	OSLO	1
0591	OSLO	OSLO	1	0688	OSLO	OSLO	1
0592	OSLO	OSLO	1	0689	OSLO	OSLO	1
0593	OSLO	OSLO	1	0690	OSLO	OSLO	1
0594	OSLO	OSLO	1	0691	OSLO	OSLO	1
0595	OSLO	OSLO	1	0692	OSLO	OSLO	1
0596	OSLO	OSLO	1	0693	OSLO	OSLO	1
0597	OSLO	OSLO	1	0694	OSLO	OSLO	1
0598	OSLO	OSLO	1	0750	OSLO	OSLO	1
0650	OSLO	OSLO	1	0751	OSLO	OSLO	1
0651	OSLO	OSLO	1	0752	OSLO	OSLO	1
0652	OSLO	OSLO	1	0753	OSLO	OSLO	1
0653	OSLO	OSLO	1	0754	OSLO	OSLO	1
0654	OSLO	OSLO	1	0755	OSLO	OSLO	1
0655	OSLO	OSLO	1	0756	OSLO	OSLO	1
0656	OSLO	OSLO	1	0757	OSLO	OSLO	1
0657	OSLO	OSLO	1	0758	OSLO	OSLO	1
0658	OSLO	OSLO	1	0760	OSLO	OSLO	1
0659	OSLO	OSLO	1	0763	OSLO	OSLO	1
0660	OSLO	OSLO	1	0764	OSLO	OSLO	1
0661	OSLO	OSLO	1	0765	OSLO	OSLO	1

### ■ ■ Location register with zones Business Parcel Express Overnight

Postal code	Location	Terminal name	Zones out	Postal code	Location	Terminal name	Zones out
0766	OSLO	OSLO	1	0880	OSLO	OSLO	1
0767	OSLO	OSLO	1	0881	OSLO	OSLO	1
0768	OSLO	OSLO	1	0882	OSLO	OSLO	1
0770	OSLO	OSLO	1	0883	OSLO	OSLO	1
0771	OSLO	OSLO	1	0884	OSLO	OSLO	1
0772	OSLO	OSLO	1	0890	OSLO	OSLO	1
0773	OSLO	OSLO	1	0891	OSLO	OSLO	1
0774	OSLO	OSLO	1	0950	OSLO	OSLO	1
0775	OSLO	OSLO	1	0951	OSLO	OSLO	1
0776	OSLO	OSLO	1	0952	OSLO	OSLO	1
0777	OSLO	OSLO	1	0953	OSLO	OSLO	1
0778	OSLO	OSLO	1	0954	OSLO	OSLO	1
0779	OSLO	OSLO	1	0955	OSLO	OSLO	1
0781	OSLO	OSLO	1	0956	OSLO	OSLO	1
0782	OSLO	OSLO	1	0957	OSLO	OSLO	1
0783	OSLO	OSLO	1	0958	OSLO	OSLO	1
0784	OSLO	OSLO	1	0959	OSLO	OSLO	1
0785	OSLO	OSLO	1	0960	OSLO	OSLO	1
0786	OSLO	OSLO	1	0962	OSLO	OSLO	1
0787	OSLO	OSLO	1	0963	OSLO	OSLO	1
0788	OSLO	OSLO	1	0964	OSLO	OSLO	1
0789	OSLO	OSLO	1	0968	OSLO	OSLO	1
0790	OSLO	OSLO	1	0969	OSLO	OSLO	1
0791	OSLO	OSLO	1	0970	OSLO	OSLO	1
0850	OSLO	OSLO	1	0971	OSLO	OSLO	1
0851	OSLO	OSLO	1	0972	OSLO	OSLO	1
0852	OSLO	OSLO	1	0973	OSLO	OSLO	1
0853	OSLO	OSLO	1	0975	OSLO	OSLO	1
0854	OSLO	OSLO	1	0976	OSLO	OSLO	1
0855	OSLO	OSLO	1	0977	OSLO	OSLO	1
0856	OSLO	OSLO	1	0978	OSLO	OSLO	1
0857	OSLO	OSLO	1	0979	OSLO	OSLO	1
0858	OSLO	OSLO	1	0980	OSLO	OSLO	1
0860	OSLO	OSLO	1	0981	OSLO	OSLO	1
0861	OSLO	OSLO	1	0982	OSLO	OSLO	1
0862	OSLO	OSLO	1	0983	OSLO	OSLO	1
0863	OSLO	OSLO	1	0984	OSLO	OSLO	1
0864	OSLO	OSLO	1	0985	OSLO	OSLO	1
0870	OSLO	OSLO	1	0986	OSLO	OSLO	1
0871	OSLO	OSLO	1	0987	OSLO	OSLO	1
0872	OSLO	OSLO	1	0988	OSLO	OSLO	1
0873	OSLO	OSLO	1	1051	OSLO	OSLO	1
0874	OSLO	OSLO	1	1052	OSLO	OSLO	1
0875	OSLO	OSLO	1	1053	OSLO	OSLO	1
0876	OSLO	OSLO	1	1054	OSLO	OSLO	1
0877	OSLO	OSLO	1	1055	OSLO	OSLO	1

### Location register with zones Business Parcel Express Overnight

Postal code	Location	Terminal name	Zones out	Postal code	Location	Terminal name	Zones out
1056	OSLO	OSLO	1	1187	OSLO	OSLO	1
1061	OSLO	OSLO	1	1188	OSLO	OSLO	1
1062	OSLO	OSLO	1	1189	OSLO	OSLO	1
1063	OSLO	OSLO	1	1250	OSLO	OSLO	1
1064	OSLO	OSLO	1	1251	OSLO	OSLO	1
1065	OSLO	OSLO	1	1252	OSLO	OSLO	1
1067	OSLO	OSLO	1	1253	OSLO	OSLO	1
1068	OSLO	OSLO	1	1254	OSLO	OSLO	1
1069	OSLO	OSLO	1	1255	OSLO	OSLO	1
1071	OSLO	OSLO	1	1256	OSLO	OSLO	1
1081	OSLO	OSLO	1	1257	OSLO	OSLO	1
1083	OSLO	OSLO	1	1258	OSLO	OSLO	1
1084	OSLO	OSLO	1	1259	OSLO	OSLO	1
1086	OSLO	OSLO	1	1262	OSLO	OSLO	1
1087	OSLO	OSLO	1	1263	OSLO	OSLO	1
1088	OSLO	OSLO	1	1266	OSLO	OSLO	1
1089	OSLO	OSLO	1	1270	OSLO	OSLO	1
1150	OSLO	OSLO	1	1271	OSLO	OSLO	1
1151	OSLO	OSLO	1	1272	OSLO	OSLO	1
1152	OSLO	OSLO	1	1273	OSLO	OSLO	1
1153	OSLO	OSLO	1	1274	OSLO	OSLO	1
1154	OSLO	OSLO	1	1275	OSLO	OSLO	1
1155	OSLO	OSLO	1	1278	OSLO	OSLO	1
1156	OSLO	OSLO	1	1279	OSLO	OSLO	1
1157	OSLO	OSLO	1	1281	OSLO	OSLO	1
1158	OSLO	OSLO	1	1283	OSLO	OSLO	1
1160	OSLO	OSLO	1	1284	OSLO	OSLO	1
1161	OSLO	OSLO	1	1285	OSLO	OSLO	1
1162	OSLO	OSLO	1	1286	OSLO	OSLO	1
1163	OSLO	OSLO	1	1290	OSLO	OSLO	1
1164	OSLO	OSLO	1	1291	OSLO	OSLO	1
1165	OSLO	OSLO	1	1294	OSLO	OSLO	1
1166	OSLO	OSLO	1	1295	OSLO	OSLO	1
1167	OSLO	OSLO	1	1311	HØVIKODDEN	OSLO	1
1168	OSLO	OSLO	1	1336	SANDVIKA	OSLO	1
1169	OSLO	OSLO	1	1337	SANDVIKA	OSLO	1
1170	OSLO	OSLO	1	1338	SANDVIKA	OSLO	1
1172	OSLO	OSLO	1	1339	VØYENENGA	OSLO	1
1176	OSLO	OSLO	1	1340	SKUI	OSLO	1
1177	OSLO	OSLO	1	1341	SLEPENDEN	OSLO	1
1178	OSLO	OSLO	1	1344	HASLUM	OSLO	1
1179	OSLO	OSLO	1	1346	GJETTUM	OSLO	1
1181	OSLO	OSLO	1	1348	RYKKINN	OSLO	1
1182	OSLO	OSLO	1	1349	RYKKINN	OSLO	1
1184	OSLO	OSLO	1	1350	LOMMEDALEN	OSLO	0
1185	OSLO	OSLO	1	1351	RUD	OSLO	1

### Location register with zones Business Parcel Express Overnight

Postal code	Location	Terminal name	Zones out	Postal code	Location	Terminal name	Zones out
1352	KOLSÅS	OSLO	1	1434	ÅS	OSLO	1
1353	BÆRUMS VERK	OSLO	0	1435	ÅS	OSLO	1
1354	BÆRUMS VERK	OSLO	0	1440	DRØBAK	OSLO	1
1356	BEKKESTUA	OSLO	1	1443	DRØBAK	OSLO	1
1357	BEKKESTUA	OSLO	1	1444	DRØBAK	OSLO	1
1358	JAR	OSLO	1	1445	DRØBAK	OSLO	1
1359	EIKSMARKA	OSLO	1	1446	DRØBAK	OSLO	1
1360	FORNEBU	OSLO	1	1447	DRØBAK	OSLO	1
1361	ØSTERÅS	OSLO	1	1448	DRØBAK	OSLO	1
1362	HOSLE	OSLO	1	1449	DRØBAK	OSLO	1
1363	HØVIK	OSLO	1	1450	NESODDTANGEN	OSLO	1
1364	FORNEBU	OSLO	1	1452	NESODDTANGEN	OSLO	1
1365	BLOMMENHOLM	OSLO	1	1453	BJØRNEMYR	OSLO	1
1366	LYSAKER	OSLO	1	1454	FAGERSTRAND	OSLO	1
1367	SNARØYA	OSLO	1	1455	NORDRE FROGN	OSLO	1
1368	STABEKK	OSLO	1	1456	NESODDTANGEN	OSLO	1
1369	STABEKK	OSLO	1	1458	FJELLSTRAND	OSLO	1
1383	ASKER	OSLO	1	1459	NESODDEN	OSLO	1
1384	ASKER	OSLO	1	1465	STRØMMEN	OSLO	1
1385	ASKER	OSLO	1	1466	STRØMMEN	OSLO	1
1386	ASKER	OSLO	1	1467	STRØMMEN	OSLO	1
1387	ASKER	OSLO	1	1470	LØRENSKOG	OSLO	1
1388	BORGEN	OSLO	1	1472	FJELLHAMAR	OSLO	1
1389	HEGGEDAL	OSLO	0	1473	LØRENSKOG	OSLO	1
1390	VOLLEN	OSLO	0	1474	NORDBYHAGEN	OSLO	1
1391	VOLLEN	OSLO	0	1475	FINSTADJORDET	OSLO	1
1392	VETTRE	OSLO	1	1476	RASTA	OSLO	1
1394	NESBRU	OSLO	1	1479	KURLAND	OSLO	1
1395	HVALSTAD	OSLO	1	1480	SLATTUM	OSLO	0
1396	BILLINGSTAD	OSLO	1	1481	HAGAN	OSLO	0
1397	NESØYA	OSLO	1	1482	NITTEDAL	OSLO	0
1400	SKI	OSLO	1	1484	HAKADAL	OSLO	0
1404	SIGGERUD	OSLO	0	1487	HAKADAL	OSLO	0
1405	LANGHUS	OSLO	1	1488	HAKADAL	OSLO	0
1406	SKI	OSLO	1	1511	MOSS	SARPSBORG	1
1407	VINTERBRO	OSLO	0	1512	MOSS	SARPSBORG	1
1408	KRÅKSTAD	OSLO	0	1513	MOSS	SARPSBORG	1
1409	SKOTBU	OSLO	0	1514	MOSS	SARPSBORG	0
1410	KOLBOTN	OSLO	1	1515	MOSS	SARPSBORG	1
1412	SOFIEMYR	OSLO	1	1516	MOSS	SARPSBORG	1
1413	TÅRNÅSEN	OSLO	1	1517	MOSS	SARPSBORG	1
1414	TROLLÅSEN	OSLO	1	1518	MOSS	SARPSBORG	1
1415	OPPEGÅRD	OSLO	1	1519	MOSS	SARPSBORG	1
1420	SVARTSKOG	OSLO	1	1523	MOSS	SARPSBORG	1
1430	ÅS	OSLO	1	1524	MOSS	SARPSBORG	1
1433	ÅS	OSLO	1	1525	MOSS	SARPSBORG	1

### Location register with zones Business Parcel Express Overnight

Postal code	Location	Terminal name	Zones out	Postal code	Location	Terminal name	Zones out
1526	MOSS	SARPSBORG	1	1632	GAMLE FREDRIKSTAD	SARPSBORG	1
1528	MOSS	SARPSBORG	1	1633	GAMLE FREDRIKSTAD	SARPSBORG	1
1529	MOSS	SARPSBORG	1	1634	GAMLE FREDRIKSTAD	SARPSBORG	0
1530	MOSS	SARPSBORG	1	1636	GAMLE FREDRIKSTAD	SARPSBORG	1
1531	MOSS	SARPSBORG	1	1637	GAMLE FREDRIKSTAD	SARPSBORG	1
1532	MOSS	SARPSBORG	1	1639	GAMLE FREDRIKSTAD	SARPSBORG	1
1533	MOSS	SARPSBORG	1	1640	RÅDE	SARPSBORG	0
1534	MOSS	SARPSBORG	1	1642	SALTNES	SARPSBORG	1
1535	MOSS	SARPSBORG	1	1651	SELLEBAKK	SARPSBORG	1
1536	MOSS	SARPSBORG	1	1653	SELLEBAKK	SARPSBORG	1
1537	MOSS	SARPSBORG	1	1654	SELLEBAKK	SARPSBORG	1
1538	MOSS	SARPSBORG	1	1655	SELLEBAKK	SARPSBORG	0
1539	MOSS	SARPSBORG	1	1657	TORP	SARPSBORG	1
1540	VESTBY	SARPSBORG	0	1658	TORP	SARPSBORG	1
1545	HVITSTEN	SARPSBORG	1	1659	TORP	SARPSBORG	1
1550	HØLEN	SARPSBORG	1	1661	ROLVSØY	SARPSBORG	1
1555	SON	SARPSBORG	1	1663	ROLVSØY	SARPSBORG	1
1560	LARKOLLEN	SARPSBORG	1	1664	ROLVSØY	SARPSBORG	1
1570	DILLING	SARPSBORG	0	1665	ROLVSØY	SARPSBORG	1
1580	RYGGE	SARPSBORG	1	1666	ROLVSØY	SARPSBORG	1
1591	SPERREBOTN	SARPSBORG	1	1667	ROLVSØY	SARPSBORG	0
1592	VÅLER I ØSTFOLD	SARPSBORG	1	1671	KRÅKERØY	SARPSBORG	1
1593	SVINNDAL	SARPSBORG	1	1672	KRÅKERØY	SARPSBORG	1
1596	MOSS	SARPSBORG	1	1673	KRÅKERØY	SARPSBORG	1
1597	MOSS	SARPSBORG	1	1675	KRÅKERØY	SARPSBORG	0
1598	MOSS	SARPSBORG	1	1676	KRÅKERØY	SARPSBORG	0
1599	MOSS	SARPSBORG	1	1678	KRÅKERØY	SARPSBORG	1
1604	FREDRIKSTAD	SARPSBORG	1	1679	KRÅKERØY	SARPSBORG	1
1605	FREDRIKSTAD	SARPSBORG	1	1680	SKJÆRHALDEN	SARPSBORG	1
1606	FREDRIKSTAD	SARPSBORG	1	1684	VESTERØY	SARPSBORG	1
1607	FREDRIKSTAD	SARPSBORG	1	1690	HERFØL	SARPSBORG	1
1608	FREDRIKSTAD	SARPSBORG	1	1692	NEDGÅRDEN	SARPSBORG	1
1610	FREDRIKSTAD	SARPSBORG	1	1706	SARPSBORG	SARPSBORG	1
1613	FREDRIKSTAD	SARPSBORG	1	1707	SARPSBORG	SARPSBORG	1
1614	FREDRIKSTAD	SARPSBORG	1	1708	SARPSBORG	SARPSBORG	0
1615	FREDRIKSTAD	SARPSBORG	0	1709	SARPSBORG	SARPSBORG	1
1617	FREDRIKSTAD	SARPSBORG	1	1710	SARPSBORG	SARPSBORG	1
1618	FREDRIKSTAD	SARPSBORG	1	1711	SARPSBORG	SARPSBORG	1
1619	FREDRIKSTAD	SARPSBORG	1	1712	GRÅLUM	SARPSBORG	1
1621	GRESSVIK	SARPSBORG	1	1714	GRÅLUM	SARPSBORG	0
1622		SARPSBORG	1	1715	YVEN	SARPSBORG	1
1623		SARPSBORG	1	1718	GREÅKER	SARPSBORG	1
1624	GRESSVIK	SARPSBORG	1	1719	GREÅKER	SARPSBORG	1
1626	MANSTAD	SARPSBORG	1	1721	SARPSBORG	SARPSBORG	1
1628	ENGELSVIKEN	SARPSBORG	1	1722	SARPSBORG	SARPSBORG	1
1630	GAMLE FREDRIKSTAD	SARPSBORG	1	1723	SARPSBORG	SARPSBORG	1

### Location register with zones Business Parcel Express Overnight

Postal code	Location	Terminal name	Zones out	Postal code	Location	Terminal name	Zones out
1724	SARPSBORG	SARPSBORG	1	1815	ASKIM	SARPSBORG	1
1725	SARPSBORG	SARPSBORG	1	1816	SKIPTVET	SARPSBORG	1
1726	SARPSBORG	SARPSBORG	1	1820	SPYDEBERG	SARPSBORG	1
1727	SARPSBORG	SARPSBORG	1	1821		SARPSBORG	1
1730	ISE	SARPSBORG	0	1823	KNAPSTAD	SARPSBORG	1
1734	HAFSLUNDSØY	SARPSBORG	1	1825	TOMTER	SARPSBORG	1
1735	VARTEIG	SARPSBORG	0	1827	HOBØL	SARPSBORG	1
1738	BORGENHAUGEN	SARPSBORG	1	1830	ASKIM	SARPSBORG	1
1739	BORGENHAUGEN	SARPSBORG	1	1831	ASKIM	SARPSBORG	1
1743	KLAVESTADHAUGEN	SARPSBORG	0	1832	ASKIM	SARPSBORG	1
1746	SKJEBERG	SARPSBORG	0	1850	MYSEN	SARPSBORG	1
1747	SKJEBERG	SARPSBORG	0	1852		SARPSBORG	1
1763	HALDEN	SARPSBORG	0	1859	SLITU	SARPSBORG	1
1764	HALDEN	SARPSBORG	0	1860	TRØGSTAD	SARPSBORG	1
1765	HALDEN	SARPSBORG	0	1866	BÅSTAD	SARPSBORG	1
1766	HALDEN	SARPSBORG	0	1870	ØRJE	SARPSBORG	1
1767	HALDEN	SARPSBORG	1	1875	OTTEID	SARPSBORG	1
1768	HALDEN	SARPSBORG	1	1878	HÆRLAND	SARPSBORG	1
1769	HALDEN	SARPSBORG	1	1880	EIDSBERG	SARPSBORG	1
1771	HALDEN	SARPSBORG	1	1890	RAKKESTAD	SARPSBORG	1
1772	HALDEN	SARPSBORG	1	1892	DEGERNES	SARPSBORG	1
1776	HALDEN	SARPSBORG	1	1894		SARPSBORG	1
1777	HALDEN	SARPSBORG	1	1900	FETSUND	OSLO	0
1778	HALDEN	SARPSBORG	1	1903	GAN	OSLO	1
1779	HALDEN	SARPSBORG	1	1910	ENEBAKNESET	OSLO	1
1781	HALDEN	SARPSBORG	1	1911	FLATEBY	OSLO	1
1782	HALDEN	SARPSBORG	1	1912	ENEBAKK	OSLO	1
1783	HALDEN	SARPSBORG	1	1914	YTRE ENEBAKK	OSLO	1
1784	HALDEN	SARPSBORG	1	1920	SØRUMSAND	OSLO	1
1785	HALDEN	SARPSBORG	1	1923	SØRUM	OSLO	1
1786	HALDEN	SARPSBORG	1	1925	BLAKER	OSLO	1
1788	HALDEN	SARPSBORG	1	1927	RÅNÅSFOSS	OSLO	1
1789	BERG I ØSTFOLD	SARPSBORG	0	1929	AULI	OSLO	1
1791	TISTEDAL	SARPSBORG	1	1930	AURSKOG	OSLO	1
1792	TISTEDAL	SARPSBORG	1	1940	BJØRKELANGEN	OSLO	1
1793	TISTEDAL	SARPSBORG	1	1950	RØMSKOG	OSLO	1
1794	SPONVIKA	SARPSBORG	1	1954	SETSKOG	OSLO	1
1796	KORNSJØ	SARPSBORG	1	1960	LØKEN	OSLO	1
1798	AREMARK	SARPSBORG	1	1963	FOSSER	OSLO	1
1807	ASKIM	SARPSBORG	1	1970	HEMNES	OSLO	1
1808	ASKIM	SARPSBORG	1	2000	LILLESTRØM	OSLO	1
1809	ASKIM	SARPSBORG	1	2003	LILLESTRØM	OSLO	1
1811	ASKIM	SARPSBORG	1	2004	LILLESTRØM	OSLO	1
1812	ASKIM	SARPSBORG	1	2005	RÆLINGEN	OSLO	0
1813	ASKIM	SARPSBORG	1	2006	LØVENSTAD	OSLO	0
1814	ASKIM	SARPSBORG	1	2007	KJELLER	OSLO	1

### Location register with zones Business Parcel Express Overnight

Postal code	Location	Terminal name	Zones out	Postal code	Location	Terminal name	Zones out
2008	FJERDINGBY	OSLO	1	2160	VORMSUND	KONGSVINGER	1
2009	NORDBY	OSLO	1	2162	BRÅRUD	KONGSVINGER	1
2010	STRØMMEN	OSLO	1	2164	SKOGBYGDA	KONGSVINGER	1
2013	SKJETTEN	OSLO	1	2165	HVAM	KONGSVINGER	1
2014	BLYSTADLIA	OSLO	0	2166	OPPAKER	KONGSVINGER	1
2015	LEIRSUND	OSLO	1	2170	FENSTAD	KONGSVINGER	1
2016	FROGNER	OSLO	1	2208	KONGSVINGER	KONGSVINGER	1
2019	SKEDSMOKORSET	OSLO	1	2209	KONGSVINGER	KONGSVINGER	1
2020	SKEDSMOKORSET	OSLO	1	2210	GRANLI	KONGSVINGER	1
2022	GJERDRUM	OSLO	1	2211	KONGSVINGER	KONGSVINGER	1
2030	NANNESTAD	OSLO	1	2212	KONGSVINGER	KONGSVINGER	1
2032	MAURA	OSLO	1	2213	KONGSVINGER	KONGSVINGER	1
2033	ÅSGREINA	OSLO	1	2214	KONGSVINGER	KONGSVINGER	1
2034	HOLTER	OSLO	1	2216	ROVERUD	KONGSVINGER	1
2040	KLØFTA	OSLO	1	2217	HOKKÅSEN	KONGSVINGER	1
2050	JESSHEIM	OSLO	1	2218	LUNDERSÆTER	KONGSVINGER	1
2052	JESSHEIM	OSLO	1	2219	BRANDVAL	KONGSVINGER	1
2053	JESSHEIM	OSLO	1	2220	ÅBOGEN	KONGSVINGER	1
2054	MOGREINA	OSLO	1	2223	GALTERUD	KONGSVINGER	1
2055	NORDKISA	OSLO	1	2224	AUSTMARKA	KONGSVINGER	1
2056	ALGARHEIM	OSLO	1	2230	SKOTTERUD	KONGSVINGER	1
2058	SESSVOLLMOEN	OSLO	1	2232	TOBØL	KONGSVINGER	1
2060	GARDERMOEN	OSLO	1	2233	VESTMARKA	KONGSVINGER	1
2063	JESSHEIM	OSLO	1	2235	MATRAND	KONGSVINGER	1
2066	JESSHEIM	OSLO	1	2240	MAGNOR	KONGSVINGER	1
2067	JESSHEIM	OSLO	1	2256	GRUE FINNSKOG	KONGSVINGER	2
2068	JESSHEIM	OSLO	1	2260	KIRKENÆR	KONGSVINGER	1
2069	JESSHEIM	OSLO	1	2264	GRINDER	KONGSVINGER	1
2070	RÅHOLT	OSLO	1	2265	NAMNÅ	KONGSVINGER	1
2072	DAL	OSLO	1	2266	ARNEBERG	KONGSVINGER	1
2073	BØN	OSLO	1	2270	FLISA	KONGSVINGER	1
2074	EIDSVOLL VERK	OSLO	1	2280	GJESÅSEN	KONGSVINGER	1
2080	EIDSVOLL	OSLO	1	2283	ÅSNES FINNSKOG	KONGSVINGER	2
2090	HURDAL	OSLO	1	2312	OTTESTAD	HAMAR	0
2092	MINNESUND	OSLO	1	2315	HAMAR	HAMAR	1
2093	FEIRING	OSLO	1	2316	HAMAR	HAMAR	1
2100	SKARNES	KONGSVINGER	0	2317	HAMAR	HAMAR	1
2110	SLÅSTAD	KONGSVINGER	1	2318	HAMAR	HAMAR	1
2114	DISENÅ	KONGSVINGER	1	2319	HAMAR	HAMAR	1
2116	SANDER	KONGSVINGER	1	2320	FURNES	HAMAR	1
2120	SAGSTUA	KONGSVINGER	1	2321	HAMAR	HAMAR	1
2123	BRUVOLL	KONGSVINGER	1	2322	RIDABU	HAMAR	1
2130	KNAPPER	KONGSVINGER	1	2323	INGEBERG	HAMAR	0
2133	GARDVIK	KONGSVINGER	1	2324	VANG PÅ HEDMARKEN	HAMAR	0
2134	AUSTVATN	KONGSVINGER	1	2330	VALLSET	HAMAR	0
2150	ÅRNES	KONGSVINGER	1	2332	ÅSVANG	HAMAR	0

### Location register with zones Business Parcel Express Overnight

Postal code	Location	Terminal name	Zones out	Postal code	Location	Terminal name	Zones out
2334	ROMEDAL	HAMAR	0	2438	GRAVBERGET	HAMAR	2
2335	STANGE	HAMAR	0	2440	ENGERDAL	HAMAR	2
2337	TANGEN	HAMAR	1	2443	DREVSJØ	HAMAR	2
2338	ESPA	HAMAR	1	2446	ELGÅ	HAMAR	2
2340	LØTEN	HAMAR	1	2448	SØMÅDALEN	HAMAR	2
2344	ILSENG	HAMAR	1	2450	RENA	HAMAR	1
2345	ÅDALSBRUK	HAMAR	1	2460	OSEN	TYNSET	2
2350	NES PÅ HEDMARKEN	HAMAR	1	2476	ATNA	TYNSET	2
2353	STAVSJØ	HAMAR	1	2477	SOLLIA	TYNSET	2
2355	GAUPEN	HAMAR	0	2478	HANESTAD	TYNSET	2
2360	RUDSHØGDA	HAMAR	0	2480	KOPPANG	TYNSET	2
2364	NÆROSET	HAMAR	0	2484		TYNSET	2
2365	ÅSMARKA	HAMAR	1	2485	RENDALEN	TYNSET	2
2372	BRØTTUM	HAMAR	1	2500	TYNSET	TYNSET	2
2380	BRUMUNDDAL	HAMAR	1	2510	TYLLDALEN	TYNSET	2
2382	BRUMUNDDAL	HAMAR	1	2512	KVIKNE	TYNSET	2
2383	BRUMUNDDAL	HAMAR	1	2540	TOLGA	TYNSET	2
2384	BRUMUNDDAL	HAMAR	0	2542	VINGELEN	TYNSET	2
2385	BRUMUNDDAL	HAMAR	0	2544	ØVERSJØDALEN	TYNSET	2
2386	BRUMUNDDAL	HAMAR	0	2550	OS I ØSTERDALEN	TYNSET	2
2387	BRUMUNDDAL	HAMAR	0	2552	DALSBYGDA	TYNSET	2
2388	BRUMUNDDAL	HAMAR	0	2555	TUFSINGDALEN	TYNSET	2
2390	MOELV	HAMAR	1	2560	ALVDAL	TYNSET	2
2406	ELVERUM	HAMAR	1	2580	FOLLDAL	TYNSET	2
2407	ELVERUM	HAMAR	1	2582	GRIMSBU	TYNSET	2
2408	ELVERUM	HAMAR	1	2584	DALHOLEN	TYNSET	2
2409	ELVERUM	HAMAR	1	2607	VINGROM	HAMAR	1
2410	HERNES	HAMAR	1	2608	LILLEHAMMER	HAMAR	1
2411	ELVERUM	HAMAR	1	2609	LILLEHAMMER	HAMAR	1
2412	SØRSKOGBYGDA	HAMAR	1	2610	MESNALI	HAMAR	1
2413	ELVERUM	HAMAR	1	2611	LILLEHAMMER	HAMAR	1
2414	ELVERUM	HAMAR	1	2612	SJUSJØEN	HAMAR	2
2415	HERADSBYGD	HAMAR	1	2613	LILLEHAMMER	HAMAR	1
2416	JØMNA	HAMAR	1	2614	LILLEHAMMER	HAMAR	1
2420	TRYSIL	HAMAR	1	2615	LILLEHAMMER	HAMAR	1
2422	NYBERGSUND	HAMAR	1	2616	LISMARKA	HAMAR	1
2423	ØSTBY	HAMAR	2	2618	LILLEHAMMER	HAMAR	1
2425	LJØRDALEN	HAMAR	2	2619	LILLEHAMMER	HAMAR	1
2427	PLASSEN	HAMAR	2	2624	LILLEHAMMER	HAMAR	1
2428	SØRE OSEN	HAMAR	2	2625	FÅBERG	HAMAR	1
2429	TØRBERGET	HAMAR	2	2630	RINGEBU	OTTA	1
2430	JORDET	HAMAR	2	2632	VENABYGD	OTTA	1
2432	SLETTÅS	HAMAR	2	2634	FÅVANG	OTTA	1
2435	BRASKEREIDFOSS	HAMAR	2	2635	TRETEN	OTTA	1
2436	VÅLER I SOLØR	HAMAR	1	2636	ØYER	OTTA	1
2437	HASLEMOEN	HAMAR	2	2640	VINSTRÅ	OTTA	1

### Location register with zones Business Parcel Express Overnight

Postal code	Location	Terminal name	Zones out	Postal code	Location	Terminal name	Zones out
2642	KVAM	OTTA	1	2819	GJØVIK	HAMAR	1
2643	SKÅBU	OTTA	1	2820	NORDRE TOTEN	HAMAR	1
2646	GÅLÅ	OTTA	1	2821	GJØVIK	HAMAR	1
2647	SØR-FRON	OTTA	1	2822	BYBRUA	HAMAR	1
2651	ØSTRE GAUSDAL	OTTA	2	2825	GJØVIK	HAMAR	1
2652	SVINGVOLL	OTTA	2	2827	HUNNDALEN	HAMAR	1
2653	VESTRE GAUSDAL	OTTA	2	2830	RAUFOSS	HAMAR	1
2656	FOLLEBU	OTTA	2	2833	RAUFOSS	HAMAR	1
2657	SVATSUM	OTTA	2	2834	RAUFOSS	HAMAR	1
2658	ESPEDALEN	OTTA	2	2835	RAUFOSS	HAMAR	1
2660	DOMBÅS	OTTA	1	2836	BIRI	HAMAR	1
2661	HJERKINN	OTTA	2	2837	BIRISTRAND	HAMAR	1
2662	DOVRE	OTTA	1	2838	SNERTINGDAL	HAMAR	1
2663	DOVRESKOGEN	OTTA	1	2839	ØVRE SNERTINGDAL	HAMAR	2
2665	LESJA	OTTA	2	2840	REINSVOLL	HAMAR	1
2666	LORA	OTTA	2	2843	EINA	HAMAR	2
2667	LESJAVERK	OTTA	2	2846	BØVERBRU	HAMAR	1
2668	LESJASKOG	OTTA	2	2847	KOLBU	HAMAR	2
2669	BJORLI	OTTA	2	2848	SKREIA	HAMAR	2
2670	OTTA	OTTA	0	2849	KAPP	HAMAR	1
2672	SEL	OTTA	0	2850	LENA	HAMAR	1
2673	HØVRINGEN	OTTA	1	2860	HOV	HAMAR	2
2674	MYSUSÆTER	OTTA	1	2861	LANDÅSBYGDA	HAMAR	2
2676	HEIDAL	OTTA	1	2862	FLUBERG	HAMAR	2
2677	NEDRE HEIDAL	OTTA	1	2864	FALL	HAMAR	2
2680	VÅGÅ	OTTA	1	2866	ENGER	HAMAR	2
2682	LALM	OTTA	1	2870	DOKKA	HAMAR	2
2683	TESSANDEN	OTTA	1	2879	ODNES	HAMAR	2
2685	GARMO	OTTA	2	2880	NORD-TORPA	HAMAR	2
2686	LOM	OTTA	1	2881	AUST-TORPA	HAMAR	2
2687	BØVERDALEN	OTTA	2	2890	ETNEDAL	HAMAR	2
2690	SKJÅK	OTTA	2	2900	FAGERNES	FAGERNES	2
2693	NORDBERG	OTTA	2	2910	AURDAL	FAGERNES	2
2695	GROTLI	OTTA	2	2917	SKRAUTVÅL	FAGERNES	2
2720	GRINDVOLL	HØNEFOSS	1	2918	ULNES	FAGERNES	2
2730	LUNNER	HØNEFOSS	1	2920	LEIRA I VALDRES	FAGERNES	2
2740	ROA	HØNEFOSS	1	2923	TISLEIDALEN	FAGERNES	2
2742	GRUA	HØNEFOSS	1	2930	BAGN	FAGERNES	2
2743	HARESTUA	HØNEFOSS	1	2933	REINLI	FAGERNES	2
2750	GRAN	HØNEFOSS	1	2936	BEGNADALEN	FAGERNES	2
2760	BRANDBU	HØNEFOSS	2	2937	BEGNA	FAGERNES	2
2770	JAREN	HØNEFOSS	2	2940	HEGGENES	FAGERNES	2
2815	GJØVIK	HAMAR	1	2943	ROGNE	FAGERNES	2
2816	GJØVIK	HAMAR	1	2950	SKAMMESTEIN	FAGERNES	2
2817	GJØVIK	HAMAR	1	2952	BEITO	FAGERNES	2
2818	GJØVIK	HAMAR	1	2953	BEITOSTØLEN	FAGERNES	2

### Location register with zones Business Parcel Express Overnight

Postal code	Location	Terminal name	Zones out	Postal code	Location	Terminal name	Zones out
2960	RØN	FAGERNES	2	3053	STEINBERG	DRAMMEN	1
2966	SLIDRE	FAGERNES	2	3055	KROKSTADELVA	DRAMMEN	1
2967	LOMEN	FAGERNES	2	3057	SOLBERGELVA	DRAMMEN	1
2973	RYFOSS	FAGERNES	2	3058	SOLBERGMOEN	DRAMMEN	1
2975	VANG I VALDRES	FAGERNES	2	3060	SVELVIK	DRAMMEN	1
2977	ØYE	FAGERNES	2	3070	SANDE I VESTFOLD	DRAMMEN	1
2985	TYINKRYSSET	FAGERNES	2	3072	SANDE I VESTFOLD	DRAMMEN	1
3004	DRAMMEN	DRAMMEN	1	3073	SANDE I VESTFOLD	DRAMMEN	1
3011	DRAMMEN	DRAMMEN	1	3074	SANDE I VESTFOLD	DRAMMEN	1
3012	DRAMMEN	DRAMMEN	1	3075	BERGER	DRAMMEN	1
3013	DRAMMEN	DRAMMEN	1	3076	SANDE I VESTFOLD	DRAMMEN	1
3014	DRAMMEN	DRAMMEN	1	3077	SANDE I VESTFOLD	DRAMMEN	1
3015	DRAMMEN	DRAMMEN	1	3080	HOLMESTRAND	STOKKE	1
3016	DRAMMEN	DRAMMEN	1	3083	HOLMESTRAND	STOKKE	1
3017	DRAMMEN	DRAMMEN	1	3084	HOLMESTRAND	STOKKE	1
3018	DRAMMEN	DRAMMEN	1	3085	HOLMESTRAND	STOKKE	1
3019	DRAMMEN	DRAMMEN	1	3086	HOLMESTRAND	STOKKE	1
3021	DRAMMEN	DRAMMEN	1	3089	HOLMESTRAND	STOKKE	1
3022	DRAMMEN	DRAMMEN	1	3090	HOF	STOKKE	1
3023	DRAMMEN	DRAMMEN	1	3092	SUNDBYFOSS	STOKKE	1
3024	DRAMMEN	DRAMMEN	1	3095	EIDSSFOSS	STOKKE	1
3025	DRAMMEN	DRAMMEN	1	3110	TØNSBERG	STOKKE	1
3026	DRAMMEN	DRAMMEN	1	3111	TØNSBERG	STOKKE	1
3027	DRAMMEN	DRAMMEN	1	3112	TØNSBERG	STOKKE	1
3028	DRAMMEN	DRAMMEN	1	3113	TØNSBERG	STOKKE	1
3029	DRAMMEN	DRAMMEN	1	3114	TØNSBERG	STOKKE	1
3030	DRAMMEN	DRAMMEN	1	3115	TØNSBERG	STOKKE	1
3031	DRAMMEN	DRAMMEN	1	3116	TØNSBERG	STOKKE	1
3032	DRAMMEN	DRAMMEN	1	3117	TØNSBERG	STOKKE	1
3033	DRAMMEN	DRAMMEN	1	3118	TØNSBERG	STOKKE	1
3034	DRAMMEN	DRAMMEN	1	3120	NØTTERØY	STOKKE	1
3035	DRAMMEN	DRAMMEN	1	3121	NØTTERØY	STOKKE	1
3036	DRAMMEN	DRAMMEN	1	3122	TØNSBERG	STOKKE	1
3037	DRAMMEN	DRAMMEN	1	3123	TØNSBERG	STOKKE	1
3038	DRAMMEN	DRAMMEN	1	3124	TØNSBERG	STOKKE	0
3039	DRAMMEN	DRAMMEN	1	3125	TØNSBERG	STOKKE	1
3040	DRAMMEN	DRAMMEN	1	3126	TØNSBERG	STOKKE	1
3041	DRAMMEN	DRAMMEN	1	3127	TØNSBERG	STOKKE	0
3042	DRAMMEN	DRAMMEN	1	3128	NØTTERØY	STOKKE	1
3043	DRAMMEN	DRAMMEN	1	3132	HUSØYSUND	STOKKE	1
3044	DRAMMEN	DRAMMEN	1	3133	DUKEN	STOKKE	1
3045	DRAMMEN	DRAMMEN	1	3135	TORØD	STOKKE	0
3046	DRAMMEN	DRAMMEN	1	3138	SKALLESTAD	STOKKE	0
3047	DRAMMEN	DRAMMEN	1	3140	NØTTERØY	STOKKE	0
3048	DRAMMEN	DRAMMEN	1	3142	VESTSKOGEN	STOKKE	0
3050	MJØNDALEN	DRAMMEN	1	3143	KJØPMANNSKJÆR	STOKKE	0

### ■ ■ Location register with zones Business Parcel Express Overnight

Postal code	Location	Terminal name	Zones out	Postal code	Location	Terminal name	Zones out
3144	VEIERLAND	STOKKE	1	3223	SANDEFJORD	STOKKE	1
3145	TJØME	STOKKE	1	3224	SANDEFJORD	STOKKE	1
3148	HVASSER	STOKKE	1	3225	SANDEFJORD	STOKKE	1
3150	TOLVSRØD	STOKKE	0	3226	SANDEFJORD	STOKKE	1
3151	TOLVSRØD	STOKKE	0	3227	SANDEFJORD	STOKKE	1
3152	TOLVSRØD	STOKKE	0	3228	SANDEFJORD	STOKKE	1
3153	TOLVSRØD	STOKKE	0	3229	SANDEFJORD	STOKKE	1
3154	TOLVSRØD	STOKKE	0	3230	SANDEFJORD	STOKKE	1
3157	BARKÅKER	STOKKE	0	3231	SANDEFJORD	STOKKE	1
3158	ANDEBU	STOKKE	0	3232	SANDEFJORD	STOKKE	1
3159	MELSOMVIK	STOKKE	0	3233	SANDEFJORD	STOKKE	0
3160	STOKKE	STOKKE	1	3234	SANDEFJORD	STOKKE	0
3170	SEM	STOKKE	0	3235	SANDEFJORD	STOKKE	1
3171	SEM	STOKKE	0	3236	SANDEFJORD	STOKKE	1
3172	VEAR	STOKKE	0	3237	SANDEFJORD	STOKKE	0
3173	VEAR	STOKKE	0	3238	SANDEFJORD	STOKKE	1
3174	REVTAL	STOKKE	0	3239	SANDEFJORD	STOKKE	0
3175	RAMNES	STOKKE	0	3241	SANDEFJORD	STOKKE	1
3176	UNDRUMSDAL	STOKKE	0	3242	SANDEFJORD	STOKKE	1
3178	VÅLE	STOKKE	0	3243	KODAL	STOKKE	0
3179	ÅSGÅRDSTRAND	STOKKE	0	3244	SANDEFJORD	STOKKE	1
3180	NYKIRKE	STOKKE	0	3256	LARVIK	STOKKE	1
3181	HORTEN	STOKKE	1	3257	LARVIK	STOKKE	1
3182	HORTEN	STOKKE	1	3258	LARVIK	STOKKE	1
3183	HORTEN	STOKKE	1	3259	LARVIK	STOKKE	1
3184	BORRE	STOKKE	0	3260	LARVIK	STOKKE	1
3185	SKOPPUM	STOKKE	0	3261	LARVIK	STOKKE	1
3186	HORTEN	STOKKE	1	3262	LARVIK	STOKKE	1
3187	HORTEN	STOKKE	1	3263	LARVIK	STOKKE	1
3188	HORTEN	STOKKE	1	3264	LARVIK	STOKKE	1
3189	HORTEN	STOKKE	1	3265	LARVIK	STOKKE	0
3208	SANDEFJORD	STOKKE	1	3267	LARVIK	STOKKE	0
3209	SANDEFJORD	STOKKE	1	3268	LARVIK	STOKKE	0
3210	SANDEFJORD	STOKKE	1	3269	LARVIK	STOKKE	1
3211	SANDEFJORD	STOKKE	1	3270	LARVIK	STOKKE	0
3212	SANDEFJORD	STOKKE	1	3271	LARVIK	STOKKE	1
3213	SANDEFJORD	STOKKE	1	3274	LARVIK	STOKKE	1
3214	SANDEFJORD	STOKKE	1	3275	SVARSTAD	STOKKE	0
3215	SANDEFJORD	STOKKE	1	3277	STEINSHOLT	STOKKE	0
3216	SANDEFJORD	STOKKE	1	3280	TJODALYNG	STOKKE	0
3217	SANDEFJORD	STOKKE	1	3282	KVELDE	STOKKE	0
3218	SANDEFJORD	STOKKE	1	3290	STAVERN	STOKKE	1
3219	SANDEFJORD	STOKKE	1	3292	STAVERN	STOKKE	1
3220	SANDEFJORD	STOKKE	1	3294	STAVERN	STOKKE	1
3221	SANDEFJORD	STOKKE	1	3295	HELGEROA	STOKKE	1
3222	SANDEFJORD	STOKKE	1	3296	NEVLUNGHAVN	STOKKE	1

### ■ ■ Location register with zones Business Parcel Express Overnight

Postal code	Location	Terminal name	Zones out	Postal code	Location	Terminal name	Zones out
3300	HOKKSUND	DRAMMEN	1	3515	HØNEFOSS	HØNEFOSS	1
3302	HOKKSUND	DRAMMEN	1	3516	HØNEFOSS	HØNEFOSS	1
3303	HOKKSUND	DRAMMEN	1	3517	HØNEFOSS	HØNEFOSS	1
3320	VESTFOSSEN	DRAMMEN	0	3518	HØNEFOSS	HØNEFOSS	1
3322	FISKUM	DRAMMEN	1	3519	HØNEFOSS	HØNEFOSS	1
3330	SKOTSELV	DRAMMEN	1	3520	JEVNAKER	HØNEFOSS	2
3340	ÅMOT	DRAMMEN	1	3522	BJONEROA	HØNEFOSS	2
3350	PRESTFOSS	DRAMMEN	1	3524	NES I ÅDAL	HØNEFOSS	2
3355	SOLUMSMOEN	DRAMMEN	1	3525	HALLINGBY	HØNEFOSS	2
3358	NEDRE EGGEDAL	DRAMMEN	2	3528	HEDALEN	HØNEFOSS	2
3359	EGGEDAL	DRAMMEN	2	3530	RØYSE	HØNEFOSS	1
3360	GEITHUS	DRAMMEN	1	3531	KROKKLEIVA	HØNEFOSS	1
3370	VIKERSUND	DRAMMEN	1	3533	TYRISTRAND	HØNEFOSS	1
3402	LIER	DRAMMEN	0	3534	SOKNA	HØNEFOSS	2
3403	LIER	DRAMMEN	0	3535	KRØDEREN	HØNEFOSS	2
3404	LIER	DRAMMEN	0	3536	NORESUND	HØNEFOSS	1
3405	LIER	DRAMMEN	0	3538	SOLLIHØGDA	HØNEFOSS	1
3406	TRANBY	DRAMMEN	0	3539	FLÅ	HØNEFOSS	1
3408	TRANBY	DRAMMEN	0	3540	NESBYEN	HØNEFOSS	1
3409	TRANBY	DRAMMEN	0	3544	TUNHOVD	HØNEFOSS	1
3410	SYLLING	DRAMMEN	0	3550	GOL	HØNEFOSS	1
3413	LIER	DRAMMEN	1	3560	HEMSEDAL	HØNEFOSS	1
3414	LIERSTRANDA	DRAMMEN	1	3570	ÅL	HØNEFOSS	1
3420	LIERSKOGEN	DRAMMEN	0	3576	HOL	HØNEFOSS	1
3425	REISTAD	DRAMMEN	0	3577	HOVET	HØNEFOSS	1
3426	GULLAUG	DRAMMEN	0	3579	TORPO	HØNEFOSS	1
3427	GULLAUG	DRAMMEN	0	3580	GEILO	HØNEFOSS	1
3430	SPIKKESTAD	DRAMMEN	0	3588	DAGALI	HØNEFOSS	1
3440	RØYKEN	DRAMMEN	0	3593	USTAOSSET	HØNEFOSS	1
3442	HYGGEN	DRAMMEN	1	3595	HAUGASTØL	HØNEFOSS	2
3470	SLEMMESTAD	DRAMMEN	0	3608	HEISTADMOEN	KONGSBERG	1
3472	BØDALEN	DRAMMEN	1	3610	KONGSBERG	KONGSBERG	1
3474	ÅROS	DRAMMEN	0	3611	KONGSBERG	KONGSBERG	1
3475	SÆTRE	DRAMMEN	0	3612	KONGSBERG	KONGSBERG	1
3477	BÅTSTØ	DRAMMEN	0	3613	KONGSBERG	KONGSBERG	1
3478	NÆRSNES	DRAMMEN	0	3614	KONGSBERG	KONGSBERG	0
3480	FILTVET	DRAMMEN	1	3615	KONGSBERG	KONGSBERG	1
3482	TOFTE	DRAMMEN	1	3616	KONGSBERG	KONGSBERG	1
3483	KANA	DRAMMEN	1	3617	KONGSBERG	KONGSBERG	1
3484	HOLMSBU	DRAMMEN	1	3618	SKOLLENBORG	KONGSBERG	1
3490	KLOKKARSTUA	DRAMMEN	0	3619	SKOLLENBORG	KONGSBERG	1
3510	HØNEFOSS	HØNEFOSS	1	3620	FLESBERG	KONGSBERG	1
3511	HØNEFOSS	HØNEFOSS	1	3622	SVENE	KONGSBERG	1
3512	HØNEFOSS	HØNEFOSS	1	3623	LAMPELAND	KONGSBERG	2
3513	HØNEFOSS	HØNEFOSS	1	3624	LYNGDAL I NUMEDAL	KONGSBERG	2
3514	HØNEFOSS	HØNEFOSS	1	3626	ROLLAG	KONGSBERG	2



### Location register with zones Business Parcel Express Overnight

Postal code	Location	Terminal name	Zones out	Postal code	Location	Terminal name	Zones out
3628	VEGLI	KONGSBERG	2	3731	SKIEN	SKIEN	1
3629	NORE	KONGSBERG	2	3732	SKIEN	SKIEN	1
3630	RØDBERG	KONGSBERG	2	3733	SKIEN	SKIEN	1
3632	UVDAL	KONGSBERG	2	3734	SKIEN	SKIEN	1
3647	HVITTINGFOSS	KONGSBERG	1	3735	SKIEN	SKIEN	1
3648	PASSEBEKK	KONGSBERG	1	3736	SKIEN	SKIEN	1
3650	TINN AUSTBYGD	KONGSBERG	2	3737	SKIEN	SKIEN	1
3652	HOVIN I TELEMAR	KONGSBERG	2	3738	SKIEN	SKIEN	1
3656	ATRÅ	KONGSBERG	2	3739	SKIEN	SKIEN	1
3658	MILAND	KONGSBERG	2	3740	SKIEN	SKIEN	1
3660	RJUKAN	KONGSBERG	2	3741	SKIEN	SKIEN	1
3674	NOTODDEN	KONGSBERG	1	3742	SKIEN	SKIEN	1
3675	NOTODDEN	KONGSBERG	2	3743	SKIEN	SKIEN	1
3676	NOTODDEN	KONGSBERG	2	3744	SKIEN	SKIEN	1
3677	NOTODDEN	KONGSBERG	2	3746	SKIEN	SKIEN	1
3678	NOTODDEN	KONGSBERG	2	3747	SKIEN	SKIEN	1
3679	NOTODDEN	KONGSBERG	2	3748	SILJAN	SKIEN	1
3680	NOTODDEN	KONGSBERG	2	3750	DRANGEDAL	SKIEN	2
3681	NOTODDEN	KONGSBERG	2	3753	TØRDAL	SKIEN	2
3683	NOTODDEN	KONGSBERG	2	3760	NESLANDSVATN	SKIEN	2
3684	NOTODDEN	KONGSBERG	2	3766	SANNIDAL	SKIEN	2
3690	HJARTDAL	KONGSBERG	2	3770	KRAGERØ	SKIEN	2
3691	GRANSHERAD	KONGSBERG	2	3772	KRAGERØ	SKIEN	2
3692	SAULAND	KONGSBERG	2	3780	SKÅTØY	SKIEN	2
3697	TUDDAL	KONGSBERG	2	3781	JOMFRULAND	SKIEN	2
3710	SKIEN	SKIEN	1	3783	KRAGERØ SKJÆRGÅRD	SKIEN	2
3711	SKIEN	SKIEN	1	3788	STABBESTAD	SKIEN	2
3712	SKIEN	SKIEN	1	3790	HELLE	SKIEN	2
3713	SKIEN	SKIEN	1	3800	BØ I TELEMAR	SKIEN	2
3714	SKIEN	SKIEN	1	3801	BØ I TELEMAR	SKIEN	2
3715	SKIEN	SKIEN	1	3802	BØ I TELEMAR	SKIEN	2
3716	SKIEN	SKIEN	1	3803	BØ I TELEMAR	SKIEN	2
3717	SKIEN	SKIEN	1	3804	BØ I TELEMAR	SKIEN	2
3718	SKIEN	SKIEN	1	3805	BØ I TELEMAR	SKIEN	2
3719	SKIEN	SKIEN	0	3810	GVARV	SKIEN	2
3720	SKIEN	SKIEN	1	3811	HØRTE	SKIEN	1
3721	SKIEN	SKIEN	1	3812	AKKERHAUGEN	SKIEN	1
3722	SKIEN	SKIEN	1	3820	NORDAGUTU	SKIEN	2
3723	SKIEN	SKIEN	1	3825	LUNDE	SKIEN	1
3724	SKIEN	SKIEN	1	3830	ULEFOSS	SKIEN	1
3725	SKIEN	SKIEN	1	3840	SELJORD	SKIEN	2
3726	SKIEN	SKIEN	1	3841	FLATDAL	SKIEN	2
3727	SKIEN	SKIEN	1	3844	ÅMOTSDAL	SKIEN	2
3728	SKIEN	SKIEN	1	3848	MORGEDAL	SKIEN	2
3729	SKIEN	SKIEN	1	3849	VRÅLIOSEN	SKIEN	2
3730	SKIEN	SKIEN	1	3850	KVITSEID	SKIEN	2

### Location register with zones Business Parcel Express Overnight

Postal code	Location	Terminal name	Zones out	Postal code	Location	Terminal name	Zones out
3853	VRÅDAL	SKIEN	2	3965	HERRE	SKIEN	1
3854	NISSEDAL	SKIEN	2	3967	STATHELLE	SKIEN	2
3855	TREUNGEN	SKIEN	2	3970	LANGESUND	SKIEN	1
3864	RAULAND	SKIEN	2	4005	STAVANGER	STAVANGER	1
3870	FYRESDAL	SKIEN	2	4006	STAVANGER	STAVANGER	1
3880	DALEN	SKIEN	2	4007	STAVANGER	STAVANGER	1
3882	ÅMDALS VERK	SKIEN	2	4008	STAVANGER	STAVANGER	1
3890	VINJE	SKIEN	2	4009	STAVANGER	STAVANGER	1
3891	HØYDALSMO	SKIEN	2	4010	STAVANGER	STAVANGER	1
3893	VINJESVINGEN	SKIEN	2	4011	STAVANGER	STAVANGER	1
3895	EDLAND	SKIEN	2	4012	STAVANGER	STAVANGER	1
3910	PORSGRUNN	SKIEN	1	4013	STAVANGER	STAVANGER	1
3911	PORSGRUNN	SKIEN	1	4014	STAVANGER	STAVANGER	1
3912	PORSGRUNN	SKIEN	1	4015	STAVANGER	STAVANGER	1
3913	PORSGRUNN	SKIEN	1	4016	STAVANGER	STAVANGER	1
3914	PORSGRUNN	SKIEN	1	4017	STAVANGER	STAVANGER	1
3915	PORSGRUNN	SKIEN	1	4018	STAVANGER	STAVANGER	1
3916	PORSGRUNN	SKIEN	1	4019	STAVANGER	STAVANGER	1
3917	PORSGRUNN	SKIEN	1	4020	STAVANGER	STAVANGER	1
3918	PORSGRUNN	SKIEN	1	4021	STAVANGER	STAVANGER	1
3919	PORSGRUNN	SKIEN	1	4022	STAVANGER	STAVANGER	1
3920	PORSGRUNN	SKIEN	1	4023	STAVANGER	STAVANGER	1
3921	PORSGRUNN	SKIEN	1	4024	STAVANGER	STAVANGER	1
3922	PORSGRUNN	SKIEN	1	4025	STAVANGER	STAVANGER	1
3924	PORSGRUNN	SKIEN	1	4026	STAVANGER	STAVANGER	1
3925	PORSGRUNN	SKIEN	1	4027	STAVANGER	STAVANGER	1
3928	PORSGRUNN	SKIEN	1	4028	STAVANGER	STAVANGER	1
3929	PORSGRUNN	SKIEN	1	4029	STAVANGER	STAVANGER	1
3930	PORSGRUNN	SKIEN	1	4031	STAVANGER	STAVANGER	1
3931	PORSGRUNN	SKIEN	1	4032	STAVANGER	STAVANGER	1
3933	PORSGRUNN	SKIEN	1	4033	STAVANGER	STAVANGER	1
3936	PORSGRUNN	SKIEN	1	4034	STAVANGER	STAVANGER	1
3937	PORSGRUNN	SKIEN	1	4035	STAVANGER	STAVANGER	1
3940	PORSGRUNN	SKIEN	1	4041	HAFRSFJORD	STAVANGER	1
3941	PORSGRUNN	SKIEN	1	4042	HAFRSFJORD	STAVANGER	1
3942	PORSGRUNN	SKIEN	1	4043	HAFRSFJORD	STAVANGER	1
3943	PORSGRUNN	SKIEN	1	4044	HAFRSFJORD	STAVANGER	1
3944	PORSGRUNN	SKIEN	1	4045	HAFRSFJORD	STAVANGER	1
3946	PORSGRUNN	SKIEN	1	4046	HAFRSFJORD	STAVANGER	1
3947	LANGANGEN	SKIEN	0	4047	HAFRSFJORD	STAVANGER	1
3948	PORSGRUNN	SKIEN	0	4048	HAFRSFJORD	STAVANGER	1
3949	PORSGRUNN	SKIEN	0	4049	HAFRSFJORD	STAVANGER	1
3950	BREVIK	SKIEN	1	4050	SOLA	STAVANGER	1
3960	STATHELLE	SKIEN	1	4051	SOLA	STAVANGER	1
3961	STATHELLE	SKIEN	1	4052	RØYNEBERG	STAVANGER	1
3962	STATHELLE	SKIEN	1	4053	RÆGE	STAVANGER	1

### ■ ■ Location register with zones Business Parcel Express Overnight

Postal code	Location	Terminal name	Zones out	Postal code	Location	Terminal name	Zones out
4054	TJELTA	STAVANGER	1	4209	VANVIK	HAUGESUND	2
4055	SOLA	STAVANGER	1	4230	SAND	HAUGESUND	2
4056	TANANGER	STAVANGER	1	4233	ERFJORD	HAUGESUND	2
4057	TANANGER	STAVANGER	0	4234	JELSA	HAUGESUND	2
4058	TANANGER	STAVANGER	0	4235	HEBNES	HAUGESUND	2
4070	RANDABERG	STAVANGER	1	4237	SULDALSOSEN	HAUGESUND	2
4071	RANDABERG	STAVANGER	1	4244	NESFLATEN	HAUGESUND	2
4072	RANDABERG	STAVANGER	1	4250	KOPERVIK	HAUGESUND	1
4073	RANDABERG	STAVANGER	1	4260	TORVASTAD	HAUGESUND	0
4076	VASSØY	STAVANGER	2	4262	AVALDSNES	HAUGESUND	1
4077	HUNDEVÅG	STAVANGER	1	4264	KVALAVÅG	HAUGESUND	0
4083	HUNDEVÅG	STAVANGER	1	4265	HÅVIK	HAUGESUND	0
4085	HUNDEVÅG	STAVANGER	1	4270	ÅKREHAMN	HAUGESUND	0
4100	JØRPELAND	STAVANGER	1	4272	SANDVE	HAUGESUND	0
4102	IDSE	STAVANGER	2	4274	STOL	HAUGESUND	0
4110	FORSAND	STAVANGER	2	4275	SÆVELANDSVIK	HAUGESUND	0
4120	TAU	STAVANGER	1	4276	VEAVÅGEN	HAUGESUND	0
4123	SØR-HIDLE	STAVANGER	2	4280	SKUDENESHAVN	HAUGESUND	1
4127	LYSEBOTN	STAVANGER	2	4306	SANDNES	STAVANGER	1
4128	FLØYRLI	STAVANGER	2	4307	SANDNES	STAVANGER	1
4129	SONGESAND	STAVANGER	2	4308	SANDNES	STAVANGER	0
4130	HJELMELAND	STAVANGER	2	4309	SANDNES	STAVANGER	0
4134	JØSENFJORDEN	STAVANGER	2	4310	HOMMERSÅK	STAVANGER	1
4137	ÅRDAL I RYFYLKE	STAVANGER	2	4311	HOMMERSÅK	STAVANGER	1
4139	FISTER	STAVANGER	2	4312	SANDNES	STAVANGER	1
4146	SKIFTUN	STAVANGER	2	4313	SANDNES	STAVANGER	1
4150	RENNESØY	STAVANGER	2	4314	SANDNES	STAVANGER	1
4152	VESTRE ÅMØY	STAVANGER	2	4315	SANDNES	STAVANGER	1
4153	BRIMSE	STAVANGER	2	4316	SANDNES	STAVANGER	1
4154	AUSTRE ÅMØY	STAVANGER	2	4317	SANDNES	STAVANGER	1
4156	MOSTERØY	STAVANGER	2	4318	SANDNES	STAVANGER	1
4158	BRU	STAVANGER	2	4319	SANDNES	STAVANGER	1
4160	FINNØY	STAVANGER	2	4320	SANDNES	STAVANGER	1
4163	TALGJE	STAVANGER	2	4321	SANDNES	STAVANGER	1
4164	FOGN	STAVANGER	2	4322	SANDNES	STAVANGER	1
4167	HELGØY I RYFYLKE	STAVANGER	2	4323	SANDNES	STAVANGER	1
4168	BYRE	STAVANGER	2	4324	SANDNES	STAVANGER	1
4169	SØRBOKN	STAVANGER	2	4325	SANDNES	STAVANGER	1
4170	SJERNARØY	STAVANGER	2	4326	SANDNES	STAVANGER	1
4173	NORD-HIDLE	STAVANGER	2	4327	SANDNES	STAVANGER	1
4180	KVITSØY	STAVANGER	2	4328	SANDNES	STAVANGER	1
4182	SKARTVEIT	STAVANGER	2	4329	SANDNES	STAVANGER	1
4187	OMBO	STAVANGER	2	4330	ÅLGÅRD	STAVANGER	1
4198	FOLDØY	STAVANGER	2	4332	FIGGJO	STAVANGER	1
4200	SAUDA	HAUGESUND	2	4333	OLTEDAL	STAVANGER	1
4208	SAUDASJØEN	HAUGESUND	2	4335	DIRDAL	STAVANGER	2

### ■ ■ Location register with zones Business Parcel Express Overnight

Postal code	Location	Terminal name	Zones out	Postal code	Location	Terminal name	Zones out
4336	SANDNES	STAVANGER	0	4514	MANDAL	FLEKKEFJORD	1
4337	SANDNES	STAVANGER	0	4515	MANDAL	FLEKKEFJORD	1
4338	SANDNES	STAVANGER	0	4516	MANDAL	FLEKKEFJORD	1
4340	BRYNE	STAVANGER	1	4517	MANDAL	FLEKKEFJORD	1
4341	BRYNE	STAVANGER	1	4519	HOLUM	FLEKKEFJORD	1
4342	UNDHEIM	STAVANGER	1	4520	LINDESNES	FLEKKEFJORD	2
4343	ORRE	STAVANGER	1	4521	LINDESNES	FLEKKEFJORD	2
4344	BRYNE	STAVANGER	1	4525	KONSMO	FLEKKEFJORD	2
4345	BRYNE	STAVANGER	1	4528	KOLLUNGVEIT	FLEKKEFJORD	2
4346	BRYNE	STAVANGER	1	4529	BYREMO	FLEKKEFJORD	2
4347	LYE	STAVANGER	0	4532	ØYSLEBØ	FLEKKEFJORD	2
4352	KLEPPE	STAVANGER	1	4534	MARNARDAL	FLEKKEFJORD	2
4353	KLEPP STASJON	STAVANGER	1	4536	BJELLAND	FLEKKEFJORD	2
4354	VOLL	STAVANGER	1	4540	ÅSERAL	FLEKKEFJORD	2
4355	KVERNALAND	STAVANGER	1	4544	FOSSDAL	FLEKKEFJORD	2
4360	VARHAUG	STAVANGER	1	4550	FARSUND	FLEKKEFJORD	2
4362	VIGRESTAD	STAVANGER	1	4560	VANSE	FLEKKEFJORD	2
4363	BRUSAND	STAVANGER	1	4563	BORHAUG	FLEKKEFJORD	2
4364	SIREVÅG	STAVANGER	1	4580	LYNGDAL	FLEKKEFJORD	1
4365	NÆRBØ	STAVANGER	1	4586	KORSHAMN	FLEKKEFJORD	2
4370	EGERSUND	STAVANGER	1	4588	KVÅS	FLEKKEFJORD	2
4371	EGERSUND	STAVANGER	1	4590	SNARTEMO	FLEKKEFJORD	2
4372	EGERSUND	STAVANGER	1	4595	TINGVATN	FLEKKEFJORD	2
4373	EGERSUND	STAVANGER	1	4596	EIKEN	FLEKKEFJORD	2
4374	EGERSUND	STAVANGER	1	4608	KRISTIANSAND S	KRISTIANSAND	1
4375	HELLVIK	STAVANGER	1	4609	KARDEMOMME BY	KRISTIANSAND	0
4376	HELLELAND	STAVANGER	1	4610	KRISTIANSAND S	KRISTIANSAND	1
4380	HAUGE I DALANE	STAVANGER	1	4611	KRISTIANSAND S	KRISTIANSAND	1
4387	BJERKREIM	STAVANGER	1	4612	KRISTIANSAND S	KRISTIANSAND	1
4389	VIKESÅ	STAVANGER	1	4613	KRISTIANSAND S	KRISTIANSAND	1
4400	FLEKKEFJORD	FLEKKEFJORD	1	4614	KRISTIANSAND S	KRISTIANSAND	1
4420	ÅNA-SIRA	FLEKKEFJORD	2	4615	KRISTIANSAND S	KRISTIANSAND	1
4432	HIDRASUND	FLEKKEFJORD	2	4616	KRISTIANSAND S	KRISTIANSAND	1
4434	ANDABELØY	FLEKKEFJORD	2	4617	KRISTIANSAND S	KRISTIANSAND	1
4436	GYLAND	FLEKKEFJORD	2	4618	KRISTIANSAND S	KRISTIANSAND	1
4438	SIRA	FLEKKEFJORD	2	4619	MOSBY	KRISTIANSAND	1
4440	TONSTAD	FLEKKEFJORD	2	4620	KRISTIANSAND S	KRISTIANSAND	1
4443	TJØRHOM	FLEKKEFJORD	2	4621	KRISTIANSAND S	KRISTIANSAND	1
4460	MOI	FLEKKEFJORD	1	4622	KRISTIANSAND S	KRISTIANSAND	1
4462	HOVSHERAD	FLEKKEFJORD	2	4623	KRISTIANSAND S	KRISTIANSAND	1
4463	UALAND	FLEKKEFJORD	2	4624	KRISTIANSAND S	KRISTIANSAND	1
4473	KVINLOG	FLEKKEFJORD	2	4625	FLEKKERØY	KRISTIANSAND	1
4480	KVINESDAL	FLEKKEFJORD	2	4626	KRISTIANSAND S	KRISTIANSAND	1
4484	ØYESTRANDA	FLEKKEFJORD	2	4628	KRISTIANSAND S	KRISTIANSAND	1
4485	FEDA	FLEKKEFJORD	2	4629	KRISTIANSAND S	KRISTIANSAND	1
4513	MANDAL	FLEKKEFJORD	1	4630	KRISTIANSAND S	KRISTIANSAND	1

### ■ ■ Location register with zones Business Parcel Express Overnight

Postal code	Location	Terminal name	Zones out	Postal code	Location	Terminal name	Zones out
4631	KRISTIANSAND S	KRISTIANSAND	1	4816	KOLBJØRNSVIK	ARENDAL	1
4632	KRISTIANSAND S	KRISTIANSAND	1	4817	HIS	ARENDAL	1
4633	KRISTIANSAND S	KRISTIANSAND	1	4818	FÆRVIK	ARENDAL	1
4634	KRISTIANSAND S	KRISTIANSAND	1	4820	FROLAND	ARENDAL	1
4635	KRISTIANSAND S	KRISTIANSAND	1	4821	RYKENE	ARENDAL	1
4636	KRISTIANSAND S	KRISTIANSAND	1	4823	NEDENES	ARENDAL	1
4637	KRISTIANSAND S	KRISTIANSAND	1	4824	BJORBekk	ARENDAL	1
4638	KRISTIANSAND S	KRISTIANSAND	1	4825	ARENDAL	ARENDAL	1
4639	KRISTIANSAND S	KRISTIANSAND	1	4827	FROLANDS VERK	ARENDAL	1
4640	SØGNE	KRISTIANSAND	0	4828	MJÁVATN	ARENDAL	2
4641	SØGNE	KRISTIANSAND	0	4830	HYNNEKLEIV	ARENDAL	2
4642	SØGNE	KRISTIANSAND	0	4832	MYKLAND	ARENDAL	2
4643	SØGNE	KRISTIANSAND	0	4834	RISDAL	ARENDAL	2
4644	SØGNE	KRISTIANSAND	0	4836	ARENDAL	ARENDAL	1
4645	NODELAND	KRISTIANSAND	0	4838	ARENDAL	ARENDAL	1
4646	FINSLAND	KRISTIANSAND	1	4839	ARENDAL	ARENDAL	1
4647	BRENNÅSEN	KRISTIANSAND	0	4841	ARENDAL	ARENDAL	1
4656	HAMRESANDEN	KRISTIANSAND	1	4842	ARENDAL	ARENDAL	1
4657	KJEVIK	KRISTIANSAND	0	4843	ARENDAL	ARENDAL	1
4658	TVEIT	KRISTIANSAND	1	4844	ARENDAL	ARENDAL	1
4700	VENNESLA	KRISTIANSAND	0	4846	ARENDAL	ARENDAL	1
4706	VENNESLA	KRISTIANSAND	0	4847	ARENDAL	ARENDAL	1
4707	VENNESLA	KRISTIANSAND	0	4848	ARENDAL	ARENDAL	1
4708	VENNESLA	KRISTIANSAND	0	4849	ARENDAL	ARENDAL	1
4715	ØVREBØ	KRISTIANSAND	1	4863	NELAUG	ARENDAL	2
4720	HÆGELAND	KRISTIANSAND	1	4865	ÅMLI	ARENDAL	2
4724	IVELAND	KRISTIANSAND	2	4868	SELÅSVATN	ARENDAL	2
4730	VATNESTRØM	KRISTIANSAND	2	4869	DØLEMO	ARENDAL	2
4735	EVJE	KRISTIANSAND	1	4870	FEVIK	ARENDAL	1
4737	HORNNES	KRISTIANSAND	2	4876	GRIMSTAD	ARENDAL	1
4741	BYGLANDSFJORD	KRISTIANSAND	2	4877	GRIMSTAD	ARENDAL	1
4742	GRENDI	KRISTIANSAND	2	4878	GRIMSTAD	ARENDAL	1
4745	BYGLAND	KRISTIANSAND	2	4879	GRIMSTAD	ARENDAL	1
4747	VALLE	KRISTIANSAND	2	4885	GRIMSTAD	ARENDAL	1
4748	RYSSTAD	KRISTIANSAND	2	4886	GRIMSTAD	ARENDAL	1
4754	BYKLE	KRISTIANSAND	2	4887	GRIMSTAD	ARENDAL	1
4755	HOVDEN I SETESDAL	KRISTIANSAND	2	4888	HOMBORSUND	ARENDAL	1
4760	BIRKELAND	KRISTIANSAND	1	4900	TVEDESTRAND	ARENDAL	2
4766	HEREFOSS	KRISTIANSAND	2	4909	SONGE	ARENDAL	2
4768	ENGESLAND	KRISTIANSAND	2	4910	LYNGØR	ARENDAL	2
4770	HØVÅG	KRISTIANSAND	1	4912	GJEVING	ARENDAL	2
4780	BREKKESTØ	KRISTIANSAND	1	4915	VESTRE SANDØYA	ARENDAL	2
4790	LILLESAND	KRISTIANSAND	1	4916	BORØY	ARENDAL	2
4810	EYDEHAVN	ARENDAL	1	4920	STAUBØ	ARENDAL	2
4812	KONGSHAVN	ARENDAL	1	4934	NES VERK	ARENDAL	2
4815	SALTRØD	ARENDAL	1	4950	RISØR	ARENDAL	2

### ■ ■ Location register with zones Business Parcel Express Overnight

Postal code	Location	Terminal name	Zones out	Postal code	Location	Terminal name	Zones out
4956	RISØR	ARENDAL	2	5059	BERGEN	BERGEN	1
4957	RISØR	ARENDAL	2	5063	BERGEN	BERGEN	1
4980	GJERSTAD	ARENDAL	2	5067	BERGEN	BERGEN	1
4985	VEGÅRSHEI	ARENDAL	2	5068	BERGEN	BERGEN	1
4990	SØNDELED	ARENDAL	2	5072	BERGEN	BERGEN	1
4993	SUNDEBRU	ARENDAL	2	5073	BERGEN	BERGEN	1
4994	AKLAND	ARENDAL	2	5075	BERGEN	BERGEN	1
5003	BERGEN	BERGEN	1	5081	BERGEN	BERGEN	1
5004	BERGEN	BERGEN	1	5082	BERGEN	BERGEN	1
5005	BERGEN	BERGEN	1	5089	BERGEN	BERGEN	1
5006	BERGEN	BERGEN	1	5093	BERGEN	BERGEN	1
5007	BERGEN	BERGEN	1	5094	BERGEN	BERGEN	1
5008	BERGEN	BERGEN	1	5096	BERGEN	BERGEN	1
5009	BERGEN	BERGEN	1	5097	BERGEN	BERGEN	1
5010	BERGEN	BERGEN	1	5098	BERGEN	BERGEN	1
5011	BERGEN	BERGEN	1	5099	BERGEN	BERGEN	1
5012	BERGEN	BERGEN	1	5101	EIDSVÅGNESET	BERGEN	1
5013	BERGEN	BERGEN	1	5104	EIDSVÅG I ÅSANE	BERGEN	1
5014	BERGEN	BERGEN	1	5105	EIDSVÅG I ÅSANE	BERGEN	1
5015	BERGEN	BERGEN	1	5106	ØVRE ERVIK	BERGEN	1
5016	BERGEN	BERGEN	1	5107	SALHUS	BERGEN	0
5017	BERGEN	BERGEN	1	5108	HORDVIK	BERGEN	1
5018	BERGEN	BERGEN	1	5109	HYLKJE	BERGEN	1
5019	BERGEN	BERGEN	1	5111	BREISTEIN	BERGEN	1
5021	BERGEN	BERGEN	1	5113	TERTNES	BERGEN	0
5022	BERGEN	BERGEN	1	5114	TERTNES	BERGEN	0
5031	BERGEN	BERGEN	1	5115	ULSET	BERGEN	0
5032	BERGEN	BERGEN	1	5116	ULSET	BERGEN	1
5033	BERGEN	BERGEN	1	5117	ULSET	BERGEN	0
5034	BERGEN	BERGEN	1	5118	ULSET	BERGEN	0
5035	BERGEN	BERGEN	1	5119	ULSET	BERGEN	1
5036	BERGEN	BERGEN	1	5121	ULSET	BERGEN	0
5037	BERGEN	BERGEN	1	5122	MORVIK	BERGEN	0
5038	BERGEN	BERGEN	1	5124	MORVIK	BERGEN	0
5039	BERGEN	BERGEN	1	5130	NYBORG	BERGEN	1
5041	BERGEN	BERGEN	1	5131	NYBORG	BERGEN	1
5042	BERGEN	BERGEN	1	5132	NYBORG	BERGEN	1
5043	BERGEN	BERGEN	1	5134	FLAKTVEIT	BERGEN	0
5045	BERGEN	BERGEN	1	5135	FLAKTVEIT	BERGEN	0
5052	BERGEN	BERGEN	1	5136	MJØLKERÅEN	BERGEN	1
5053	BERGEN	BERGEN	1	5137	MJØLKERÅEN	BERGEN	0
5054	BERGEN	BERGEN	1	5141	FYLLINGSDALEN	BERGEN	1
5055	BERGEN	BERGEN	1	5142	FYLLINGSDALEN	BERGEN	0
5056	BERGEN	BERGEN	1	5143	FYLLINGSDALEN	BERGEN	1
5057	BERGEN	BERGEN	1	5144	FYLLINGSDALEN	BERGEN	0
5058	BERGEN	BERGEN	1	5145	FYLLINGSDALEN	BERGEN	0

### ■ ■ Location register with zones Business Parcel Express Overnight

Postal code	Location	Terminal name	Zones out	Postal code	Location	Terminal name	Zones out
5146	FYLLINGSDALEN	BERGEN	1	5232	PARADIS	BERGEN	0
5147	FYLLINGSDALEN	BERGEN	1	5235	RÅDAL	BERGEN	0
5148	FYLLINGSDALEN	BERGEN	0	5236	RÅDAL	BERGEN	0
5151	STRAUMSGREND	BERGEN	0	5237	RÅDAL	BERGEN	0
5152	BØNES	BERGEN	1	5238	RÅDAL	BERGEN	0
5153	BØNES	BERGEN	0	5239	RÅDAL	BERGEN	1
5154	BØNES	BERGEN	0	5243	FANA	BERGEN	0
5155	BØNES	BERGEN	1	5244	FANA	BERGEN	0
5160	LAKSEVÅG	BERGEN	1	5251	SØREIDGREND	BERGEN	0
5161	LAKSEVÅG	BERGEN	1	5252	SØREIDGREND	BERGEN	0
5162	LAKSEVÅG	BERGEN	1	5253	SANDSLI	BERGEN	0
5163	LAKSEVÅG	BERGEN	1	5254	SANDSLI	BERGEN	1
5164	LAKSEVÅG	BERGEN	1	5257	KOKSTAD	BERGEN	1
5165	LAKSEVÅG	BERGEN	1	5258	BLOMSTERDALEN	BERGEN	1
5170	BJØRNDALSTRÆ	BERGEN	0	5259	HJELLESTAD	BERGEN	1
5171	LODDEFJORD	BERGEN	1	5260	INDRE ARNA	BERGEN	1
5172	LODDEFJORD	BERGEN	0	5261	INDRE ARNA	BERGEN	1
5173	LODDEFJORD	BERGEN	1	5262	ARNATVEIT	BERGEN	1
5174	MATHOPEN	BERGEN	1	5263	TRENGEREID	BERGEN	1
5176	LODDEFJORD	BERGEN	0	5264	GARNES	BERGEN	1
5177	BJØRØYHAMN	BERGEN	1	5265	YTRE ARNA	BERGEN	0
5178	LODDEFJORD	BERGEN	0	5267	ESPELAND	BERGEN	0
5179	GODVIK	BERGEN	1	5268	HAUKELAND	BERGEN	1
5183	OLSVIK	BERGEN	0	5281	VALESTRANDSFOSSEN	BERGEN	1
5184	OLSVIK	BERGEN	0	5282	LONEVÅG	BERGEN	1
5200	OS	BERGEN	1	5283	FOTLANDSVÅG	BERGEN	2
5208	OS	BERGEN	1	5284	TYSSEBOTNEN	BERGEN	2
5209	OS	BERGEN	1	5285	BRUVIK	BERGEN	2
5210	OS	BERGEN	1	5286	HAUS	BERGEN	2
5211	OS	BERGEN	2	5300	KLEPPESTØ	BERGEN	1
5212	SØFTELAND	BERGEN	1	5301	KLEPPESTØ	BERGEN	1
5215	LYSEKLOSTER	BERGEN	1	5302	STRUSSHAMN	BERGEN	1
5216	LEPSØY	BERGEN	1	5303	FOLLESE	BERGEN	1
5217	HAGAVIK	BERGEN	1	5304	HETLEVIK	BERGEN	1
5218	NORDSTRØNO	BERGEN	1	5305	FLORVÅG	BERGEN	1
5221	NESTTUN	BERGEN	1	5306	ERDAL	BERGEN	1
5222	NESTTUN	BERGEN	0	5307	ASK	BERGEN	1
5223	NESTTUN	BERGEN	0	5308	KLEPPESTØ	BERGEN	1
5224	NESTTUN	BERGEN	1	5309	KLEPPESTØ	BERGEN	1
5225	NESTTUN	BERGEN	0	5310	HAUGLANDSHELLA	BERGEN	1
5226	NESTTUN	BERGEN	0	5314	KJERRGARDEN	BERGEN	1
5227	NESTTUN	BERGEN	0	5315	HERDLA	BERGEN	2
5228	NESTTUN	BERGEN	0	5334	HELLESØY	BERGEN	2
5229	KALANDSEIDET	BERGEN	1	5335	HERNAR	BERGEN	2
5230	PARADIS	BERGEN	0	5336	TJELDSTØ	BERGEN	2
5231	PARADIS	BERGEN	0	5337	RONG	BERGEN	2

### ■ ■ Location register with zones Business Parcel Express Overnight

Postal code	Location	Terminal name	Zones out	Postal code	Location	Terminal name	Zones out
5347	ÅGOTNES	BERGEN	1	5454	SÆBØVIK	HAUGESUND	2
5350	BRATTHOLMEN	BERGEN	1	5455	HALSNØY KLOSTER	HAUGESUND	2
5353	STRAUME	BERGEN	1	5457	HØYLANDSBYGD	HAUGESUND	2
5354	STRAUME	BERGEN	1	5458	ARNAVIK	HAUGESUND	2
5355	KNARREVIK	BERGEN	1	5459	FJELBERG	HAUGESUND	2
5357	FJELL	BERGEN	1	5460	HUSNES	HAUGESUND	2
5360	KOLLTVEIT	BERGEN	1	5462	HERØYSUNDET	HAUGESUND	2
5363	ÅGOTNES	BERGEN	1	5463	USKEDALEN	HAUGESUND	2
5365	TURØY	BERGEN	2	5464	DIMMELSVIK	HAUGESUND	2
5366	MISJE	BERGEN	2	5470	ROSENDAL	HAUGESUND	2
5378	KLOKKARVIK	BERGEN	2	5472	SEIMSFLOSS	HAUGESUND	2
5379	STEINSLAND	BERGEN	2	5473	SNILSTVEITØY	HAUGESUND	2
5380	TÆLAVÅG	BERGEN	2	5474	LØFALLSTRAND	HAUGESUND	2
5381	GLESVÆR	BERGEN	2	5475	ÆNES	HAUGESUND	2
5382	SKOGSVÅG	BERGEN	2	5476	MAURANGER	HAUGESUND	2
5384	TORANGSVÅG	BERGEN	2	5498	MATRE	HAUGESUND	2
5385	BAKKASUND	BERGEN	2	5499	ÅKRA	HAUGESUND	2
5387	MØKSTER	BERGEN	2	5514	HAUGESUND	HAUGESUND	1
5388	LITLAKALSØY	BERGEN	2	5515	HAUGESUND	HAUGESUND	1
5392	STOREBØ	BERGEN	2	5516	HAUGESUND	HAUGESUND	1
5394	KOLBEINSVIK	BERGEN	2	5517	HAUGESUND	HAUGESUND	1
5396	VESTRE VINNESVÅG	BERGEN	2	5518	HAUGESUND	HAUGESUND	1
5397	BEKKJARVIK	BERGEN	2	5519	HAUGESUND	HAUGESUND	1
5398	STOLMEN	BERGEN	2	5521	HAUGESUND	HAUGESUND	1
5410	SAGVÅG	HAUGESUND	0	5522	HAUGESUND	HAUGESUND	1
5411	STORD	HAUGESUND	1	5523	HAUGESUND	HAUGESUND	1
5412	STORD	HAUGESUND	1	5525	HAUGESUND	HAUGESUND	1
5413	HUGLO	HAUGESUND	2	5527	HAUGESUND	HAUGESUND	1
5414	STORD	HAUGESUND	1	5528	HAUGESUND	HAUGESUND	1
5415	STORD	HAUGESUND	1	5529	HAUGESUND	HAUGESUND	1
5416	STORD	HAUGESUND	1	5531	HAUGESUND	HAUGESUND	1
5417	STORD	HAUGESUND	1	5532	HAUGESUND	HAUGESUND	1
5419	FITJAR	HAUGESUND	2	5533	HAUGESUND	HAUGESUND	1
5420	RUBBESTADNESET	HAUGESUND	2	5534	HAUGESUND	HAUGESUND	1
5423	BRANDASUND	HAUGESUND	2	5535	HAUGESUND	HAUGESUND	1
5427	URANGSVÅG	HAUGESUND	2	5536	HAUGESUND	HAUGESUND	1
5428	FOLDROYHAMN	HAUGESUND	2	5537	HAUGESUND	HAUGESUND	1
5430	BREMNES	HAUGESUND	2	5538	HAUGESUND	HAUGESUND	1
5437	FINNÅS	HAUGESUND	2	5541	KOLNES	HAUGESUND	0
5440	MOSTERHAMN	HAUGESUND	2	5542	KARMSUND	HAUGESUND	1
5443	BØMLO	HAUGESUND	2	5545	VORMEDAL	HAUGESUND	1
5444	ESPEVÆR	HAUGESUND	2	5546	RØYKSUND	HAUGESUND	0
5450	SUNDE I SUNNHORD- LAND	HAUGESUND	2	5547	UTSIRA	HAUGESUND	2
5451	VALEN	HAUGESUND	2	5548	FEØY	HAUGESUND	2
5452	SANDVOLL	HAUGESUND	2	5549	RØVÆR	HAUGESUND	2
5453	UTÅKER	HAUGESUND	2	5550	SVEIO	HAUGESUND	0

### Location register with zones Business Parcel Express Overnight

Postal code	Location	Terminal name	Zones out	Postal code	Location	Terminal name	Zones out
5551	AUKLANDSHAMN	HAUGESUND	0	5683	REKSTEREN	NORDHEIMSUND	2
5554	VALEVÅG	HAUGESUND	0	5685	UGGDAL	NORDHEIMSUND	2
5555	FØRDE I HORDALAND	HAUGESUND	1	5687	FLATRÅKER	NORDHEIMSUND	2
5560	NEDSTRAND	HAUGESUND	1	5690	LUNDEGREND	NORDHEIMSUND	2
5561	BOKN	HAUGESUND	0	5693	ÅRBAKKA	NORDHEIMSUND	2
5563	FØRRESFJORDEN	HAUGESUND	0	5694	ONARHEIM	NORDHEIMSUND	2
5565	TYSVÆRVÅG	HAUGESUND	0	5700	VOSS	VOSS	2
5566	HERVIK	HAUGESUND	0	5704	VOSS	VOSS	2
5567	SKJOLDASTRAUMEN	HAUGESUND	0	5705	VOSS	VOSS	2
5568	VIKEBYGD	HAUGESUND	1	5706	VOSS	VOSS	2
5570	AKSDAL	HAUGESUND	0	5707	EVANGER	VOSS	2
5574	SKJOLD	HAUGESUND	0	5708	VOSS	VOSS	2
5576	ØVRE VATS	HAUGESUND	0	5709	VOSS	VOSS	2
5578	NEDRE VATS	HAUGESUND	1	5710	SKULESTADMO	VOSS	2
5580	ØLEN	HAUGESUND	1	5713	VOSSESTRAND	VOSS	2
5582	ØLENSVÅG	HAUGESUND	1	5715	STALHEIM	VOSS	2
5583	VIKEDAL	HAUGESUND	1	5718	MYRDAL	VOSS	2
5584	BJOA	HAUGESUND	1	5719	FINSE	VOSS	2
5585	SANDEID	HAUGESUND	1	5722	DALEKVAM	VOSS	2
5590	ETNE	HAUGESUND	2	5723	BOLSTADØYRI	VOSS	2
5593	SKÅNEVIK	HAUGESUND	2	5724	STANGHELLE	VOSS	2
5596	MARKHUS	HAUGESUND	2	5725	VAKSDAL	VOSS	1
5598	FJÆRA	HAUGESUND	2	5727	STAMNES	VOSS	2
5600	NORHEIMSUND	NORDHEIMSUND	2	5728	EIDSLANDET	VOSS	2
5610	ØYSTESE	NORDHEIMSUND	2	5729	MODALEN	VOSS	2
5612	STEINSTØ	NORDHEIMSUND	2	5730	ULVIK	VOSS	2
5614	ÅLVIK	NORDHEIMSUND	2	5734	VALLAVIK	VOSS	2
5620	TØRVIKBYGD	NORDHEIMSUND	2	5736	GRANVIN	VOSS	2
5626	KYSNESSTRAND	NORDHEIMSUND	2	5743	FLÅM	VOSS	2
5627	JONDAL	NORDHEIMSUND	2	5745	AURLAND	VOSS	2
5628	HERAND	NORDHEIMSUND	2	5746	UNDREDAL	VOSS	2
5630	STRANDEBARM	NORDHEIMSUND	2	5747	GUDVANGEN	VOSS	2
5632	OMASTRAND	NORDHEIMSUND	2	5748	STYVI	VOSS	2
5635	HATLESTRAND	NORDHEIMSUND	2	5750	ODDA	VOSS	2
5636	VARALDSØY	NORDHEIMSUND	2	5760	RØLDAL	VOSS	2
5637	ØLVE	NORDHEIMSUND	2	5763	SKARE	VOSS	2
5640	EIKELANDSOSEN	NORDHEIMSUND	2	5770	TYSSEDAL	VOSS	2
5641	FUSA	NORDHEIMSUND	2	5773	HOVLAND	VOSS	2
5642	HOLMEFJORD	NORDHEIMSUND	2	5776	NÅ	VOSS	2
5643	STRANDVIK	NORDHEIMSUND	2	5777	GRIMO	VOSS	2
5645	SÆVAREID	NORDHEIMSUND	2	5778	UTNE	VOSS	2
5646	NORDTVEITGREND	NORDHEIMSUND	2	5780	KINSARVIK	VOSS	2
5647	BALDERSHEIM	NORDHEIMSUND	2	5781	LOFTHUS	VOSS	2
5650	TYSSE	NORDHEIMSUND	2	5783	EIDFJORD	VOSS	2
5652	ÅRLAND	NORDHEIMSUND	2	5784	ØVRE EIDFJORD	VOSS	2
5680	TYSNES	NORDHEIMSUND	2	5785	VØRINGSFOSS	VOSS	2

### Location register with zones Business Parcel Express Overnight

Postal code	Location	Terminal name	Zones out	Postal code	Location	Terminal name	Zones out
5911	ALVERSUND	BERGEN	2	6015	ÅLESUND	ÅLESUND	1
5912	SEIM	BERGEN	2	6016	ÅLESUND	ÅLESUND	1
5913	EIKANGERVÅG	BERGEN	2	6017	ÅLESUND	ÅLESUND	1
5914	ISDALSTØ	BERGEN	1	6018	ÅLESUND	ÅLESUND	1
5915	HJELMÅS	BERGEN	2	6019	ÅLESUND	ÅLESUND	1
5916	ISDALSTØ	BERGEN	1	6020	ÅLESUND	ÅLESUND	1
5917	ROSSLAND	BERGEN	2	6030	LANGEVÅG	ÅLESUND	1
5918	FREKHAUG	BERGEN	1	6035	FISKARSTRAND	ÅLESUND	1
5919		BERGEN	1	6036	MAUSEIDVÅG	ÅLESUND	1
5936	MANGER	BERGEN	2	6037	EIDSNES	ÅLESUND	1
5937	BØVÅGEN	BERGEN	2	6040	VIGRA	ÅLESUND	1
5938	SÆBØVÅGEN	BERGEN	2	6050	VALDERØYA	ÅLESUND	1
5939	SLETTA	BERGEN	2	6052	GISKE	ÅLESUND	1
5943	AUSTRHEIM	BERGEN	2	6055	GODØYA	ÅLESUND	1
5947	FEDJE	BERGEN	2	6057	ELLINGSØY	ÅLESUND	1
5953	FONNES	BERGEN	2	6060	HAREID	ÅLESUND	1
5954	MONGSTAD	BERGEN	2	6062	BRANDAL	ÅLESUND	1
5955	LINDÅS	BERGEN	2	6063	HJØRUNGAVÅG	ÅLESUND	1
5956	HUNDEVIN	BERGEN	2	6064	HADDAL	ÅLESUND	1
5957	MYKING	BERGEN	2	6065	ULSTEINVIK	ÅLESUND	1
5960	DALSØYRA	BERGEN	2	6068	EIKSUND	ÅLESUND	1
5961	BREKKE	BERGEN	2	6070	TJØRVÅG	ÅLESUND	1
5962	BJORDAL	BERGEN	2	6076	MOLTUSTRANDA	ÅLESUND	1
5966	EIVINDVIK	BERGEN	2	6080	GURSKØY	ÅLESUND	1
5970	BYRKNESØY	BERGEN	2	6082	GURSKEN	ÅLESUND	1
5977	ÅNNELAND	BERGEN	2	6083	GJERDSVIKA	ÅLESUND	2
5978	MJØMNA	BERGEN	2	6084	LARSNES	ÅLESUND	2
5981	MASFJORDNES	BERGEN	2	6087	KVAMSØY	ÅLESUND	2
5983	HAUGSVÆR	BERGEN	2	6089	SANDSHAMN	ÅLESUND	2
5984	MATREDAL	BERGEN	2	6090	FOSNAVÅG	ÅLESUND	1
5986	HOSTELAND	BERGEN	2	6091	FOSNAVÅG	ÅLESUND	1
5993	OSTEREIDET	BERGEN	2	6092	FOSNAVÅG	ÅLESUND	1
5994	VIKANES	BERGEN	2	6094	LEINØY	ÅLESUND	2
6002	ÅLESUND	ÅLESUND	1	6095	BØLANDET	ÅLESUND	1
6003	ÅLESUND	ÅLESUND	1	6096	RUNDE	ÅLESUND	2
6004	ÅLESUND	ÅLESUND	1	6098	NERLANDSØY	ÅLESUND	2
6005	ÅLESUND	ÅLESUND	1	6100	VOLDA	VOLDA	1
6006	ÅLESUND	ÅLESUND	1	6102	VOLDA	VOLDA	1
6007	ÅLESUND	ÅLESUND	1	6103	VOLDA	VOLDA	1
6008	ÅLESUND	ÅLESUND	1	6104	VOLDA	VOLDA	1
6009	ÅLESUND	ÅLESUND	1	6105	VOLDA	VOLDA	1
6010	ÅLESUND	ÅLESUND	1	6106	VOLDA	VOLDA	1
6011	ÅLESUND	ÅLESUND	1	6110	AUSTEFJORDEN	VOLDA	2
6012	ÅLESUND	ÅLESUND	1	6120	FOLKESTAD	VOLDA	2
6013	ÅLESUND	ÅLESUND	1	6133	LAUVSTAD	VOLDA	2
6014	ÅLESUND	ÅLESUND	1	6140	SYVDE	VOLDA	2

### ■ ■ Location register with zones Business Parcel Express Overnight

Postal code	Location	Terminal name	Zones out	Postal code	Location	Terminal name	Zones out
6141	ROVDE	VOLDA	2	6310	VEBLUNGSNES	MOLDE	1
6142	EIDSÅ	VOLDA	2	6315	INNFJORDEN	MOLDE	1
6143	FISKÅ	VOLDA	2	6320	ISFJORDEN	MOLDE	1
6144	SYLTE	VOLDA	2	6330	VERMA	MOLDE	2
6146	ÅHEIM	VOLDA	2	6350	EIDSBYGDA	MOLDE	2
6149	ÅRAM	VOLDA	2	6360	ÅFARNES	MOLDE	1
6150	ØRSTA	VOLDA	1	6363	MITTET	MOLDE	2
6152	ØRSTA	VOLDA	1	6364	VISTDAL	MOLDE	2
6153	ØRSTA	VOLDA	1	6386	MÅNDALEN	MOLDE	1
6154	ØRSTA	VOLDA	1	6387	VÅGSTRANDA	MOLDE	1
6155	ØRSTA	VOLDA	1	6390	VESTNES	MOLDE	1
6156	ØRSTA	VOLDA	1	6391	TRESFJORD	MOLDE	1
6160	HOVDEBYGDA	VOLDA	1	6392	VIKEBUKT	MOLDE	1
6165	SÆBØ	VOLDA	2	6393	TOMREFJORD	MOLDE	1
6170	VARTDAL	VOLDA	1	6394	FIKSDAL	MOLDE	2
6174	BARSTADVIK	VOLDA	1	6395	REKDAL	MOLDE	2
6183	TRANDAL	VOLDA	2	6408	AUREOSEN	MOLDE	1
6184	STORESTANDAL	VOLDA	2	6409	MOLDE	MOLDE	1
6190	BJØRKE	VOLDA	2	6410	MOLDE	MOLDE	1
6196	NORANGSFJORDEN	VOLDA	2	6411	MOLDE	MOLDE	1
6200	STRANDA	ÅLESUND	1	6412	MOLDE	MOLDE	1
6210	VALLDAL	ÅLESUND	1	6413	MOLDE	MOLDE	1
6212	LIABYGDA	ÅLESUND	1	6414	MOLDE	MOLDE	1
6213	TAFJORD	ÅLESUND	2	6415	MOLDE	MOLDE	1
6214	NORDDAL	ÅLESUND	2	6416	MOLDE	MOLDE	1
6215	EIDSDAL	ÅLESUND	2	6418	SEKKEN	MOLDE	2
6216	GEIRANGER	ÅLESUND	2	6419	MOLDE	MOLDE	1
6218	HELLESYLT	ÅLESUND	2	6421	MOLDE	MOLDE	1
6220	STRAUMGJERDE	ÅLESUND	1	6422	MOLDE	MOLDE	1
6222	IKORNES	ÅLESUND	1	6423	MOLDE	MOLDE	1
6224	HUNDEIDVIK	ÅLESUND	2	6425	MOLDE	MOLDE	1
6230	SYKKYLVEN	ÅLESUND	1	6429	MOLDE	MOLDE	1
6240	ØRSKOG	ÅLESUND	1	6430	BUD	MOLDE	1
6250	STORDAL	ÅLESUND	1	6433	HUSTAD	MOLDE	1
6260	SKODJE	ÅLESUND	0	6440	ELNESVÅGEN	MOLDE	1
6264	TENNFJORD	ÅLESUND	1	6443	TORNES I ROMSDAL	MOLDE	1
6265	VATNE	ÅLESUND	1	6444	FARSTAD	MOLDE	1
6270	BRATTVÅG	ÅLESUND	1	6445	MALMEFJORDEN	MOLDE	1
6272	HILDRE	ÅLESUND	1	6450	HJELSET	MOLDE	0
6280	SØVIK	ÅLESUND	1	6453	KLEIVE	MOLDE	0
6285	STOREKALVØY	ÅLESUND	2	6455	KORTGARDEN	MOLDE	1
6290	HARAMSØY	ÅLESUND	2	6456	SKÅLA	MOLDE	0
6292	KJERSTAD	ÅLESUND	2	6457	BOLSØYA	MOLDE	0
6293	LONGVA	ÅLESUND	2	6460	EIDSVÅG I ROMSDAL	MOLDE	1
6294	FJØRTOFT	ÅLESUND	2	6462	RAUDSAND	MOLDE	2
6300	ÅNDALSNES	MOLDE	1	6470	ERESFJORD	MOLDE	2

### ■ ■ Location register with zones Business Parcel Express Overnight

Postal code	Location	Terminal name	Zones out	Postal code	Location	Terminal name	Zones out
6472	EIKESDAL	MOLDE	2	6636	ANGVIK	KRISTIANSUND	1
6475	MIDSUND	MOLDE	2	6637	FLEMMÅ	KRISTIANSUND	1
6480	AUKRA	MOLDE	2	6638	OSMARKA	KRISTIANSUND	1
6483	ONA	MOLDE	2	6639	TORVIKBUKT	KRISTIANSUND	1
6484	SANDØY	MOLDE	2	6640	KVANNE	KRISTIANSUND	2
6486	ORTEN	MOLDE	2	6642	STANGVIK	KRISTIANSUND	2
6487	HARØY	MOLDE	2	6643	BØFJORDEN	KRISTIANSUND	2
6488	MYKLEBOST	MOLDE	2	6644	BÆVERFJORD	KRISTIANSUND	2
6490	EIDE	MOLDE	1	6645	TODALEN	KRISTIANSUND	2
6493	LYNGSTAD	MOLDE	1	6650	SURNADAL	KRISTIANSUND	2
6494	VEVANG	MOLDE	1	6652	SURNA	KRISTIANSUND	2
6507	KRISTIANSUND N	KRISTIANSUND	1	6653	ØVRE SURNADAL	KRISTIANSUND	2
6508	KRISTIANSUND N	KRISTIANSUND	1	6655	VINDØLA	KRISTIANSUND	2
6509	KRISTIANSUND N	KRISTIANSUND	1	6657	RINDAL	KRISTIANSUND	2
6510	KRISTIANSUND N	KRISTIANSUND	1	6658	RINDALSSKOGEN	KRISTIANSUND	2
6511	KRISTIANSUND N	KRISTIANSUND	1	6670	ØYDEGARD	KRISTIANSUND	2
6512	KRISTIANSUND N	KRISTIANSUND	1	6674	KVISVIK	KRISTIANSUND	2
6514	KRISTIANSUND N	KRISTIANSUND	1	6680	HALSANAUSTAN	KRISTIANSUND	2
6515	KRISTIANSUND N	KRISTIANSUND	1	6683	VÅGLAND	KRISTIANSUND	2
6516	KRISTIANSUND N	KRISTIANSUND	1	6686	VALSØYBOTN	KRISTIANSUND	2
6517	KRISTIANSUND N	KRISTIANSUND	1	6687	VALSØYFJORD	KRISTIANSUND	2
6518	KRISTIANSUND N	KRISTIANSUND	1	6690	AURE	KRISTIANSUND	2
6520	FREI	KRISTIANSUND	2	6693	MJOSUNDET	KRISTIANSUND	2
6521	FREI	KRISTIANSUND	2	6694	FOLDFJORDEN	KRISTIANSUND	2
6522	FREI	KRISTIANSUND	1	6697	VIHALS	KRISTIANSUND	2
6523	FREI	KRISTIANSUND	1	6698	LESUND	KRISTIANSUND	2
6524	FREI	KRISTIANSUND	1	6699	KJØRSVIKBUGEN	KRISTIANSUND	2
6525	FREI	KRISTIANSUND	1	6700	MÅLØY	VOLDA	2
6530	AVERØY	KRISTIANSUND	1	6710	RAUDEBERG	VOLDA	2
6531	AVERØY	KRISTIANSUND	1	6711	BRYGGJA	VOLDA	2
6532	AVERØY	KRISTIANSUND	1	6713	ALMENNINGEN	VOLDA	2
6533	AVERØY	KRISTIANSUND	1	6714	SILDA	VOLDA	2
6570	SMØLA	KRISTIANSUND	2	6715	BARMEN	VOLDA	2
6590	TUSTNA	KRISTIANSUND	2	6716	HUSEVÅG	VOLDA	2
6600	SUNNDALSØRA	KRISTIANSUND	1	6717	FLATRAKET	VOLDA	2
6610	ØKSENDAL	KRISTIANSUND	1	6718	DEKNEPOLLEN	VOLDA	2
6611	FURUGRENDA	KRISTIANSUND	1	6719	SKATESTRAUMEN	VOLDA	2
6612	GRØA	KRISTIANSUND	2	6723	SVELGEN	VOLDA	2
6613	GJØRA	KRISTIANSUND	2	6727	BREMANGER	VOLDA	2
6620	ÅLVUNDEID	KRISTIANSUND	2	6729	KALVÅG	VOLDA	2
6622	ÅLVUNDFJORD	KRISTIANSUND	2	6730	DAVIK	VOLDA	2
6628	MEISINGSET	KRISTIANSUND	2	6734	RUGSUND	VOLDA	2
6629	TORJULVÅGEN	KRISTIANSUND	2	6737	ÅLFOTEN	VOLDA	2
6630	TINGVOLL	KRISTIANSUND	2	6740	SELJE	VOLDA	2
6631	BATNFJORDSØRA	KRISTIANSUND	1	6750	STADLANDET	VOLDA	2
6633	GJEMNES	KRISTIANSUND	1	6763	HORNINDAL	VOLDA	2

### Location register with zones Business Parcel Express Overnight

Postal code	Location	Terminal name	Zones out	Postal code	Location	Terminal name	Zones out
6770	NORDFJORDEID	VOLDA	2	6871	JOSTEDAL	SOGNDAL	2
6773		VOLDA	2	6872	LUSTER	SOGNDAL	1
6774		VOLDA	2	6873	MARIFJØRA	SOGNDAL	1
6776	KJØLSDALEN	VOLDA	2	6875	HØYHEIMSVIK	SOGNDAL	1
6777	STÅRHEIM	VOLDA	2	6876	SKJOLDEN	SOGNDAL	2
6778	LOTE	VOLDA	2	6877	FORTUN	SOGNDAL	2
6779	HOLMØYANE	VOLDA	2	6878	VEITASTROND	SOGNDAL	2
6783	STRYN	VOLDA	0	6879	SOLVORN	SOGNDAL	2
6788	OLDEN	VOLDA	2	6884	ØVRE ÅRDAL	SOGNDAL	1
6789	LOEN	VOLDA	2	6885	ÅRDALSTANGEN	SOGNDAL	1
6791	OLDEDALEN	VOLDA	2	6887	LÆRDAL	SOGNDAL	1
6792	BRIKSDALSBRE	VOLDA	2	6888	BORGUND	SOGNDAL	2
6793	INNVIK	VOLDA	2	6893	VIK I SOGN	SOGNDAL	2
6795	BLAKSÆTER	VOLDA	2	6894	VANGSNES	SOGNDAL	2
6796	HOPLAND	VOLDA	2	6895	FEIOS	SOGNDAL	2
6797	UTVIK	VOLDA	2	6896	FRESVIK	SOGNDAL	2
6798	HJELLEDALEN	VOLDA	2	6899	BALESTRAND	SOGNDAL	2
6799	OPPSTRYN	VOLDA	2	6900	FLORØ	FLORØ	1
6800	FØRDE	FLORØ	1	6905	FLORØ	FLORØ	1
6809	FØRDE	FLORØ	1	6906	FLORØ	FLORØ	1
6810	FØRDE	FLORØ	0	6907	FLORØ	FLORØ	1
6811	FØRDE	FLORØ	1	6908	FLORØ	FLORØ	1
6812	FØRDE	FLORØ	1	6910	FLORØ	FLORØ	1
6813	FØRDE	FLORØ	1	6912	KINN	FLORØ	2
6814	FØRDE	FLORØ	1	6913	FLORØ	FLORØ	2
6815	FØRDE	FLORØ	1	6914	SVANØYBUKT	FLORØ	2
6817	NAUSTDAL	FLORØ	1	6915	ROGNALDSVÅG	FLORØ	2
6818	HAUKEDALEN	FLORØ	2	6916	BAREKSTAD	FLORØ	2
6819	FØRDE	FLORØ	0	6917	BATALDEN	FLORØ	2
6823	SANDANE	FLORØ	1	6918	SØR-SKORPA	FLORØ	2
6826	BYRKJELO	FLORØ	2	6919	TANSØY	FLORØ	2
6827	BREIM	FLORØ	2	6924	HARDBAKKE	FLORØ	2
6828	HESTENESØYRA	FLORØ	2	6926	KRAKHELLA	FLORØ	2
6829	HYEN	FLORØ	2	6927	YTRØYGREND	FLORØ	2
6843	SKEI I JØLSTER	FLORØ	2	6928	KOLGROV	FLORØ	2
6847	VASSENDEN	FLORØ	1	6929	HERSVIKBYGDA	FLORØ	2
6848	FJÆRLAND	FLORØ	2	6940	EIKEFJORD	FLORØ	1
6854	KAUPANGER	SOGNDAL	1	6942	SVORTEVIK	FLORØ	2
6855	FRØNNINGEN	SOGNDAL	2	6944	STAVANG	FLORØ	2
6856	SOGNDAL	SOGNDAL	1	6947	LAVIK	FLORØ	1
6858	FARDAL	SOGNDAL	0	6953	LEIRVIK I SOGN	FLORØ	1
6859	SLINDE	SOGNDAL	1	6957	HYLLESTAD	FLORØ	1
6863	LEIKANGER	SOGNDAL	1	6958	SØRBØVÅG	FLORØ	1
6868	GAUPNE	SOGNDAL	1	6963	DALE I SUNNFJORD	FLORØ	1
6869	HAFSLO	SOGNDAL	1	6964	KORSSUND	FLORØ	2
6870	ORNES	SOGNDAL	2	6966	GUDDAL	FLORØ	2

### Location register with zones Business Parcel Express Overnight

Postal code	Location	Terminal name	Zones out	Postal code	Location	Terminal name	Zones out
6967	HELLEVIK I FJALER	FLORØ	1	7039	TRONDHEIM	TRONDHEIM	1
6968	FLEKKE	FLORØ	1	7040	TRONDHEIM	TRONDHEIM	1
6969	STRAUMSNES	FLORØ	1	7041	TRONDHEIM	TRONDHEIM	1
6973	SANDE I SUNNFJORD	FLORØ	1	7042	TRONDHEIM	TRONDHEIM	1
6975	SKILBREI	FLORØ	1	7043	TRONDHEIM	TRONDHEIM	1
6977	BYGSTAD	FLORØ	1	7044	TRONDHEIM	TRONDHEIM	1
6978	VIKSDALEN	FLORØ	2	7045	TRONDHEIM	TRONDHEIM	1
6980	ASKVOLL	FLORØ	1	7046	TRONDHEIM	TRONDHEIM	1
6982	HOLMEDAL	FLORØ	1	7047	TRONDHEIM	TRONDHEIM	1
6983	KVAMMEN	FLORØ	2	7048	TRONDHEIM	TRONDHEIM	1
6984	STONGFJORDEN	FLORØ	1	7049	TRONDHEIM	TRONDHEIM	1
6985	ATLØY	FLORØ	2	7050	TRONDHEIM	TRONDHEIM	1
6986	VÆRLANDET	FLORØ	2	7051	TRONDHEIM	TRONDHEIM	1
6987	BULANDET	FLORØ	2	7052	TRONDHEIM	TRONDHEIM	1
6993	HØYANGER	FLORØ	2	7053	RANHEIM	TRONDHEIM	1
6995	KYRKJEBØ	FLORØ	2	7054	RANHEIM	TRONDHEIM	1
6996	VADHEIM	FLORØ	1	7055	RANHEIM	TRONDHEIM	1
7010	TRONDHEIM	TRONDHEIM	1	7056	RANHEIM	TRONDHEIM	1
7011	TRONDHEIM	TRONDHEIM	1	7057	JONSVATNET	TRONDHEIM	1
7012	TRONDHEIM	TRONDHEIM	1	7058	JAKOBSLI	TRONDHEIM	1
7013	TRONDHEIM	TRONDHEIM	1	7059	JAKOBSLI	TRONDHEIM	1
7014	TRONDHEIM	TRONDHEIM	1	7066	TRONDHEIM	TRONDHEIM	1
7015	TRONDHEIM	TRONDHEIM	1	7067	TRONDHEIM	TRONDHEIM	1
7016	TRONDHEIM	TRONDHEIM	1	7068	TRONDHEIM	TRONDHEIM	1
7017	TRONDHEIM	TRONDHEIM	1	7069	TRONDHEIM	TRONDHEIM	1
7018	TRONDHEIM	TRONDHEIM	1	7070	BOSBERG	TRONDHEIM	1
7019	TRONDHEIM	TRONDHEIM	1	7071	TRONDHEIM	TRONDHEIM	1
7020	TRONDHEIM	TRONDHEIM	1	7072	HEIMDAL	TRONDHEIM	1
7021	TRONDHEIM	TRONDHEIM	1	7074	SPONGDAL	TRONDHEIM	1
7022	TRONDHEIM	TRONDHEIM	1	7075	TILLER	TRONDHEIM	1
7023	TRONDHEIM	TRONDHEIM	1	7078	SAUPSTAD	TRONDHEIM	1
7024	TRONDHEIM	TRONDHEIM	1	7079	FLATÅSEN	TRONDHEIM	1
7025	TRONDHEIM	TRONDHEIM	1	7080	HEIMDAL	TRONDHEIM	1
7026	TRONDHEIM	TRONDHEIM	1	7081	SJETNEMARKA	TRONDHEIM	1
7027	TRONDHEIM	TRONDHEIM	1	7082	KATTEM	TRONDHEIM	1
7028	TRONDHEIM	TRONDHEIM	1	7083	LEINSTRAND	TRONDHEIM	0
7029	TRONDHEIM	TRONDHEIM	1	7088	HEIMDAL	TRONDHEIM	1
7030	TRONDHEIM	TRONDHEIM	1	7089	HEIMDAL	TRONDHEIM	0
7031	TRONDHEIM	TRONDHEIM	1	7091	TILLER	TRONDHEIM	1
7032	TRONDHEIM	TRONDHEIM	1	7092	TILLER	TRONDHEIM	1
7033	TRONDHEIM	TRONDHEIM	1	7093	TILLER	TRONDHEIM	1
7034	TRONDHEIM	TRONDHEIM	1	7097	SAUPSTAD	TRONDHEIM	1
7035	TRONDHEIM	TRONDHEIM	1	7098	SAUPSTAD	TRONDHEIM	1
7036	TRONDHEIM	TRONDHEIM	1	7099	FLATÅSEN	TRONDHEIM	1
7037	TRONDHEIM	TRONDHEIM	1	7100	RISSA	TRONDHEIM	2
7038	TRONDHEIM	TRONDHEIM	1	7105	STADSBYGD	TRONDHEIM	2

### Location register with zones Business Parcel Express Overnight

Postal code	Location	Terminal name	Zones out	Postal code	Location	Terminal name	Zones out
7110	FEVÅG	TRONDHEIM	2	7257	SNILLFJORD	TRONDHEIM	2
7112	HASSELVIKA	TRONDHEIM	2	7260	SISTRANDA	TRONDHEIM	2
7113	HUSBYSJØEN	TRONDHEIM	2	7263	HAMARVIK	TRONDHEIM	2
7114	RÅKVÅG	TRONDHEIM	2	7266	KVERVA	TRONDHEIM	2
7120	LEKSVIK	TRONDHEIM	2	7268	TITRAN	TRONDHEIM	2
7125	VANVIKAN	TRONDHEIM	2	7270	DYRVIK	TRONDHEIM	2
7130	BREKSTAD	TRONDHEIM	2	7273	NORDDYRØY	TRONDHEIM	2
7140	OPPHAUG	TRONDHEIM	2	7280	SULA	TRONDHEIM	2
7142	UTHAUG	TRONDHEIM	2	7282	BOGØYVÆR	TRONDHEIM	2
7150	STORFOSNA	TRONDHEIM	2	7284	MAUSUND	TRONDHEIM	2
7152	KRÅKVÅG	TRONDHEIM	2	7285	GJÆSINGEN	TRONDHEIM	2
7153	GARTEN	TRONDHEIM	2	7286	SØRBUØY	TRONDHEIM	2
7156	LEKSA	TRONDHEIM	2	7287	SAUØY	TRONDHEIM	2
7160	BJUGN	TRONDHEIM	2	7288	SOKNEDAL	TRONDHEIM	1
7165	OKSVOLL	TRONDHEIM	2	7290	STØREN	TRONDHEIM	1
7166	TARVA	TRONDHEIM	2	7295	ROGNES	TRONDHEIM	2
7167	VALLERSUND	TRONDHEIM	2	7298	BUDALEN	TRONDHEIM	2
7168	LYSØYSUNDET	TRONDHEIM	2	7300	ORKANGER	TRONDHEIM	2
7170	ÅFJORD	TRONDHEIM	2	7310	GJØLME	TRONDHEIM	2
7176	LINESØYA	TRONDHEIM	2	7316	LENSVIK	TRONDHEIM	2
7177	REVSNES	TRONDHEIM	2	7318	AGDENES	TRONDHEIM	2
7178	STOKKØY	TRONDHEIM	2	7320	FANNREM	TRONDHEIM	1
7180	ROAN	TRONDHEIM	2	7327	SVORKMO	TRONDHEIM	1
7190	BESSAKER	TRONDHEIM	2	7332	LØKKEN VERK	TRONDHEIM	1
7194	BRANDSFJORD	TRONDHEIM	2	7334	STORÅS	TRONDHEIM	2
7200	KYRKSÆTERØRA	TRONDHEIM	2	7335	JERPSTAD	TRONDHEIM	2
7203	VINJEØRA	TRONDHEIM	2	7336	MELDAL	TRONDHEIM	1
7206	HELLANDSJØEN	TRONDHEIM	2	7340	OPPDAL	TRONDHEIM	1
7212	KORSVEGEN	TRONDHEIM	2	7342	LØNSET	TRONDHEIM	2
7213	GÅSBAKKEN	TRONDHEIM	2	7343	VOGNILL	TRONDHEIM	2
7224	MELHUS	TRONDHEIM	1	7345	DRIVA	TRONDHEIM	2
7227	GIMSE	TRONDHEIM	1	7350	BUVIKA	TRONDHEIM	2
7228	KVÅL	TRONDHEIM	0	7353	BØRSA	TRONDHEIM	1
7232	LUNDAMO	TRONDHEIM	0	7354	VIGGJA	TRONDHEIM	2
7234	LER	TRONDHEIM	0	7355	EGGKLEIVA	TRONDHEIM	2
7236	HOVIN I GAULDAL	TRONDHEIM	0	7357	SKAUN	TRONDHEIM	2
7240	HITRA	TRONDHEIM	2	7370	BREKKEBYGD	TRONDHEIM	1
7241	ANSNES	TRONDHEIM	2	7372	GLÅMOS	TRONDHEIM	1
7242	KNARRLAGSUND	TRONDHEIM	2	7374	RØROS	TRONDHEIM	1
7243	KVENVÆR	TRONDHEIM	2	7380	ÅLEN	TRONDHEIM	1
7246	SANDSTAD	TRONDHEIM	2	7383	HALTDALEN	TRONDHEIM	1
7247	HESTVIKA	TRONDHEIM	2	7387	SINGSÅS	TRONDHEIM	2
7250	MELANDSJØ	TRONDHEIM	2	7391	RENNEBU	TRONDHEIM	1
7252	DOLMØY	TRONDHEIM	2	7392	RENNEBU	TRONDHEIM	1
7255	SUNDLANDET	TRONDHEIM	2	7393	RENNEBU	TRONDHEIM	1
7256	HEMNSKJELA	TRONDHEIM	2	7397	RENNEBU	TRONDHEIM	1

### Location register with zones Business Parcel Express Overnight

Postal code	Location	Terminal name	Zones out	Postal code	Location	Terminal name	Zones out
7398	RENNEBU	TRONDHEIM	1	7650	VERDAL	STEINKJER	1
7500	STJØRDAL	TRONDHEIM	2	7652	VERDAL	STEINKJER	1
7502	STJØRDAL	TRONDHEIM	2	7653	VERDAL	STEINKJER	1
7503	STJØRDAL	TRONDHEIM	2	7654	VERDAL	STEINKJER	1
7504	STJØRDAL	TRONDHEIM	2	7655	VERDAL	STEINKJER	1
7505	STJØRDAL	TRONDHEIM	2	7656	VERDAL	STEINKJER	1
7506	STJØRDAL	TRONDHEIM	2	7657	VERDAL	STEINKJER	1
7507	STJØRDAL	TRONDHEIM	2	7660	VUKU	STEINKJER	2
7509	STJØRDAL	TRONDHEIM	1	7670	INDERØY	STEINKJER	2
7510	SKATVAL	TRONDHEIM	1	7690	MOSVIK	STEINKJER	2
7512	STJØRDAL	TRONDHEIM	2	7710	SPARBU	STEINKJER	2
7513	STJØRDAL	TRONDHEIM	1	7711	STEINKJER	STEINKJER	2
7514	STJØRDAL	TRONDHEIM	1	7712	STEINKJER	STEINKJER	1
7517	HELL	TRONDHEIM	2	7713	STEINKJER	STEINKJER	1
7519	ELVARLI	TRONDHEIM	1	7714	STEINKJER	STEINKJER	1
7520	HEGRA	TRONDHEIM	1	7715	STEINKJER	STEINKJER	1
7525	FLORNES	TRONDHEIM	2	7716	STEINKJER	STEINKJER	1
7530	MERÅKER	TRONDHEIM	2	7717	STEINKJER	STEINKJER	1
7533	KOPPERÅ	TRONDHEIM	2	7718	STEINKJER	STEINKJER	1
7540	KLÆBU	TRONDHEIM	0	7724	STEINKJER	STEINKJER	2
7549	TANEM	TRONDHEIM	0	7725	STEINKJER	STEINKJER	1
7550	HOMMELVIK	TRONDHEIM	0	7730	BEITSTAD	STEINKJER	2
7560	VIKHAMMER	TRONDHEIM	0	7732	STEINKJER	STEINKJER	1
7562	SAKSVIK	TRONDHEIM	0	7740	STEINSDALEN	STEINKJER	2
7563	MALVIK	TRONDHEIM	0	7742	YTTERVÅG	STEINKJER	2
7580	SELBU	TRONDHEIM	2	7744	HEPSØY	STEINKJER	2
7584	SELBUSTRAND	TRONDHEIM	2	7745	OPPLAND	STEINKJER	2
7590	TYDAL	TRONDHEIM	2	7746	HASVÅG	STEINKJER	2
7596	FLAKNAN	TRONDHEIM	2	7748	SÆTERVIK	STEINKJER	2
7600	LEVANGER	STEINKJER	1	7750	NAMDALSEID	STEINKJER	2
7602	LEVANGER	STEINKJER	1	7760	SNÅSA	STEINKJER	2
7603	LEVANGER	STEINKJER	1	7770	FLATANGER	STEINKJER	2
7604	LEVANGER	STEINKJER	1	7777	NORD-STATLAND	STEINKJER	2
7605	LEVANGER	STEINKJER	1	7790	MALM	STEINKJER	2
7606	LEVANGER	STEINKJER	1	7796	FOLLAFOSS	STEINKJER	2
7607	LEVANGER	STEINKJER	1	7797	VERRABOTN	STEINKJER	2
7608	LEVANGER	STEINKJER	1	7800	NAMSOS	STEINKJER	2
7609	LEVANGER	STEINKJER	1	7802	NAMSOS	STEINKJER	2
7620	SKOGN	STEINKJER	1	7803	NAMSOS	STEINKJER	2
7622	MARKABYGDA	STEINKJER	2	7804	NAMSOS	STEINKJER	2
7623	RONGLAN	STEINKJER	2	7805	NAMSOS	STEINKJER	2
7624	EKNE	STEINKJER	2	7810	NAMSOS	STEINKJER	2
7629	YTTERØY	STEINKJER	2	7817	SALSNES	STEINKJER	2
7630	ÅSEN	STEINKJER	2	7818	LUND	STEINKJER	2
7632	ÅSENFJORD	STEINKJER	2	7819	FOSSLANDSOSEN	STEINKJER	2
7633	FROSTA	STEINKJER	2	7820	SPILLUM	STEINKJER	2



### ■ ■ Location register with zones Business Parcel Express Overnight

Postal code	Location	Terminal name	Zones out	Postal code	Location	Terminal name	Zones out
7822	BANGSUND	STEINKJER	2	8022	BODØ	FAUSKE	1
7856	JØA	STEINKJER	2	8023	BODØ	FAUSKE	1
7860	SKAGE I NAMDALEN	STEINKJER	2	8026	BODØ	FAUSKE	1
7863	OVERHALLA	STEINKJER	2	8027	BODØ	FAUSKE	1
7870	GRONG	STEINKJER	2	8028	BODØ	FAUSKE	1
7873	HARRAN	STEINKJER	2	8029	BODØ	FAUSKE	1
7876		STEINKJER	2	8030	BODØ	FAUSKE	1
7877		STEINKJER	2	8050	TVERLANDET	FAUSKE	0
7882	NORDLI	STEINKJER	2	8056	SALTSTRAUMEN	FAUSKE	1
7884	SØRLI	STEINKJER	2	8063	VÆRØY	FAUSKE	1
7890	NAMSSKOGAN	STEINKJER	2	8064	RØST	FAUSKE	2
7892	TRONES	STEINKJER	2	8070	BODØ	FAUSKE	1
7893	SKOROVATN	STEINKJER	2	8071	BODØ	FAUSKE	1
7896	BREKKVASSELV	STEINKJER	2	8072	BODØ	FAUSKE	1
7898	LIMINGEN	STEINKJER	2	8073	BODØ	FAUSKE	1
7900	RØRVIK	STEINKJER	2	8074	BODØ	FAUSKE	1
7940	OTTERSØY	STEINKJER	2	8075	BODØ	FAUSKE	1
7944	INDRE NÆRØY	STEINKJER	2	8076	BODØ	FAUSKE	1
7950	ABELVÆR	STEINKJER	2	8079	BODØ	FAUSKE	1
7960	SALSBRUKET	STEINKJER	2	8093	KJERRINGØY	FAUSKE	2
7970	KOLVEREID	STEINKJER	2	8094	FLEINVÆR	FAUSKE	2
7973	GJERDINGA	STEINKJER	2	8095	HELLIGVÆR	FAUSKE	2
7980	TERRÅK	STEINKJER	2	8096	BLIKSVÆR	FAUSKE	2
7981	HARANGSFJORD	STEINKJER	2	8097	GIVÆR	FAUSKE	2
7982	BINDALSEIDET	STEINKJER	2	8098	LANDEGODE	FAUSKE	2
7985	FOLDEREID	STEINKJER	2	8099	JAN MAYEN	FAUSKE	2
7990	NAUSTBUKTA	STEINKJER	2	8100	MISVÆR	FAUSKE	2
7993	GUTVIK	STEINKJER	2	8102	SKJERSTAD	FAUSKE	2
7994	LEKA	STEINKJER	2	8103	BREIVIK I SALTEN	FAUSKE	2
8003	BODØ	FAUSKE	1	8110	MOLDJORD	FAUSKE	2
8004	BODØ	FAUSKE	1	8114	TOLLÅ	FAUSKE	2
8005	BODØ	FAUSKE	1	8120	NYGÅRDSJØEN	FAUSKE	2
8006	BODØ	FAUSKE	1	8128	YTRE BEIARN	FAUSKE	2
8007	BODØ	FAUSKE	1	8130	SANDHORNØY	FAUSKE	2
8008	BODØ	FAUSKE	1	8135	SØRARNØY	FAUSKE	2
8009	BODØ	FAUSKE	1	8136	NORDARNØY	FAUSKE	2
8010	BODØ	FAUSKE	1	8140	INNDYR	FAUSKE	2
8011	BODØ	FAUSKE	1	8145	STORVIK	FAUSKE	2
8012	BODØ	FAUSKE	1	8146	REIPÅ	FAUSKE	2
8013	BODØ	FAUSKE	1	8149	NEVERDAL	FAUSKE	2
8014	BODØ	FAUSKE	1	8150	ØRNES	FAUSKE	2
8015	BODØ	FAUSKE	1	8157	MELØY	FAUSKE	2
8016	BODØ	FAUSKE	1	8158	BOLGA	FAUSKE	2
8019	BODØ	FAUSKE	1	8159	STØTT	FAUSKE	2
8020	BODØ	FAUSKE	1	8160	GLOMFJORD	FAUSKE	2
8021	BODØ	FAUSKE	1	8170	ENGAVÅGEN	FAUSKE	2

### ■ ■ Location register with zones Business Parcel Express Overnight

Postal code	Location	Terminal name	Zones out	Postal code	Location	Terminal name	Zones out
8178	HALSA	FAUSKE	2	8294	HAMARØY	FAUSKE	2
8181	MYKEN	FAUSKE	2	8297	TRANØY	FAUSKE	2
8182	MELFJORDBOTN	FAUSKE	2	8300	SVOLVÆR	HARSTAD	1
8184	ÅGSKARDET	FAUSKE	2	8310	KABELVÅG	HARSTAD	1
8185	VÅGAHOLMEN	FAUSKE	2	8312	HENNINGSVÆR	HARSTAD	1
8186	TJONGSFJORDEN	FAUSKE	2	8313	KLEPPSTAD	HARSTAD	1
8187	JEKTVIK	FAUSKE	2	8314	GIMSØYSAND	HARSTAD	1
8188	NORDVERNES	FAUSKE	2	8315	LAUKVIK	HARSTAD	2
8189	GJERSVIKGRENDA	FAUSKE	2	8316	LAUPSTAD	HARSTAD	2
8190	SØRFJORDEN	FAUSKE	2	8317	STRØNSTAD	HARSTAD	2
8193	RØDØY	FAUSKE	2	8320	SKROVA	HARSTAD	2
8195	GJERØY	FAUSKE	2	8322	BRETTESNES	HARSTAD	2
8196	SELSØYVIK	FAUSKE	2	8323	STORFJELL	HARSTAD	2
8197	STORSØY	FAUSKE	2	8324	DIGERMULEN	HARSTAD	2
8198	NORDNESØY	FAUSKE	2	8325	TENGEFJORD	HARSTAD	2
8200	FAUSKE	FAUSKE	1	8326	MYRLAND	HARSTAD	2
8206	FAUSKE	FAUSKE	1	8328	STORMOLLA	HARSTAD	2
8207	FAUSKE	FAUSKE	0	8340	STAMSUND	HARSTAD	1
8208	FAUSKE	FAUSKE	1	8352	SENNESVIK	HARSTAD	1
8209	FAUSKE	FAUSKE	1	8357	VALBERG	HARSTAD	1
8210	FAUSKE	FAUSKE	1	8360	BØSTAD	HARSTAD	1
8211	FAUSKE	FAUSKE	1	8370	LEKNES	HARSTAD	0
8214	FAUSKE	FAUSKE	1	8372	GRAVDAL	HARSTAD	0
8215	VALNESFJORD	FAUSKE	1	8373	BALLSTAD	HARSTAD	1
8218	FAUSKE	FAUSKE	1	8380	RAMBERG	HARSTAD	1
8219	FAUSKE	FAUSKE	1	8382	NAPP	HARSTAD	1
8220	RØSVIK	FAUSKE	2	8384	SUND I LOFOTEN	HARSTAD	1
8226	STRAUMEN	FAUSKE	1	8387	FREDVANG	HARSTAD	1
8230	SULITJELMA	FAUSKE	2	8390	REINE	HARSTAD	2
8250	ROGNAN	FAUSKE	1	8392	SØRVÅGEN	HARSTAD	2
8255	RØKLAND	FAUSKE	2	8400	SORTLAND	HARSTAD	1
8260	INNHAVET	FAUSKE	2	8402	SORTLAND	HARSTAD	0
8264	ENGAN	FAUSKE	2	8403	SORTLAND	HARSTAD	0
8266	MØRSVIKBOTN	FAUSKE	2	8404	SORTLAND	HARSTAD	0
8270	DRAG	FAUSKE	2	8406	SORTLAND	HARSTAD	0
8273	NEVERVIK	FAUSKE	2	8407	SORTLAND	HARSTAD	0
8274	MUSKEN	FAUSKE	2	8408	SORTLAND	HARSTAD	0
8275	STORJORD I TYSFJORD	FAUSKE	2	8409	GULLESFJORD	HARSTAD	1
8276	ULVSVÅG	FAUSKE	2	8410	LØDINGEN	HARSTAD	2
8278	STORÅ	FAUSKE	2	8412	VESTBYGD	HARSTAD	2
8283	LEINESFJORD	FAUSKE	2	8413	KVITNES	HARSTAD	1
8285	LEINES	FAUSKE	2	8414	HENNES	HARSTAD	2
8286	NORDFOLD	FAUSKE	2	8415	SORTLAND	HARSTAD	0
8288	BOGØY	FAUSKE	2	8416	SORTLAND	HARSTAD	0
8289	ENGELØYA	FAUSKE	2	8426	BARKESTAD	HARSTAD	2
8290	SKUTVIK	FAUSKE	2	8428	TUNSTAD	HARSTAD	2

### ■ ■ Location register with zones Business Parcel Express Overnight

Postal code	Location	Terminal name	Zones out	Postal code	Location	Terminal name	Zones out
8430	MYRE	HARSTAD	1	8657	MOSJØEN	MOSJØEN	1
8432	ALSVÅG	HARSTAD	1	8658	MOSJØEN	MOSJØEN	1
8438	STØ	HARSTAD	2	8659	MOSJØEN	MOSJØEN	1
8445	MELBU	HARSTAD	1	8660	MOSJØEN	MOSJØEN	1
8447	LONKAN	HARSTAD	2	8661	MOSJØEN	MOSJØEN	1
8450	STOKMARKNES	HARSTAD	1	8663	MOSJØEN	MOSJØEN	1
8470	BØ I VESTERÅLEN	HARSTAD	1	8664	MOSJØEN	MOSJØEN	1
8475	STRAUMSJØEN	HARSTAD	2	8665	MOSJØEN	MOSJØEN	1
8480	ANDENES	HARSTAD	2	8666	MOSJØEN	MOSJØEN	2
8481	BLEIK	HARSTAD	2	8672	ELSFJORD	MOSJØEN	2
8484	RISØYHAMN	HARSTAD	2	8680	TROFORS	MOSJØEN	2
8485	DVERBERG	HARSTAD	2	8690	HATTFJELLDAL	MOSJØEN	2
8488	NØSS	HARSTAD	1	8700	NESNA	MOSJØEN	2
8489	NORDMELA	HARSTAD	1	8720	VIKHOLMEN	MOSJØEN	2
8514	NARVIK	HARSTAD	1	8723	HUSBY	MOSJØEN	2
8515	NARVIK	HARSTAD	1	8724	SAURA	MOSJØEN	2
8516	NARVIK	HARSTAD	1	8725	UTSKARPEN	MOSJØEN	2
8517	NARVIK	HARSTAD	1	8730	BRATLAND	MOSJØEN	2
8520	ANKENES	HARSTAD	1	8732	ALDRA	MOSJØEN	2
8522	BEISFJORD	HARSTAD	1	8733	STUVLAND	MOSJØEN	2
8523	ELVEGÅRD	HARSTAD	1	8735	STOKKVÅGEN	MOSJØEN	2
8530	BJERKVIK	HARSTAD	0	8740	NORD-SOLVÆR	MOSJØEN	2
8533	BOGEN I OFOTEN	HARSTAD	1	8742	SELVÆR	MOSJØEN	2
8534	LILAND	HARSTAD	1	8743	INDRE KVARØY	MOSJØEN	2
8535	TÅRSTAD	HARSTAD	1	8750	TONNES	MOSJØEN	2
8536	EVENES	HARSTAD	1	8752	KONSVIKOSEN	MOSJØEN	2
8540	BALLANGEN	HARSTAD	2	8754	ØRESVIK	MOSJØEN	2
8543	KJELDEBOTN	HARSTAD	2	8762	SLENESET	MOSJØEN	2
8590	KJØPSVIK	HARSTAD	2	8764	LOVUND	MOSJØEN	2
8610	MO I RANA	MOSJØEN	0	8766	LURØY	MOSJØEN	2
8613	MO I RANA	MOSJØEN	2	8770	TRÆNA	MOSJØEN	2
8614	MO I RANA	MOSJØEN	2	8800	SANDNESSJØEN	MOSJØEN	1
8615	SKONSENG	MOSJØEN	0	8802	SANDNESSJØEN	MOSJØEN	1
8616	MO I RANA	MOSJØEN	2	8803	SANDNESSJØEN	MOSJØEN	1
8617	DALSGRENDA	MOSJØEN	1	8804	SANDNESSJØEN	MOSJØEN	0
8618	MO I RANA	MOSJØEN	0	8813	LØKTA	MOSJØEN	2
8622	MO I RANA	MOSJØEN	2	8820	DØNNA	MOSJØEN	2
8624	MO I RANA	MOSJØEN	2	8830	VANDVE	MOSJØEN	2
8626	MO I RANA	MOSJØEN	2	8842	BRASØY	MOSJØEN	2
8630	STORFORSHEI	MOSJØEN	1	8844	SANDVÆR	MOSJØEN	2
8640	HEMNESBERGET	MOSJØEN	1	8850	HERØY	MOSJØEN	2
8642	FINNEIDFJORD	MOSJØEN	1	8854	AUSTBØ	MOSJØEN	2
8643	BJERKA	MOSJØEN	1	8860	TJØTTA	MOSJØEN	2
8646	KORGEN	MOSJØEN	1	8865	TRO	MOSJØEN	2
8647	BLEIKVASSLIA	MOSJØEN	2	8870	VISTHUS	MOSJØEN	2
8656	MOSJØEN	MOSJØEN	1	8880	BÆRØYVÅGEN	MOSJØEN	2

### ■ ■ Location register with zones Business Parcel Express Overnight

Postal code	Location	Terminal name	Zones out	Postal code	Location	Terminal name	Zones out
8890	LEIRFJORD	MOSJØEN	2	9064	SVENSBY	TROMSØ	2
8892	SUNDØY	MOSJØEN	2	9068	NORD-LENANGEN	TROMSØ	2
8897	BARDAL	MOSJØEN	2	9100	KVALØYSLETTA	TROMSØ	1
8900	BRØNNØYSUND	MOSJØEN	0	9101	KVALØYSLETTA	TROMSØ	1
8904	BRØNNØYSUND	MOSJØEN	0	9102	KVALØYSLETTA	TROMSØ	1
8906	BRØNNØYSUND	MOSJØEN	0	9103	KVALØYA	TROMSØ	2
8907	BRØNNØYSUND	MOSJØEN	0	9104	KVALØYA	TROMSØ	1
8908	BRØNNØYSUND	MOSJØEN	0	9105	KVALØYA	TROMSØ	0
8909	BRØNNØYSUND	MOSJØEN	0	9106	STRAUMSBUKTA	TROMSØ	1
8920	SØMNA	MOSJØEN	1	9107	KVALØYA	TROMSØ	2
8960	VELFJORD	MOSJØEN	2	9108	KVALØYA	TROMSØ	1
8976	VEVELSTAD	MOSJØEN	2	9110	SOMMARØY	TROMSØ	1
8980	VEGA	MOSJØEN	2	9118	BRENSHOLMEN	TROMSØ	1
8985	YLVINGEN	MOSJØEN	2	9120	VENGSØY	TROMSØ	2
9006	TROMSØ	TROMSØ	1	9128	TUSSØY	TROMSØ	2
9007	TROMSØ	TROMSØ	1	9130	HANSNES	TROMSØ	2
9008	TROMSØ	TROMSØ	1	9131	KÅRVIK	TROMSØ	2
9009	TROMSØ	TROMSØ	1	9132	STAKKVIK	TROMSØ	2
9010	TROMSØ	TROMSØ	1	9135	VANNVÅG	TROMSØ	2
9011	TROMSØ	TROMSØ	1	9136	VANNAREID	TROMSØ	2
9012	TROMSØ	TROMSØ	1	9138	KARLSØY	TROMSØ	2
9013	TROMSØ	TROMSØ	1	9140	REBBENES	TROMSØ	2
9014	TROMSØ	TROMSØ	1	9141	MJØLVIK	TROMSØ	2
9015	TROMSØ	TROMSØ	1	9143	SKIBOTN	TROMSØ	2
9016	TROMSØ	TROMSØ	1	9144	SAMUELSBERG	TROMSØ	2
9017	TROMSØ	TROMSØ	1	9146	OLDERDALEN	TROMSØ	2
9018	TROMSØ	TROMSØ	1	9147	BIRTAVARRE	TROMSØ	2
9019	TROMSØ	TROMSØ	1	9151	STORSLETT	TROMSØ	2
9020	TROMSDALEN	TROMSØ	1	9152	SØRKJOSEN	TROMSØ	2
9021	TROMSDALEN	TROMSØ	1	9153	ROTSUND	TROMSØ	2
9022	KROKELVDALEN	TROMSØ	0	9159	HAVNNES	TROMSØ	2
9023	KROKELVDALEN	TROMSØ	0	9161	BURFJORD	TROMSØ	2
9024	TOMASJORD	TROMSØ	1	9162	SØRSTRAUMEN	TROMSØ	2
9027	RAMFJORDBOTN	TROMSØ	1	9163	JØKELFJORD	TROMSØ	2
9030	SJURSNES	TROMSØ	2	9170	LONGYEARBYEN	TROMSØ	2
9034	OLDERVIK	TROMSØ	1	9173	NY-ÅLESUND	TROMSØ	2
9040	NORDKJOSBOTN	TROMSØ	1	9174	HOPEN	TROMSØ	2
9042	LAKSVATN	TROMSØ	1	9175	SVEAGRUVA	TROMSØ	2
9043	JØVIK	TROMSØ	2	9176	BJØRNØYA	TROMSØ	2
9046	OTEREN	TROMSØ	2	9178	BARENTSBURG	TROMSØ	2
9050	STORSTEINNES	TROMSØ	2	9180	SKJERVØY	TROMSØ	2
9055	MEISTERVIK	TROMSØ	2	9181	HAMNEIDET	TROMSØ	2
9056	MORTENHALS	TROMSØ	2	9182	SEGLVIK	TROMSØ	2
9057	VIKRAN	TROMSØ	1	9184	REINFJORD	TROMSØ	2
9060	LYNGSEIDET	TROMSØ	2	9185	SPILDRA	TROMSØ	2
9062	FURUFLATEN	TROMSØ	2	9186	ANDSNES	TROMSØ	2

### ■ ■ Location register with zones Business Parcel Express Overnight

Postal code	Location	Terminal name	Zones out	Postal code	Location	Terminal name	Zones out
9187	VALANHAMN	TROMSØ	2	9415	HARSTAD	HARSTAD	1
9190	AKKARVIK	TROMSØ	2	9419	SØRVIK	HARSTAD	1
9192	ARNØYHAMN	TROMSØ	2	9420	LUNDENES	HARSTAD	2
9193	NIKKEBY	TROMSØ	2	9423	GRØTAVÆR	HARSTAD	2
9194	LAUKSLETTA	TROMSØ	2	9424	KJØTTA	HARSTAD	2
9195	ÅRVIKSAND	TROMSØ	2	9425	SANDSØY	HARSTAD	2
9197	ULØYBUKT	TROMSØ	2	9426	BJARKØY	HARSTAD	2
9300	FINNSNES	FINNSNES	2	9427	MELØYVÆR	HARSTAD	2
9302	ROSSFJORDSTRAUMEN	FINNSNES	2	9430	SANDTORG	HARSTAD	1
9303	SILSAND	FINNSNES	2	9436	KONGSVIK	HARSTAD	1
9304	VANGSVIK	FINNSNES	2	9440	EVENSJER	HARSTAD	1
9307	FINNSNES	FINNSNES	2	9441	FJELLDAL	HARSTAD	1
9308	FINNSNES	FINNSNES	2	9442	RAMSUND	HARSTAD	1
9309	FINNSNES	FINNSNES	2	9443	MYKLEBOSTAD	HARSTAD	2
9310	SØRREISA	FINNSNES	2	9444	HOL I TJELDSUND	HARSTAD	2
9311	BRØSTADBOTN	FINNSNES	2	9445	TOVIK	HARSTAD	1
9321	MOEN	FINNSNES	2	9446	GROVFJORD	HARSTAD	2
9322	KARLSTAD	FINNSNES	2	9450	HAMNVIK	HARSTAD	2
9325	BARDUFOSS	FINNSNES	2	9453	KRÅKRØHAMN	HARSTAD	2
9334	ØVERBYGD	FINNSNES	2	9454	ÅNSTAD	HARSTAD	2
9336	RUNDHAUG	FINNSNES	2	9455	ENGENES	HARSTAD	2
9350	SJØVEGAN	FINNSNES	2	9470	GRATANGEN	HARSTAD	2
9357	TENNEVOLL	FINNSNES	1	9475	BORKENES	HARSTAD	1
9360	BARDU	FINNSNES	2	9510	ALTA	ALTA	0
9372	GIBOSTAD	FINNSNES	2	9511	ALTA	ALTA	0
9373	BOTNHAMN	FINNSNES	2	9512	ALTA	ALTA	0
9376	SKATVIK	FINNSNES	2	9513	ALTA	ALTA	0
9380	GRYLLEFJORD	FINNSNES	2	9514	ALTA	ALTA	0
9381	TORSKEN	FINNSNES	2	9515	ALTA	ALTA	0
9385	SKALAND	FINNSNES	2	9516	ALTA	ALTA	0
9386	SENJAHOPEN	FINNSNES	2	9517	ALTA	ALTA	0
9388	FJORDGARD	FINNSNES	2	9518	ALTA	ALTA	1
9389	HUSØY I SENJA	FINNSNES	2	9519	KVIBY	ALTA	1
9392	STONGLANDSEIDET	FINNSNES	2	9520	KAUTOKEINO	ALTA	2
9393	FLAKSTADVÅG	FINNSNES	2	9525	MAZE	ALTA	2
9395	KALDFARNES	FINNSNES	2	9531	KVALFJORD	ALTA	2
9402	HARSTAD	HARSTAD	1	9532	HAKKSTABBEN	ALTA	2
9403	HARSTAD	HARSTAD	1	9533	KONGSHUS	ALTA	2
9404	HARSTAD	HARSTAD	1	9536	KORSFJORDEN	ALTA	2
9405	HARSTAD	HARSTAD	1	9540	TALVIK	ALTA	2
9406	HARSTAD	HARSTAD	1	9545	LANGFJORDBOTN	ALTA	2
9407	HARSTAD	HARSTAD	1	9550	ØKSFJORD	ALTA	2
9408	HARSTAD	HARSTAD	1	9580	BERGSFJORD	ALTA	2
9409	HARSTAD	HARSTAD	1	9582	NUVSVÅG	ALTA	2
9411	HARSTAD	HARSTAD	1	9583	LANGFJORDHAMN	ALTA	2
9414	HARSTAD	HARSTAD	1	9584	SØR-TVERRFJORD	ALTA	2

### ■ ■ Location register with zones Business Parcel Express Overnight

Postal code	Location	Terminal name	Zones out	Postal code	Location	Terminal name	Zones out
9585	SANDLAND	ALTA	2	9782	DYFJORD	LAKSELV	2
9586	LOPPA	ALTA	2	9790	KJØLLEFJORD	LAKSELV	2
9587	SKAVNAKK	ALTA	2	9800	VADSØ	KIRKENES	2
9590	HASVIK	ALTA	2	9802	VESTRE JAKOBSELV	KIRKENES	2
9593	BREIVIKBOTN	ALTA	2	9826	SIRMA	KIRKENES	2
9595	SØRVÆR	ALTA	2	9840	VARANGERBOTN	KIRKENES	2
9600	HAMMERFEST	ALTA	0	9845	TANA	KIRKENES	2
9601	HAMMERFEST	ALTA	2	9900	KIRKENES	KIRKENES	2
9602	HAMMERFEST	ALTA	2	9910	BJØRNEVATN	KIRKENES	2
9603	HAMMERFEST	ALTA	2	9912	HESSING	KIRKENES	2
9609	NORDRE SEILAND	ALTA	2	9925	SVANVIK	KIRKENES	2
9610	RYPEFJORD	ALTA	2	9930	NEIDEN	KIRKENES	1
9612	FORSØL	ALTA	2	9935	BUGØYNES	KIRKENES	2
9620	KVALSUND	ALTA	2	9950	VARDØ	KIRKENES	2
9624	REVSNEHAMN	ALTA	2	9960	KIBERG	KIRKENES	2
9650	AKKARFJORD	ALTA	2	9980	BÆRLEVÅG	KIRKENES	2
9651	LANGSTRAND	ALTA	2	9982	KONGSFJORD	KIRKENES	2
9657	KÅRHAMN	ALTA	2	9990	BÅTSFJORD	KIRKENES	2
9664	SANDØYBOTN	ALTA	2				
9670	TUFJORD	LAKSELV	2				
9672	INGØY	LAKSELV	2				
9690	HAVØYSUND	LAKSELV	2				
9692	MÅSØY	LAKSELV	2				
9700	LAKSELV	LAKSELV	2				
9709	PORSANGMOEN	LAKSELV	2				
9710	INDRE BILLEFJORD	LAKSELV	2				
9713	RUSSENES	LAKSELV	2				
9714	SNEFJORD	LAKSELV	2				
9715	KOKELV	LAKSELV	2				
9716	BØRSELV	LAKSELV	2				
9717	VEIDNESKLUBBEN	LAKSELV	2				
9722	SKOGANVARRE	LAKSELV	2				
9730	KARASJOK	LAKSELV	2				
9740	LEBESBY	LAKSELV	2				
9742	KUNES	LAKSELV	2				
9750	HONNINGSVÅG	LAKSELV	2				
9760	NORDVÅGEN	LAKSELV	2				
9763	SKARSVÅG	LAKSELV	2				
9764	NORDKAPP	LAKSELV	2				
9765	GJESVÆR	LAKSELV	2				
9768	REPVÅG	LAKSELV	2				
9770	MEHAMN	LAKSELV	2				
9771	SKJÅNES	LAKSELV	2				
9772	LANGFJORDNES	LAKSELV	2				
9773	NERVEI	LAKSELV	2				
9775	GAMVIK	LAKSELV	2				

### ■ ■ Climate-neutral Service Package/Return Service

Chargeable weight up to (KG)	Zone 1	Zone 2	Zone 3	Zone 4	Zone 5
1	101	106	115	132	143
2	103	109	120	139	148
3	105	112	125	145	154
4	112	118	134	152	168
5	117	129	145	158	173
6	128	143	156	170	185
7	133	147	166	174	200
8	135	150	169	183	207
9	141	154	173	191	214
10	150	166	189	207	226
11	161	177	204	221	241
12	171	186	212	230	248
13	177	200	220	236	257
14	186	207	228	246	264
15	201	218	236	253	275
16	212	236	250	268	291
17	220	245	257	275	299
18	228	251	268	285	305
19	233	257	275	295	318
20	241	261	285	302	325
21	245	273	299	317	332
22	248	281	304	323	341
23	252	288	311	329	354
24	257	295	319	338	359
25	260	301	325	349	371
26	271	309	330	358	383
27	275	317	340	370	394
28	281	322	352	380	402
29	286	327	358	389	417
30	291	332	369	398	430
31	296	340	375	407	442
32	300	349	384	418	450
33	304	356	393	430	463
34	310	360	399	440	476
35	317	370	407	448	485
<b>Additional per kilo</b>	<b>4</b>	<b>5</b>	<b>6</b>	<b>7</b>	<b>8</b>

Maximum actual weight: 35 kg. Maximum length: 240 cm. Maximum length plus circumference: 360 cm.

#### Surcharges, Climate-neutral Service Package

The price is NOK 16 higher for Climate-neutral Service Packages posted at a post office/business centre/Post-in-Shop and for Return Service provided at a post office/business centre/Post-in-Shop.

The price is NOK 19 higher for Climate-neutral Service Packages to consignees in more remote areas.

Notification by letter NOK 16.

Optional pickup point NOK 0.

See also bring.no.

### ■ ■ Home Delivery

Chargeable weight up to (kg)	Zone 1	Zone 2	Zone 3	Zone 4	Zone 5
1	143	155	171	195	215
2	147	160	179	203	224
3	151	166	187	211	234
4	156	172	195	219	243
5	163	181	202	228	252
6	170	190	209	238	261
7	179	199	216	246	270
8	187	207	224	254	279
9	195	215	233	262	289
10	203	223	241	271	298
11	211	233	249	281	308
12	218	241	257	290	317
13	226	249	265	298	326
14	235	257	273	307	337
15	242	265	281	315	346
16	248	273	288	323	355
17	254	281	296	332	364
18	260	288	304	341	373
19	266	295	311	349	383
20	272	302	318	357	392
21	277	309	325	365	401
22	283	316	333	373	411
23	288	322	341	380	420
24	293	328	349	389	429
25	298	336	356	397	439
26	304	343	363	405	449
27	309	349	371	413	458
28	314	355	378	422	468
29	319	362	387	431	478
30	323	369	395	441	489
31	328	376	403	450	499
32	334	384	411	458	509
33	339	391	418	467	519
34	344	398	426	476	528
35	349	404	435	486	538
<b>Additional per kilo</b>	<b>4</b>	<b>5</b>	<b>6</b>	<b>7</b>	<b>8</b>

Maximum actual weight: 35 kg. Maximum length: 240 cm. Maximum length plus circumference: 360 cm.

#### Surcharges, Home Delivery

The price is NOK 19 higher for Home Delivery parcels to consignees in more remote areas.

Second delivery attempt NOK 53 per package.

See also bring.no.

### ■ ■ Pickup Parcel (international)

	Zone 1	Zone 2	Zone 3
Basic price	342.00	342.00	342.00
Surcharge per kg	31.00	49.70	113.90

Prices exclude fuel and sulphur surcharges.

Zone 1 Denmark (DK), Finland (FI), Sweden (SE), Germany (DE), Åland (AX)

Zone 2 Rest of Europe, excluding the Faroe Islands and Greenland

Zone 3 Rest of World

The price includes export declaration, including 3 item lines and shipping. Import declaration will be paid for by the consignee. Collection is also included if you have a Business Parcel (national) agreement.

International freight is not subject to VAT.

Maximum weight (actual weight) per parcel: 20 kg.

Maximum dimensions per parcel: Length 150 cm and length + circumference 300 cm.

Parcels exceeding the maximum weight or parcels where the chargeable weight is in excess of 70 kg will be regarded and billed as pallets. See the separate section on volume and various surcharges.

### ■ ■ Business Parcel/Return Service

Chargeable weight up to (kg)	Zone 1	Zone 2	Zone 3	Zone 4	Zone 5
1	148	161	178	203	224
2	153	167	186	211	233
3	157	173	194	220	243
4	162	179	203	228	253
5	170	188	210	237	262
6	177	197	218	247	271
7	186	207	225	256	281
8	194	215	233	264	291
9	203	224	242	272	300
10	211	232	251	282	309
11	220	242	259	292	321
12	227	251	267	301	330
13	235	259	276	309	339
14	244	267	285	320	351
15	252	276	292	328	360
16	258	285	299	336	369
17	264	292	307	344	378
18	270	299	317	355	389
19	277	306	324	363	398
20	284	314	331	371	407
21	289	322	338	379	417
22	294	329	345	389	428
23	299	335	355	396	437
24	304	341	363	404	446
25	309	350	370	412	456
26	317	357	377	422	467
27	322	363	387	430	476
28	327	369	394	439	487
29	332	376	402	448	498
30	336	384	410	459	508
31	341	392	419	468	519
32	346	399	428	476	529
33	353	406	435	486	540
34	358	413	443	496	550
35	363	420	452	505	559
<b>Additional per kilo</b>	<b>4</b>	<b>5</b>	<b>6</b>	<b>7</b>	<b>8</b>

This price excludes toll charges and fuel surcharges.

Maximum actual weight: 35 kg. Maximum length: 240 cm. Maximum length plus circumference: 360 cm.

#### Surcharges, Business Parcel/Return Service

Second delivery attempt NOK 39 per package. Delivered at post office/Post-in-Shop NOK 41 per package.

The price is NOK 19 higher for Business Parcels to consignees outside core areas.

The price is NOK 16 higher for Business Parcels handed into a post office/Post-in-Shop.

See also bring.no.

### ■ ■ Business Parcel Express Overnight / Return Service

Chargeable weight up to (KG)	Zone 1	Zone 2	Zone 3	Zone 4	Zone 5	Zone 6	Zone 7
1	323	342	368	392	509	706	859
2	336	359	384	416	545	752	934
3	349	377	400	438	580	800	1009
4	364	394	418	460	614	849	1084
5	378	412	435	485	648	897	1160
6	391	430	452	507	682	946	1235
7	405	446	471	531	718	995	1310
8	421	464	488	553	752	1044	1385
9	434	482	505	577	787	1093	1461
10	447	498	524	600	823	1142	1538
11	461	516	541	623	863	1193	1622
12	479	535	560	647	903	1245	1708
13	495	553	579	670	943	1298	1795
14	512	572	597	693	984	1350	1882
15	529	591	616	716	1025	1402	1968
16	545	610	634	738	1065	1454	2056
17	561	628	652	763	1106	1505	2142
18	577	647	671	785	1147	1557	2230
19	593	666	690	809	1186	1609	2316
20	610	685	709	831	1226	1661	2402
21	625	703	726	855	1267	1713	2489
22	641	721	745	878	1308	1765	2576
23	658	738	764	901	1349	1817	2663
24	674	758	782	924	1389	1869	2749
25	691	775	801	946	1429	1922	2836
26	708	793	820	970	1469	1974	2922
27	723	813	837	992	1510	2026	3010
28	738	831	856	1016	1550	2078	3097
29	756	849	874	1039	1591	2130	3183
30	771	868	892	1062	1632	2182	3270
31	786	886	912	1085	1672	2234	3356
32	804	906	930	1109	1712	2286	3443
33	820	924	949	1132	1752	2338	3529
34	835	942	968	1156	1793	2390	3616
35	852	961	986	1179	1833	2441	3703
<b>Additional per kilo</b>	<b>13</b>	<b>15</b>	<b>17</b>	<b>22</b>	<b>35</b>	<b>47</b>	

This price excludes toll charges and fuel surcharges.  
Maximum actual weight: 35 kg. Maximum measurement: 120 x 60 x 60 cm

#### Surcharges, Business Parcel Express Overnight

Saturday delivery NOK 204 per package to consignees in central areas and NOK 544 to consignees in remote areas.  
Late pickup NOK 302 per package.  
Optional pickup point NOK 35.

### ■ ■ Business Parcel (internasjonal)

	Zone 1	Zone 2	Zone 3	Zone 4	Zone 5	Zone 6	Zone 7
Basic price	495.00	515.00	522.00	574.00	573.00	639.00	384.00
Surcharge per kg (up to 25 kg)	39.80	50.80	57.50	85.10	98.40	179.10	119.40
Surcharge per kg (over 25 kg)	33.20	43.10	45.30	65.20	78.50	145.90	86.20

Prices exclude fuel and sulphur surcharges.

\* Zones 1-6: Basic price inc. export and import declaration charges inc. 3 item lines

Zone 1 Denmark (DK), Finland (FI), Sweden (SE), Germany (DE), Åland (AX)

Zone 2 Belgium (BE), Ireland (IE), Iceland (IS), Luxembourg (LU), Netherlands (NL), Great Britain (GB)

Zone 3 France (FR), Italy (IT), Monaco (MC), Portugal (PT), Spain (ES), Switzerland (CH), Austria (AT)

Zone 4 Bulgaria (BG), Estonia (EE), Greece (GR), Croatia (HR), Cyprus (CY), Latvia (LV), Lithuania (LT), Malta (MT), Poland (PL), Romania (RO), Montenegro (ME), Serbia (RS), Slovakia (SK), Slovenia (SI), Czech Republic (CZ), Turkey (TR), Hungary (HU)

Zone 5 Canada (CA), Faroe Islands (FO), Greenland (GL), USA (US)

Zone 6 Argentina (AR), Australia (AU), Brazil (BR), Chile (CL), Philippines (PH), Hong Kong (HK), Belarus (Belarus) (BY), India (IN), Indonesia (ID), Japan (JP) China (CH), Malaysia (MY), New Zealand (NZ), Russia (RU), Saudi Arabia (SA), Singapore (SG), South Africa (ZA), South Korea (SK), Taiwan (TW), Thailand (TH), Ukraine (UA)

Zone 7 Rest of World

International freight is not subject to VAT. Pickup is included with a Business Parcel (national) agreement.  
Maximum weight (actual weight) per parcel: 35 kg in zone 1 - except for Germany. Most other countries: 30 kg.  
Parcels exceeding the maximum weight or parcels where the chargeable weight is in excess of 70 kg will be regarded and billed as pallets.

## ■ ■ Additional services

Surcharge	Business Parcel National	Express Overnight	Business Parcel	Service package	Home Delivery	Pick up Parcel
Pickup, single assignment	From NOK 302	From NOK 302	From NOK 302	From NOK 302	From NOK 302	From NOK 302
Cash on Delivery				NOK 59		NOK 93 **
Stop requirements/delete cash on delivery	NOK 165	NOK 165	NOK 165	NOK 165	NOK 165	NOK 165
Proof of identity required	NOK 11	NOK 11		NOK 11	NOK 11	
Personal delivery		NOK 16		NOK 16	NOK 16	
Svalbard surcharge*	NOK 255	NOK 255		NOK 255	NOK 255	
Labour as agreed	From NOK 902	From NOK 902	From NOK 902	From NOK 902	From NOK 902	From NOK 902

\* As Svalbard and Spitsbergen are deemed to be third countries for customs purposes, correct documentation is required by means of trade or pro forma invoices. Customs clearance charges of NOK 240 and NOK 30 per item line will be added to parcel with a net item value in excess of NOK 5000.

\*\* Faroe Islands and Greenland only.

## ■ ■ Surcharges

Surcharge	Business Parcel National	Express Overnight	Business Parcel	Service package	Home Delivery	Pick up Parcel
Incorrect/missing EDI	NOK 116,-	NOK 116,-	NOK 116,-	NOK 116,-	NOK 116,-	NOK 116,-
Delayed EDI	NOK 165,-	NOK 165,-	NOK 165,-	NOK 165,-	NOK 165,-	NOK 165,-
Storage charge consignments without EDI	NOK 105 per 24-hour period	NOK 105 per 24-hour period	NOK 105 per 24-hour period	NOK 105 per 24-hour period	NOK 105 per 24-hour period	NOK 105 per 24-hour period
New: Delayed EDI	NOK 49,-	NOK 49,-	NOK 49,-	NOK 49,-	NOK 49,-	NOK 49,-
Handling surcharge	NOK 113,-	NOK 113,-	NOK 113,-	NOK 113,-	NOK 113,-	NOK 113,-
Manual invoice	NOK 255,-	NOK 255,-	NOK 242,-	NOK 255,-	NOK 255,-	NOK 242,-
Incorrect customer number	NOK 779,-	NOK 779,-	NOK 760,-	NOK 779,-	NOK 779,-	NOK 760,-
Incorrect consignment number	NOK 779,-	NOK 779,-	NOK 760,-	NOK 779,-	NOK 779,-	NOK 760,-
Incomplete packaging	93 per item, max NOK 372	93 per item, max NOK 372	93 per item, max NOK 372	93 per item, max NOK 372	N 93 per item, max NOK 372 OK 103,-	93 per item, max NOK 372
Excess weight	NOK 165,-	NOK 165,-	NOK 165,-	NOK 165,-	NOK 165,-	NOK 165,-
Invalid transport label	NOK 49,-	NOK 49,-	NOK 49,-	NOK 49,-	NOK 49,-	NOK 49,-
Incorrect address	NOK 56,-	NOK 56,-	NOK 70,-	NOK 56,-	NOK 56,-	NOK 70,-
Labling	NOK 165,-	NOK 165,-	NOK 165,-	NOK 165,-	NOK 165,-	NOK 165,-



## Part 2 Groupage and part loads

This transport guide describes our groupage and part load services, including terms and conditions, zone tables and price lists.

### OUR SERVICES

2.1 Services	p. 65
2.2 Additional services - Surcharges	p. 66-67
2.3 Additional information, services	p. 67-68
2.4 Collection and delivery	p. 68-70

2.7 Liability and insurance	p. 71-72
2.8 Payment terms	p. 72-73
2.9 Complaints and compensation	p. 73-74
2.10 Special terms	p. 74-75

### TRANSPORT CRITERIA

2.5 Validity	p. 70
2.6 Calculation of weight and volume	p. 71

### CRITERIA

2.11 List of locations and zones	p. 79
2.12 Price lists	p. 116
2.13 Prices for additional services	p. 120





## 2.1 Services

### 2.1 SERVICES

Part loads from 1-9999 kg between businesses door-to-door via our terminals. Collected and delivered between 8am and 4pm.

Groupage from 3500 kg per consignment door-to-door, direct transport.

We can also offer the following for customers who have purchased part loads or groupage:

#### 2.1.1 Delivery before 7:

- Requires a separate agreement.
- Applicable to deliveries from/to defined postal codes.
- Timed delivery.
- Max weight per package 400 kg.
- Max weight per shipment 2500 kg.
- Max length 2.4 meters.
- Packages under 35 kg can measure up to 6 meters.

Before7 is delivered at night without the recipient signature that involves the following Complaints Rules: If there should be on a For7 shipping, damage that is not visible to driver, the recipient must notify as soon as possible and at the latest within 4 hours counted from the recipient's opening hours. The damage must be documented with picture etc. and report to the sender who again reports this to Bring without unnecessary stay.

#### 2.1.2 Special cargo:

- Consignments where one of the packages:
  - Weighs more than 1200 kg
  - Has a long side measuring 2.4 m.
- Has two sides, each measuring 2 m or more.
- No transit time.
- Requires a separate agreement.
- Surcharges, see section 2.13 Surcharges.

#### 2.1.3 Dangerous goods (ADR)

- Consignments defined as ADR cargoes. See section 2.10.
- Separate provisions and liabilities for the consignor (client) and shipping agent must be followed. See the conditions in 2.10 for further details.
- Separate documents and separate labelling.
- Surcharges, see section 2.13.

#### 2.1.4 Hot goods:

- Guarantees that our load carriers maintain a temperature above zero degrees in winter.
- Slightly limited operating arrangement - particularly on Fridays.
- Requires separate booking and labelling of all packages.
- Surcharges, see section 2.13.

#### 2.1.5 E-services

Using Bring's transport services provides access to a number of e-services. Besides direct integration with our IT system, we offer our customers Mybring, an online self-service solution that gives you full control over your deliveries with Bring, no matter where you are. You can easily produce custom reports and order parcel, cargo and courier shipments with a single login. Now also with GPS coordinates for individual services. Mybring is available 24 hours a day and free to Bring customers.

Our IT solutions are compliant with all standards and requirements specified in joint systems for identification of goods dated 1 July 2000, published by the Norstella Foundation and EAN Norway. This solution communicates with the majority of EDI system suppliers. Consignments that fail to meet the requirements may be rejected, delayed or subject to additional charges. Error messages or incorrect EDI messages will be corrected by Bring. Billing for errors will be charged to the party paying for shipping in accordance with applicable prices.





## 2.2 ADDITIONAL SERVICES, GROUPAGE AND PART LOADS

Bring offers additional services that add value for its customers. Some of these services are listed below. Other additional services are indicated in price lists and at bring.no.

### 2.2.1 Simplified Delivery

A service where Bring leaves the item with the consignee without the consignee being present to receive the consignment. This service must be ordered via EDI message. As agreed with the consignor, the driver leaves the item at street level and then signs to indicate that the item has been delivered, thereby guaranteeing that the consignment can be tracked. Bring sends a text message upon delivery. This service means that the customer accepts the risk in relation to liability and disclaims the right to compensation for damaged or missing items. Not all addresses in Norway are appropriate for leaving items, and the consignor must take this into account.

Simplified Delivery is not recommended for larger towns/blocks unless Bring has the option of delivering the item to a closed entrance or similar. It is also well worth deciding on the value of the item, and this service is not appropriate for items that are easy to carry and sell on.

### 2.2.2 Projects

We offer transport and logistics solutions appropriate for time- or volume-delimited projects. Priced according to contract.

### 2.2.3 Skills placement

We work in partnership with our customers to analyse potential areas where we can improve the efficiency of the customer's logistics by means of extended cooperation. Bring currently offers dedicated personnel with training and experience in the field of logistics who work together with our customers to analyse and identify measures to enhance the efficiency of the customer's logistics. Priced per hour.

### 2.2.4 Insurance

It is possible to take out goods insurance for your items beyond straightforward item liability insurance. Recommended for customers with item values in excess of NOK 150 per net kilo, unless you have other insurance at your company. The insurance is agreed separately for each consignment. Get in touch with your local Bring office or Customer Service if you require insurance.

### 2.2.5 Notification

Ordered via EDI. We will perform agreed delivery when delivering to private individuals or businesses operated at private addresses (notifications). This is also applicable if:

- The party paying for the shipping has no approved credit with Bring
- Unmanned street address, e.g. sole trader, construction site, farm or similar, other locations where there is no set staffing/goods receipt between 8am-4pm
- Consignments where we have to make contact with the consignee

This service means that we agree a time for delivery with the consignee, and the driver phones 30-60 minutes beforehand. Priced separately.

Consignment to the stated consignees will be unloaded and arrival will be reported by text message (or telephone, email or letter)

### 2.2.6 Storage charges

If it is not possible to make contact with the consignee, an attempt must be made to contact the consignee again on day 2 after arrival of the goods at the distribution terminal. If the consignment is not picked up or delivered within 2 working days of notification being provided, the storage charge will accrue from day 3. See section 2.13 Surcharges.

### 2.2.7 EUR pallet exchange

Bring offers a pallet exchange scheme. Approved EUR pallets will be exchanged (returned to the product consignor), provided that:

- The exchange is documented by means of a numbered pallet receipt bearing a Bring logo. No other documentation will be approved.
- The product consignor will be charged part of the costs for exchange.

Exchanges will be billed regularly on the basis of pallet receipts. Pallet debts will be settled by returning pallets, unless the parties agree on some other form of settlement. Approved pallet receipt pads can be purchased at our terminals. If the customer wishes to order directly from the printer, they have to state that pallet receipts relating to Bring are required. Pallet

debts lapse after 3 month Pallets are not exchanged for cross-border services. Pallet exchange is not offered for the special cargo service.

### Requirements for approved EUR pallets

Approved EUR pallets must be serviceable. Pallets are not serviceable when: - a board is missing or is significantly split/broken - the top/bottom board is cracked in a way that causes nails/screws to protrude - a block is missing, or is cracked in a way that causes nails/screws to protrude - the necessary marks on the blocks are missing - they smell/are heavily soiled.

### Scheme for pallets that are not to be exchanged.

EUR pallets that are secured to the cargo by means of straps, sealing or similar and that are clearly labelled with a standard red sticker, "ikke utvekslingspall" [pallet not for exchange] will not be exchanged. Such pallets then have to be dealt with between the consignor and consignee.

## 2.3 ADDITIONAL INFORMATION, SERVICES

### 2.3.1 Returned consignments

Consignments that we are unable to deliver to the consignee will be returned at the client's expense.

### 2.3.2 Delivery precision and calculation of delivery time

We have guideline delivery times for our services, unless specified otherwise as a condition for the service in question. The delivery time is the period from the time at which arrival of the consignment at our

dispatch terminal is recorded until the consignment is delivered/made available to the consignee, and is measured in whole days. This requires correct data to be submitted to Bring in accordance with the conditions of the service in question, and all packages have to be properly packaged and labelled. Delivery normally takes place Monday to Friday between the hours of 8am and 4pm.

#### Exceptions:

- Weekends and public holidays, plus holiday periods such as Christmas, Easter and summer
- Delivery of part loads to private individuals, or companies where notification of dispatch is necessary, in the event of force majeure, floods, landslides, snowfall or other reduced accessibility on roads or railways.

#### 2.3.4 Consignments to Svalbard and Spitsbergen

Goods are transported by sea. Bring uses the M/S "Norbjørn" for transporting groupage and part loads. The M/S "Norbjørn" has a high ice rating, a 70-tonne crane lift capacity, large hatches and plenty of space and deck capacity. The ship also has freezing capacity and heating and refrigeration in containers. Larger part loads can be coordinated or shipped directly from other ports in Norway. Groupage and part loads must always undergo customs clearance. Cargo to Svalbard is relabelled at Bring in Tromsø, and a trade invoice (or, where applicable, a pro forma invoice) must be submitted with the consignment. The Norwegian Maritime Code is applicable to transport by sea. This means that separate rules that are applicable to the insurance of cargo consignments to Svalbard.

We have a long tradition and plenty of experience of handling consignments to and from Svalbard, and our expertise is concentrated in Tromsø. Svalbard is deemed to be a third country for customs purposes, so prior notification and customs processing are required. Inadequate documentation could result in delays and additional costs. Surcharges are applicable to all services for consignments to Svalbard and Spitsbergen. Our department in Tromsø will be able to help you if you have any questions about transportation to Svalbard. If you require further information and prices, please get in touch with us at [tromso.support@bring.com](mailto:tromso.support@bring.com).

## 2.4 COLLECTION AND DELIVERY

### 2.4.1 Collection and delivery of part loads

Normally included in shipping.

The following are offered:

- Collection of agreed volumes at set times on set days
- Collection following advance booking

A consignment may consist of one or more packages. All packages in a consignment must be submitted to Bring at the same time.

The deadline for bookings for same day collection is normally 11.30am in areas local to our terminals. If you have a pickup address outside the local area, collection on the next working day must be expected. A pickup surcharge is calculated for collection assignments where the total weight is less than 100 kg.

The goods are collected and delivered at street or ramp level. Conditions are required to be such that collection and delivery can take place using regular distribution equipment. Vehicle accommodating up to 18 pallets, with tail lift.

Delivery and collection at special times, to and from companies with addresses at shopping centres, indoors at shops, restaurants, kiosks, etc. will take place at times and locations agreed in advance. Bring reserves the right to charge the party paying for the shipping a shipping supplement if the delivery is outside its normal route.

The service is provided at a price, time and location agreed in advance in the case of particularly complex collection requiring a crane or other special equipment. Delivered to consignees Monday to Friday before 4pm.

### 2.4.2 Empty pickup

If the consignee refuses to accept the goods or there is any obstacle to delivery, Bring will obtain instructions from the client. If no instructions are received within 7 days of the issue date, the consignment will be returned automatically at the expense and risk of the client.

Two delivery attempts will be made. An surcharge will be incurred if two delivery attempts are made.

### 2.4.3 Collection and delivery of part loads

The minimum weight for part loads is 3500 kilo of chargeable weight or 10.5 m<sup>3</sup>.

Part loads must be booked electronically via Mybring to a local shipping agent in your area or our customer service team on 04045. All bookings must be confirmed by the shipping agent before the assignment is accepted by Bring.

It must be possible to ship part loads directly from consignor to consignee without reloading.

All consignments to be shipped and the part load price must be booked separately as agreed. Shipping agent must approve shipping of the consignment as groupage. \*





Part loads must be booked by 2.30pm on the day before which the consignment is to be loaded, unless agreed otherwise. Part loads are normally delivered between 8am and 4pm on weekdays. An additional 1-3 days of shipping must be expected compared with the currently applicable shipping schedule for part loads, unless agreed otherwise.

\* If it turns out that the receiving conditions are such that delivery with a direct vehicle is not possible and the consignment has to be delivered via a terminal, a delivery surcharge will be applied in each individual case.

## 2.5 CRITERIA FOR TRANSPORTING GROUPAGE AND PART LOADS

It is important for the criteria for use of the individual services are met in order to ensure correct processing. Our terms and conditions are to be regarded as part of the agreement for the transport in question.

### Validity

Posten Norge AS distributes items under the brand name Bring. Transport takes place in accordance with the tariffs, chargeable terms and carriage conditions applicable to Bring.

Bring's carriage conditions are regulated by the Nordic Association of Freight Forwarders' general terms and conditions (NSAB/2000), the Norwegian Road Transport Act (the Norwegian Act on Road Shipping Contracts), the Norwegian Maritime Code and our Transport guide for parcels, groupage and part loads (national). We reserve the right to amend the framework conditions. Conditions may be amended by Bring with 1 month's notice. We reserve the right to correct printing errors. Bring accepts no liability for the customer's further use of data supplied by Bring, either directly or via third parties.

### 2.5.1 Conditions

The contract/transport contract for the consignment in question is approved information about each consignment and package that we require to have

been scanned in accordance with agreed standards or transferred electronically. The consignments will be loaded with other consignments. Packaging and labelling are therefore required.

### 2.5.2 Additional costs

Bring reserves the right to charge the customer any extraordinary costs that Bring is unable to influence from the time at which the cost is incurred. Examples of such costs may include (but are not limited to) diversions as a result of road works, ferry stoppages, train stoppages, force majeure or similar requiring changes to our normal production.

Force majeure incidents that render alternative shipping impossible are excepted, and so additional costs will come into play when incidents require alternative shipping solutions that are feasible without the use of extraordinary measures, and beyond the day of the accident.

### 2.5.3 Surcharges

If Norway Post and Bring terms and conditions are not met, the customer will be charged for the additional labour/additional costs incurred by Norway Post and Bring as a result of this. For more information, see price lists and bring.no

### 2.5.4 Cargo that we do not ship

Unless otherwise agreed, the cargo may not include valuables, weapons, ammunition, live animals, larvae, insects or similar creatures, remains, household contents, unpackaged goods, ATA Carnet consignments, alcoholic beverages or cigarettes/ tobacco products.

### 2.5.5 Toll charges

A variable surcharge will be added to groupage and part load consignments in order to cover toll costs. Information on this can be found at bring.no

### 2.5.6 Fuel surcharges

We add fuel surcharges for groupage and part loads as a variable part of the price. This surcharge is updated monthly, and the currently applicable surcharge can be found at bring.no.

### 2.5.7 Labelling

Correct labelling and a correct EDI message ensure that all consignments are processed correctly. Besides clear and correct labelling – see Bring's currently applicable specifications – the labelling must be compliant with the EDI message. Only labels approved by Bring will be accepted, preferably Norwegian EDIPRO standard.

It is important to be clear on the following so as to ensure that labels are legible in all parts of the logistics chain:

- Labels must be clearly visible on all packages
- Labels must not be folded around corners
- Labels should not be covered with plastic film, unless the film is flush with the label
- Straps must not be applied over barcodes on labels
- Labels must be flat so as to ensure legibility
- Some of our services require special labelling

## 2.6 CALCULATION OF WEIGHT AND VOLUME

### 2.6.1 Shipping calculation

The shipping is calculated separately for each package. A consignment is understood to mean the packages assigned a consignment number or freight bill for shipping from a consignor to a consignee. A consignment may consist of one or more packages. All packages in a consignment must be submitted to Bring at the same time. The total weight/volume of the consignment is what form the basis for calculating the price for the consignment in question.

The consignor is responsible for the weight and dimensions being correctly stated for individual consignments. Bring reserves the right to inspect, and in the event of an error correct to the right weight and dimensions as a basis for calculating the price for the services. Changes may result in changes to shipping prices, plus a surcharge.

Shipping calculation is determined by the chargeable weight, which is the volumetric weight or actual weight, whichever is the greater. The maximum length, width and height of the consignment determines the volume. A set factor for converting volume to weight is defined for various services. Using this conversion allows you to calculate the volumetric weight:  $L(dm) \times B(dm) \times H(dm) / \text{conversion factor}$ .

The weight is rounded up to the nearest 100 kg for all consignments that weigh more than 1000 kg. Shipping is always calculated according to the calculation method that gives the highest calculation weight. See page 40.

### 2.6.2 Package surcharge for part loads

4 packages are included in the standard delivery. If a part load consignment has 5 or more packages, a surcharge of 3% of the net customer shipment up to 9 packages and 2.5% for 9 packages and above will be incurred. This surcharge will not be charged for groupage cargoes.

### 2.6.3 Special calculation rules for groupage and part loads:

#### Load metres:

For consignments that are difficult to stow and load jointly with other consignments on account of their shape or the nature of the packaging, shipping will

be calculated on the basis of the space required by the cargo (2000 kg per load metre). A load metre is 1 metre multiplied by the width and height of the vehicle.

#### Pallet space:

Shipping will be calculated for consignments that are loaded onto pallets and cannot be loaded together with other consignments according to number of pallet spaces occupied by the cargo. A pallet space is calculated according to 0.4 load metre, i.e.: 800 kg. Goods strapped onto Euro pallets that can be loaded jointly are calculated according to a minimum of 150 kg per pallet (set weights).

## 2.7 LIABILITY AND INSURANCE

### 2.7.1 The customer's liability

The customer must accept his part of the liability defined in Bring's conditions. If the customer fails to fulfil a significant part of his obligations or it is apparent from his actions or other serious failure in his credit rating that the customer will be unable to fulfil a significant part of his obligations, Bring may suspend its fulfilment and withhold its services if the customer is notified of this without undue delay.

If either party materially breaches its obligations pursuant to the agreement and fails to remedy the obligation following prior written notification from the other party, the party that is not in breach of its obligations may terminate the agreement.

### 2.7.2 Bring's compensation liability

Bring has limited compensation liability in accordance with the applicable NSAB. There is a cap on shipping agents' compensation liability:

- 17 SDR per kg of gross cargo weight (national shipments).
- 8.33 SDR per kg of gross cargo weight (international shipments).

Bring is not liable to cover the customer's indirect losses unless defined otherwise in the Bring service conditions for the service in question.

### 2.7.3 Insurance of the value of goods will not be covered by Bring's compensation liability.

Purchasing transport does not include goods value insurance, unless this is specifically agreed for the consignment in question. See section 2.2.4 with regard to the purchasing of supplementary insurance.

### 2.7.4 Goods in transit

The customs authorities require information on consignment contents (product type) to be provided when passing borders (transit). Bring operates in compliance with the customs authorities' requirements

and requires the customer/consignor to provide information on this in the EDI message. Examples of approved product types may include: office items, groceries, industrial items, or more precise product types such as clothing, paper, etc. Heading 35 in the EDI message must include the above, without exception. The client is responsible for providing the necessary information to Bring. Bring is exempt from any liability in the event of delays due to missing information.

## 2.8 PAYMENT TERMS

### 2.8.1 Payment conditions

Advance payment must be made for shipping for customers that have no billing/credit agreement. All assignments submitted may be billed. It is possible to order transportation of both parcels and goods at mybring and to pay by card.

### 2.8.2 Credit

Up to 10 days' credit and an agreed credit limit are normally given by specific agreement. Credit and the credit limit will cease to apply in the event of any form of payment default. If payment is delayed, late payment interest will be calculated.

The cost of offering credit is not included in the shipping between consignor and consignee. Priced per invoice. See Surcharges.

All new customers will undergo a credit assessment by Norway Post and Bring, and a duplicate letter indicating that this has taken place will be sent to the customer.

### 2.8.3 Invoices

All assignments involving credit will be paid according to invoices, and payment must be received by Bring before the due date. All objections to invoices must be submitted to Bring in writing within 10 days of receipt of the invoice.

### 2.8.4 Default

In the event of payment default, invoices that are not due will also be deemed to be overdue and may be collected together with overdue payments. Norway Post and Bring have the right to offset their claims against claims that the customer has against Norway Post and Bring. The customer cannot offset or withhold funds that are overdue, even if complaints are outstanding with regard to shipping, damage or missing items.

If the agreed credit limit has been exceeded, or in the event of payment default or a credit rating adjusted downwards, Norway Post and Bring may stop the customer's consignments/pledge the customer's goods. If the credit rating is adjusted downwards,



the customer may be offered a new credit agreement if security is provided. Norway Post and Bring will establish the security amount. Copy invoices with specifications can be accessed by our customers in Mybring. Copies of freight bills or other sub-vouchers are available upon request or by agreement.

### 2.8.5 Reminder fees

All assignments involving credit will be paid according to invoices, and payments must be received by Bring before the due date. All objections to invoices must be submitted to Bring in writing within 8 days of receipt of the invoice. In the event of payment default, invoices that are not due will also be deemed to be overdue and may be collected together with overdue payments.

Bring has the right to offset or withhold funds that are overdue, even if complaints are outstanding with regard to shipping, damage or missing items. The reminder fee is pursuant to the Norwegian Debt Collection Act and currently applicable rates. A standard reminder/debt collection procedure will be applied in the case of unpaid invoices in accordance with the Norwegian Act concerning interest on overdue payments. Norway Post and Bring will calculate reminder fees for reminders and debt collection notifications in accordance with standard legislation, which is one-tenth of the applicable court costs.

### 2.8.6 Consignee shipping

Shipping charges must initially be paid by the consignor. If shipping is to be paid for by the consignee, this must be agreed separately and a surcharge will be calculated for each consignment. Requires a Norway Post/Bring customer number.

### 2.8.7 Third party payments

If shipping is to be paid for by a party which is neither the consignor nor the consignee, this is termed the third party. If a third party is accepted as paying for a shipment, this must be agreed in advance and a surcharge on the shipping amount will be calculated. We reserve the right to recover shipping and outlay if the third party fails to pay the invoice. Offered for groupage and part loads only.

## 2.9 COMPLAINTS AND COMPENSATION

Bring's compensation liability is limited to the currently applicable NSAB, the Norwegian Act on Road Shipping Contracts, the Norwegian Aviation Act and the Norwegian Maritime Code.

If the item is damaged or parts or all of the consignment are missing upon receipt or delivery, this must be noted on the freight bill upon receipt or delivery and authorised by the driver/Bring and a responsible employee of the consignee. In the case of consignments without freight bills, the same information must be noted on a separate form and recorded on the driver's handheld terminal. Inspection requirements will be submitted to Bring Customer Service (Complaints Department).

If the damage cannot be seen from the outside, the consignee must notify Bring Customer Service (Complaints Department) in writing without undue delay. If a receipt is provided on the transport document, or if the customer has noted a name on the display on the handheld terminal with no remarks,

it must be assumed that the goods were in the condition indicated by the transport document upon delivery, unless the consignee is able to prove otherwise.

The damaged item and packaging will be retained until an inspection has taken place. The deadline for submission of claims of compensation is 1 year from the dispatch date. Specified claims with freight bills or copies of electronic dispatch information, plus copies of purchase invoices are sent immediately to Bring by email: bringreklamasjon@bring.com.

As a rule, complaints must be submitted by the party paying for the shipping. The fact that the consignment was transported by Bring must be documented (e.g. scanning points in the transport chain). Special conditions are specified in the service specification for services offering guaranteed times.

## 2.10 SPECIAL TERMS

### Dangerous goods

Dangerous goods (corrosive, toxic, explosive and flammable) is received for transport on special conditions and subject to IMDG / IATA and / or the ADR rules are met. Where agreed that dangerous goods should be included in the assignment shall both parties fulfill their obligations under current regulations in ADR.

Shipments in class 1 (explosives) and class 7 (radioactive substances) are not normally received. Shipments of this kind require a separate agreement, and can only be transported as groupage and partload on road. Exceptions are class 1.4S, which is accepted if the customer has an agreement for this.

Bring offers a safety advisor who can answer questions on normal shipping, special transport if/ when the consignment can be received and questions on packaging and filling in documents linked with dangerous goods. Priced per hour.

Bring accepts transportation of dangerous goods by special agreement only. .

### Dangerous goods: The consignor is responsible for:

- Ensuring that only goods that are allowed to be transported are submitted to Bring
- The goods are packaged properly, classified and labelled in accordance with the ADR regulations
- Old packaging/labels are removed
- Transport documents (EDI message) contain the information required in the currently applicable version of ADR
- The client must indemnify the carrier for losses and damage resulting from failure to comply with the obligations
- Any additional costs, plus waiting and return accrued due to failure to comply with the obligations will be charged to the client. If Bring is liable to public authorities or third parties on account of condition that can be attributed to the client, Bring may demand that its costs be covered by the client.

### Bring is obliged to reject goods if:

- It is obvious that the goods have not been packaged in accordance with ADR regulations
- The packaging is visibly damaged and this damage could affect safety during transportation
- The goods are not labelled properly
- The documents necessary for transportation of the goods is not available
- If the consignment includes dangerous goods and Bring has not been weighed aware of this, the driver may unload the goods without being liable

to pay compensation. The driver may destroy the goods or render the goods harmless at the client's expense and risk if there is reason to believe that the hazard cannot be averted by means of less intrusive measures.

- Other conditions where safety (to life and limb) is considered to be at risk.

### Pricing:

If the consignment is transported as groupage or part loads, dangerous goods will be priced with a 25% surcharge on regular shipping - A shipping surcharge of 100% will be calculated for hazard classes 1 and 7 See bring.no for more information on dangerous goods. There are specific requirements in connection with disclosure requirements, labelling and transportation of dangerous goods, and it is necessary to comply with these. Any breach of liability on the part of the consignor/customer will be charged to the party paying for the shipping.

### Limited quantities

Each UN number in the ADR regulations indicates whether or not the hazardous substance is permitted for transportation in limited quantities (ADR section 3.2, Table A, column 7a). If it is not permitted, you will see a 0 there. Dangerous goods that can be transported in limited quantities can be shipped as goods or parcels - but not by air. There are clear requirements in respect of labelling and packaging.

Composite packaging must be used - in other words, there has to be inner and outer packaging. Intermediate packaging may be used if the contents could potentially be broken or punctured under normal transport conditions (E.g. glass, porcelain, stoneware or certain types of plastic).

The maximum gross weight of a package packaged according to the limited quantity provision is 30 kg. The maximum gross weight of a limited quantity of goods packaged on a sheet with stretch film is 20 kg.

Transport documents are not required when transporting limited quantities, unless transportation will also involve the use of international ships/ferries.

#### **2.10.1 Cargo - security provisions**

Shipping of cargo is subject to public security provisions. The consignor is obliged to ensure that the contents of the consignment are packaged and labelled according to regulations and that delivery of the contents is permitted in compliance with applicable security requirements for the shipping in question.

#### **2.10.2 Groupage and part loads as special cargo**

Goods that cannot be loaded together with other goods on account of their distinctive nature,

packaging or for any other reason are to be regarded as special cargo. The shape, dimensions/ weight or contents of the consignment may mean that stowing/co-loading is not possible as part of a regular operating arrangement.

Shipments that have a length of more than 2.40 m, but real weight of the consignment are under 20 kg, there is no need to mark and ship as special goods, but can be shipped as groupage. Our services have specifications and requirements, and deviating from these may mean that the consignment requires special handling and changing to a different service (e.g. special cargo). Bring reserves the right to assess the above. The entire consignment will be defined as special cargo if the dimensions and weight of a package so indicate. Consignments will be booked and collected by specific agreement.

A consignment or package is defined as special cargo if one or more of the following criteria are met:

- Weight in excess of 1200 kg per package.
- One long side measuring 2.4 m or more.
- Two sides each measuring 2 m or more.
- When a consignment has a chargeable weight in excess of 3.5 tonnes, this is normally deemed to be groupage.

Consignments larger than length 6.0 metres, height 2.4 metres or width 2.4 metres require special adjustment. Contact Customer Service for booking and handling such consignments.

### Labelling

Specific labelling requirements are applied to special cargo as the goods are handled outdoors. The transport labels must be able to withstand outdoor handling and storage. In the case of multi-package consignments, separate special cargo labels must be applied to all packages, pasting these onto the shipping label alongside the name and address of the consignee. (Contact your nearest departmental office to obtain these.)

Information on the consignee must be specified in the EDI message. Cranes must be ordered at the same time as collection is ordered, or if agreed delivery is agreed (notification).

EUR pallet exchange is not offered for special cargo.

Pricing: If the consignment is shipped as groupage or part load (price model 20 zones), special cargo will be priced with a 25% surcharge on the net customer shipping price.



## Groupage and part loads

We will deliver your goods on time and in good condition, no matter what your freight transport needs. How to make customers happy.



### ■ ■ How to find the price of groupage and part load services

The transport industry uses the chargeable weight to calculate prices. The chargeable weight is the volumetric weight or actual weight, whichever is the greater. Volume calculation is the method used to convert the volume to weight and find the volumetric weight.

#### The volumetric weight is found as follows:

1. You have to find the volume first, and then multiply the length, width and height. Every side is rounded up/down to the nearest whole 10 cm.
2. The volume must use the correct unit of measure. Bring uses dm<sup>3</sup>.  
If the dimensions are in cm, divide the result by 1000 to get the dimensions in dm<sup>3</sup> (the volume of the consignment)
3. The volume is divided by the set conversion factor 3.5 for part loads and 3.0 for groupage.  
This gives you a weight in kilograms.

For part loads, we calculate 1 kg for every 3.5 dm<sup>3</sup> of the cargo according to the largest length, width and height (in dm). 3. This is why the volume has to be divided by the set conversion factor 3.5.

#### Procedure:

1. All postal codes are linked to a forwarding location (terminal). This list is known as the location register, and this is where you can find how many zones there are between the relevant postal code and the forwarding location (terminal).
2. The number of zones between the forwarding locations (terminals) can be found in the zone table.
3. When you send cargo with Bring, you have to look up the consignor's postal code and the consignee's postal code in the location register and find the number of zones, along with the two terminals to which the two postal codes belong.  
You then use the zone table to find out the number of zones between the two terminals. The sum of all the zones provides the basis for the shipping price.

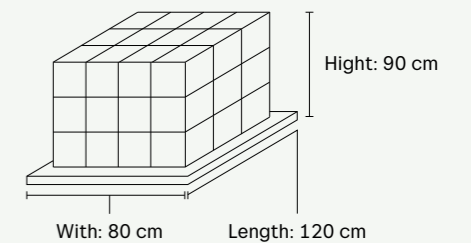
Example - From 3110 Tønsberg to 6409 Molde

- a. Postal code 3110 travels via Stokke and has zone 1 (location register)
- b. Postal code 6409 travels via Molde and has zone 0 (location register)
- c. There are 9 zones from Vestfold to Molde (zone table)
- d. So in total, there are 10 zones. Totalt blir dette 10 soner

#### Part load calculation example:

We have a consignment to be sent from Tønsberg to Molde (10 zones).  
The number of zones is found in section 2.11 Location and zone register.

1. The consignment measures (LxWxH) 120x80x90 cm and weighs 220 kg
2. Volume = 120 cm x 80 cm x 90 cm = 864000 cm<sup>3</sup>
3. You have to divide the result by 1000 to get the volume in dm<sup>3</sup>
4. 864000 / 1000 = 864 dm<sup>3</sup>



$$\text{Volume: } \frac{864}{3.5} = 246,9$$

$$\text{Set conversion factor: } 3,5$$

The chargeable weight is whichever is the higher of actual weight and volumetric weight, and is always rounded up to the nearest whole kilo. In this example the volumetric weight is higher, so the chargeable weight is 247 kg. The price can be found in the weight range 225 - 249.

247 kg to zone 10 costs NOK 2376.

#### How to find local a zones:

Cargo shipping is calculated according to the zones in the location register, delivery zone plus zone 1, minimum 3 zones.

### ■ ■ Prices stated ex. VAT

All prices are stated in NOK and do not include VAT.

■ ■ Conversion factor

Service	Conversion factor	Explanation
Part loads	1:3,5	1 m3 = 286 kg
Groupage	1:3	1 m3 = 333 kg

■ ■ Set weights applicable to groupage and part loads

Type	Weight	Specification
Bicycles, all types	60 kg each	
Car tyres	Actual weight is increased by 50%	
Snow scooters		
Motorised sleds	Actual weight is increased by 300%	
Mopeds		
Motorbikes		

■ ■ Equipment

The standard dimensions and capacity of the most common equipment used by Bring are defined below. This is the equipment most commonly used, some locations may use other equipment. Modular 25.25-metre trailers are only used to a limited extent.

Properties/type of equipment without unit	Standard distribution vehicle	Standard vehicle/trailer	Semitrailer	Container	Container with unit	Modular trailer (25,25 m)
Total length	Approximately 10 meter	19,25 meter	15,5 meter	7,8 meter	7,8 meter	25,25 meter
Tail lift	1500 kg	Not standard	Not standard	Not standard	Not standard	Not standard
External height	3.9 meter	4.0 meter	4.0 meter	4.0 meter	4.0 meter	4.0 meter
External width	2.5 meter	2.5 meter	2.5 meter	2.5 meter	2.5 meter	2.5 meter
Internal cabinet height	2.5 meter	2.5 meter	2.5 meter	2.5 meter	2.5 meter	2.5 meter
Internal cabinet width	2.44 meter	2.44 meter	2.44 meter	2.44 meter	2.44 meter	2.44 meter
Load capacity (pallet spaces)	18 pallets	36 pallets	33 pallets	19 pallets	18 pallets	52 pallets
Load capacity (weight)	8 tonnes	30 tonnes	30 tonnes	12,5 tonnes	12,5 tonnes	ca 38 tonnes
Load metres (cabinet length)	7.2 meter	14.4 meter	13.6 meter	7.6 meter	7.2 meter	20.8 meter

■ ■ Primary zone table, groupage and part loads

FROM	LOCATION	ALTA	BERGEN	BRØNNØYSUND	DRAMMEN	FAUSKE	FREDRIKSTAD	FØRDE	GOL	HAMAR	HARSTAD	HAUGESUND	KONGVINGER	KRISTIANSAND	MO I RANA	MOLDE	MÅLØY	NARVIK	OSLO	OTTA	RØROS	SANDNESSJØEN	SORTLAND	STAVANGER	STOKKE	STRYN	SVOLVÆR	TANA	TROMSØ	TRONDHEIM	ÅLESUND
ALTA	9510	17	9	17	13	17	18	17	16	9	18	17	18	13	16	18	9	16	18	16	14	9	18	17	17	12	5	5	12	17	
BERGEN	5000	17		17	5	16	6	3	7	6	17	3	9	8	16	11	5	17	4	9	16	16	17	5	6	4	18	18	18	10	9
BRØNNØYSUND	8910	13	17		15	12	16	16	15	14	6	16	15	17	10	11	16	13	13	17	9	6	6	18	15	13	5	13	6	4	11
DRAMMEN	3000	18	5	17		13	2	8	4	3	17	6	3	4	12	7	12	17	1	5	6	14	18	6	1	8	18	18	18	6	7
FAUSKE	8000	13	16	11	14		13	15	15	11	6	16	13	16	4	12	16	6	11	14	11	6	6	16	15	14	6	14	6	7	13
FREDRIKSTAD	1700	17	6	17	2	14		11	6	3	17	11	3	6	12	9	14	16	2	6	10	16	17	7	4	12	17	18	18	6	9
FØRDE	6800	18	4	16	9	16	12		6	12	17	10	12	14	14	6	4	17	8	15	13	15	17	11	12	2	18	18	18	12	3
GOL	3550	17	5	15	2	16	6	10		6	17	11	9	9	14	13	11	17	2	9	10	14	17	11	7	11	18	18	18	10	12
HAMAR	2300	17	6	16	3	13	3	10	6		16	10	2	7	11	9	11	16	1	3	4	13	16	7	4	7	17	17	17	5	7
HARSTAD	9400	9	17	7	16	6	16	17	17	16		18	16	17	10	16	18	3	16	18	15	9	3	17	16	17	3	12	5	10	16
HAUGESUND	5500	18	5	18	6	16	9	10	11	11	18		10	8	16	15	11	18	6	14	13	17	18	4	8	10	18	18	18	12	13
KONGVINGER	2200	17	9	16	3	14	3	12	9	2	16	11		9	13	10	13	16	1	5	9	15	16	10	4	12	17	17	17	9	10
KRISTIANSAND	4600	18	8	18	4	17	6	14	11	7	18	8	10		15	13	14	18	4	10	14	18	18	4	4	14	18	18	18	11	13
MO I RANA	8600	13	15	10	12	4	13	14	14	10	10	16	13	13		12	16	10	10	13	9	1	10	15	13	13	10	16	13	3	12
MOLDE	6401	16	12	11	9	13	10	8	13	8	16	15	10	13	10		9	16	7	11	9	13	16	13	11	8	17	17	17	5	2
MÅLØY	6700	18	5	16	10	16	13	2	11	12	18	10	13	14	15	9		18	10	15	12	16	18	12	13	0	18	18	18	12	4
NARVIK	8510	9	16	13	16	6	16	17	17	15	3	18	16	17	10	16	18		15	18	14	12	3	17	16	17	3	12	4	9	16
OSLO	1000	16	5	15	2	12	2	7	4	2	16	7	2	4	10	7	10	15		5	4	12	16	6	3	6	16	16	17	5	7
OTTA	2670	18	9	18	5	16	6	13	9	3	18	13	5	10	14	12	14	18	5		7	16	18	10	7	10	18	18	18	8	10
RØROS	7374	16	12	9	10	12	10	13	10	5	15	14	10	12	9	10	14	14	5	8		10	15	12	10	12	16	17	16	2	10
SANDNESSJØEN	8800	14	16	6	13	6	14	15	14	11	9	16	14	14	1	13	16	12	11	14	10		12	16	14	14	12	17	14	4	12
SORTLAND	8403	9	16	7	16	6	16	17	17	16	3	18	16	17	10	16	18	3	16	18	15	12		17	17	17	3	12	5	10	16
STAVANGER	4033	18	6	18	5	18	7	12	12	10	18	4	10	4	17	13	12	18	5	13	13	17	18		5	12	18	18	18	12	13
STOKKE	3200	18	6	17	2	16	2	12	7	3	18	9	3	4	14	9	14	17	2	6	11	16	18	5		12	18	18	18	7	9
STRYN	6880	17	4	13	9	15	11	1	12	7	17	10	12	13	13	6	0	17	6	10	12	14	17	12	12		17	18	18	7	2
SVOLVÆR	8371	12	17	15	16	6	16	17	17	15	3	18	16	17	10	16	18	3	15	18	15	12	3	17	16	17		13	7	9	16
TANA	9846	5	17	9	16	14	16	17	16	14	12	17	15	18	16	15	17	12	13	17	14	17	12	18	17	16	13		11	12	15
TROMSØ	9000	5	18	6	17	6	18	18	18	17	4	18	17	18	13	17	18	4	17	18	16	14	5	18	18	18	7	11		14	17
TRONDHEIM	7000	15	10	5	6	9	6	10	11	4	12	13	9	10	6	4	11	12	4	5	2	7	12	10	7	7	13	16	14		4
ÅLESUND	6000	17	9	11	9	14	10	4	13	7	16	11	9	13	11	2	5	16	6	10	7	12	12	13	11	3	16	17	17		4



## ■ ■ Primary zone table, groupage and part loads

Postal Code	Location	Terminal Id	Terminal name	Zone	Postal Code	Location	Terminal Id	Terminal name	Zone
7950	ABELVÆR	7000	TRONDHEIM	8	5307	ASK	5000	BERGEN	5
7318	AGDENES	7000	TRONDHEIM	7	1383	ASKER	1000	OSLO	3
9650	AKKARFJORD	9510	ALTA	8	1384	ASKER	1000	OSLO	3
9190	AKKARVIK	9000	TROMSØ	8	1385	ASKER	1000	OSLO	3
3812	AKKERHAUGEN	3200	STOKKE	7	1386	ASKER	1000	OSLO	3
4994	AKLAND	4600	KRISTIANSAND	6	1387	ASKER	1000	OSLO	3
5570	AKSDAL	5500	HAUGESUND	4	1807	ASKIM	1000	OSLO	6
8732	ALDRA	8600	MO I RANA	8	1808	ASKIM	1000	OSLO	6
2056	ALGARHEIM	1000	OSLO	6	1809	ASKIM	1000	OSLO	6
6713	ALMENNINGEN	6880	STRYN	4	1811	ASKIM	1000	OSLO	6
8432	ALSVÅG	8403	SORTLAND	4	1812	ASKIM	1000	OSLO	6
9510	ALTA	9510	ALTA	0	1813	ASKIM	1000	OSLO	6
9511	ALTA	9510	ALTA	0	1814	ASKIM	1000	OSLO	6
9512	ALTA	9510	ALTA	0	1815	ASKIM	1000	OSLO	6
9513	ALTA	9510	ALTA	0	1830	ASKIM	1000	OSLO	6
9514	ALTA	9510	ALTA	0	1831	ASKIM	1000	OSLO	6
9515	ALTA	9510	ALTA	0	1832	ASKIM	1000	OSLO	6
9516	ALTA	9510	ALTA	0	6980	ASKVOLL	6800	FØRDE	4
9517	ALTA	9510	ALTA	0	6985	ATLØY	6800	FØRDE	8
9518	ALTA	9510	ALTA	0	2476	ATNA	2300	HAMAR	7
2560	ALVDAL	2300	HAMAR	7	3656	ATRA	3000	DRAMMEN	7
5911	ALVERSUND	5000	BERGEN	6	5551	AUKLANDSHAMN	5500	HAUGESUND	4
4434	ANDABELØY	4033	STAVANGER	7	6480	AUKRA	6401	MOLDE	5
3158	ANDEBU	3200	STOKKE	1	1929	AULI	1000	OSLO	6
8480	ANDENES	8403	SORTLAND	4	2910	AURDAL	2300	HAMAR	4
9186	ANDSNES	9000	TROMSØ	8	6690	AURE	6401	MOLDE	5
6636	ANGVIK	6401	MOLDE	5	6408	AUREOSEN	6401	MOLDE	4
8520	ANKENES	8510	NARVIK	0	5745	AURLAND	5000	BERGEN	7
7241	ANSNES	7000	TRONDHEIM	8	1930	AURSKOG	1000	OSLO	6
1798	AREMARK	1700	ØSTFOLD	7	8854	AUSTBØ	8800	SANDNESSJØEN	7
4825	ARENDAL	4600	KRISTIANSAND	3	6110	AUSTEFJORDEN	6000	ÅLESUND	7
4836	ARENDAL	4600	KRISTIANSAND	3	2224	AUSTMARKA	2200	KONGVINGER	4
4838	ARENDAL	4600	KRISTIANSAND	3	4154	AUSTRE ÅMØY	4033	STAVANGER	6
4839	ARENDAL	4600	KRISTIANSAND	3	5943	AUSTRHEIM	5000	BERGEN	6
4841	ARENDAL	4600	KRISTIANSAND	3	2881	AUST-TORPA	2300	HAMAR	8
4842	ARENDAL	4600	KRISTIANSAND	3	2134	AUSTVATN	2200	KONGVINGER	4
4843	ARENDAL	4600	KRISTIANSAND	3	4262	AVALDSNES	5500	HAUGESUND	4
4844	ARENDAL	4600	KRISTIANSAND	3	6530	AVERØY	6401	MOLDE	4
4846	ARENDAL	4600	KRISTIANSAND	3	6531	AVERØY	6401	MOLDE	4
4847	ARENDAL	4600	KRISTIANSAND	3	6532	AVERØY	6401	MOLDE	4
4848	ARENDAL	4600	KRISTIANSAND	3	6533	AVERØY	6401	MOLDE	4
4849	ARENDAL	4600	KRISTIANSAND	3	2930	BAGN	2300	HAMAR	5
5262	ARNATVEIT	5000	BERGEN	4	5385	BAKKASUND	5000	BERGEN	8
5458	ARNAVIK	5500	HAUGESUND	6	5647	BALDERSHEIM	5000	BERGEN	7
2266	ARNEBERG	2200	KONGVINGER	4	6899	BALESTRAND	6800	FØRDE	4
9192	ARNØYHAMN	9000	TROMSØ	8	8540	BALLANGEN	8510	NARVIK	4

Postal codes that are not in use and postal codes that are PO boxes are not included in the list.  
Such postal codes are not valid as pickup or delivery addresses.

## ■ ■ Primary zone table, groupage and part loads

Postal Code	Location	Terminal Id	Terminal name	Zone	Postal Code	Location	Terminal Id	Terminal name	Zone
8373	BALLSTAD	8371	SVOLVÆR	4	5035	BERGEN	5000	BERGEN	0
7822	BANGSUND	7000	TRONDHEIM	8	5036	BERGEN	5000	BERGEN	0
8897	BARDAL	8800	SANDNESSJØEN	5	5037	BERGEN	5000	BERGEN	0
9360	BARDU	8510	NARVIK	6	5038	BERGEN	5000	BERGEN	0
9325	BARDUFOSS	8510	NARVIK	6	5039	BERGEN	5000	BERGEN	0
6916	BAREKSTAD	6800	FØRDE	8	5041	BERGEN	5000	BERGEN	0
9178	BARENTSBURG	9000	TROMSØ	0	5042	BERGEN	5000	BERGEN	0
8426	BARKESTAD	8403	SORTLAND	5	5043	BERGEN	5000	BERGEN	0
3157	BARKÅKER	3200	STOKKE	1	5045	BERGEN	5000	BERGEN	0
6715	BARMEN	6880	STRYN	7	5052	BERGEN	5000	BERGEN	0
6174	BARSTADVIK	6000	ÅLESUND	4	5053	BERGEN	5000	BERGEN	0
6917	BATALDEN	6800	FØRDE	8	5054	BERGEN	5000	BERGEN	0
6631	BATNFJORDSØRA	6401	MOLDE	4	5055	BERGEN	5000	BERGEN	0
2937	BEGNA	2300	HAMAR	6	5056	BERGEN	5000	BERGEN	0
2936	BEGNADALEN	2300	HAMAR	6	5057	BERGEN	5000	BERGEN	0
8522	BEISFJORD	8510	NARVIK	4	5058	BERGEN	5000	BERGEN	0
2952	BEITO	2300	HAMAR	5	5059	BERGEN	5000	BERGEN	0
2953	BEITOSTØLEN	2300	HAMAR	6	5063	BERGEN	5000	BERGEN	0
7730	BEITSTAD	7000	TRONDHEIM	8	5067	BERGEN	5000	BERGEN	0
1356	BEKKESTUA	1000	OSLO	3	5068	BERGEN	5000	BERGEN	0
1357	BEKKESTUA	1000	OSLO	3	5072	BERGEN	5000	BERGEN	0
5397	BEKKJARVIK	5000	BERGEN	6	5073	BERGEN	5000	BERGEN	0
1789	BERG I ØSTFOLD	1700	ØSTFOLD	3	5075	BERGEN	5000	BERGEN	0
5003	BERGEN	5000	BERGEN	0	5081	BERGEN	5000	BERGEN	0
5004	BERGEN	5000	BERGEN	0	5082	BERGEN	5000	BERGEN	0
5005	BERGEN	5000	BERGEN	0	5089	BERGEN	5000	BERGEN	0
5006	BERGEN	5000	BERGEN	0	5093	BERGEN	5000	BERGEN	0
5007	BERGEN	5000	BERGEN	0	5094	BERGEN	5000	BERGEN	0
5008	BERGEN	5000	BERGEN	0	5096	BERGEN	5000	BERGEN	0
5009	BERGEN	5000	BERGEN	0	5097	BERGEN	5000	BERGEN	0
5010	BERGEN	5000	BERGEN	0	5098	BERGEN	5000	BERGEN	0
5011	BERGEN	5000	BERGEN	0	5099	BERGEN	5000	BERGEN	0
5012	BERGEN	5000	BERGEN	0	3075	BERGER	3000	DRAMMEN	5
5013	BERGEN	5000	BERGEN	0	9580	BERGSFJORD	9510	ALTA	8
5014	BERGEN	5000	BERGEN	0	9980	BERLEVÅG	9846	TANA	8
5015	BERGEN	5000	BERGEN	0	7190	BESSAKER	7000	TRONDHEIM	8
5016	BERGEN	5000	BERGEN	0	1396	BILLINGSTAD	1000	OSLO	3
5017	BERGEN	5000	BERGEN	0	7982	BINDALSEIDET	7000	TRONDHEIM	4
5018	BERGEN	5000	BERGEN	0	2836	BIRI	2300	HAMAR	3
5019	BERGEN	5000	BERGEN	0	2837	BIRISTRAND	2300	HAMAR	3
5021	BERGEN	5000	BERGEN	0	4760	BIRKELAND	4600	KRISTIANSAND	4
5022	BERGEN	5000	BERGEN	0	9147	BIRTAVARRE	9000	TROMSØ	8
5031	BERGEN	5000	BERGEN	0	9426	BJARKØY	9400	HARSTAD	8
5032	BERGEN	5000	BERGEN	0	4536	BJELLAND	4600	KRISTIANSAND	7
5033	BERGEN	5000	BERGEN	0	8643	BJERKA	8600	MO I RANA	4
5034	BERGEN	5000	BERGEN	0	4387	BJERKREIM	4033	STAVANGER	7

Postal codes that are not in use and postal codes that are PO boxes are not included in the list.  
Such postal codes are not valid as pickup or delivery addresses.

## ■ ■ Primary zone table, groupage and part loads

Postal Code	Location	Terminal Id	Terminal name	Zone	Postal Code	Location	Terminal Id	Terminal name	Zone
8530	BJERKVIK	8510	NARVIK	4	8070	BODØ	8000	FAUSKE	0
5584	BJOA	5500	HAUGESUND	6	8071	BODØ	8000	FAUSKE	0
3522	BJONEROA	3000	DRAMMEN	7	8072	BODØ	8000	FAUSKE	0
4824	BJORBEKK	4600	KRISTIANSAND	4	8073	BODØ	8000	FAUSKE	0
5962	BJORDAL	5000	BERGEN	8	8074	BODØ	8000	FAUSKE	0
2669	BJORLI	2670	OTTA	6	8075	BODØ	8000	FAUSKE	0
7160	BJUGN	7000	TRONDHEIM	8	8076	BODØ	8000	FAUSKE	0
6190	BJØRKE	6000	ÅLESUND	7	8079	BODØ	8000	FAUSKE	0
1940	BJØRRELANGEN	1000	OSLO	6	8533	BOGEN I OFOTEN	8510	NARVIK	6
5170	BJØRNDALSTRÆ	5000	BERGEN	0	8288	BOGØY	8000	FAUSKE	8
1453	BJØRNEMYR	1000	OSLO	6	7282	BOGØYVÆR	7000	TRONDHEIM	8
9910	BJØRNEVATN	9846	TANA	8	5561	BOKN	5500	HAUGESUND	6
9176	BJØRNØYA	9000	TROMSØ	0	8158	BOLGA	8000	FAUSKE	8
5177	BJØRØYHAMN	5000	BERGEN	7	5723	BOLSTADØYRI	5000	BERGEN	6
1925	BLAKER	1000	OSLO	5	6457	BOLSØYA	6401	MOLDE	4
6795	BLAKSÆTER	6880	STRYN	4	1388	BORGEN	1000	OSLO	3
8481	BLEIK	8403	SORTLAND	4	1738	BORGENHAUGEN	1700	ØSTFOLD	3
8647	BLEIKVASSLIA	8600	MO I RANA	7	1739	BORGENHAUGEN	1700	ØSTFOLD	3
8096	BLIKSVÆR	8000	FAUSKE	5	6888	BORGUND	6800	FØRDE	5
1365	BLOMMENHOLM	1000	OSLO	3	4563	BORHAUG	4600	KRISTIANSAND	7
5258	BLOMSTERDALEN	5000	BERGEN	0	9475	BORKENES	9400	HARSTAD	5
2014	BLYSTADLIA	1000	OSLO	2	3184	BORRE	3200	STOKKE	1
8003	BODØ	8000	FAUSKE	0	4916	BORØY	4600	KRISTIANSAND	7
8004	BODØ	8000	FAUSKE	0	7070	BOSBERG	7000	TRONDHEIM	3
8005	BODØ	8000	FAUSKE	0	9373	BOTNHAMN	8510	NARVIK	7
8006	BODØ	8000	FAUSKE	0	6062	BRANDAL	6000	ÅLESUND	4
8007	BODØ	8000	FAUSKE	0	5423	BRANDASUND	5500	HAUGESUND	8
8008	BODØ	8000	FAUSKE	0	2760	BRANDBU	1000	OSLO	6
8009	BODØ	8000	FAUSKE	0	7194	BRANDSFJORD	7000	TRONDHEIM	8
8010	BODØ	8000	FAUSKE	0	2219	BRANDVAL	2200	KONGVINGER	3
8011	BODØ	8000	FAUSKE	0	2435	BRASKEREIDFOSS	2200	KONGVINGER	6
8012	BODØ	8000	FAUSKE	0	8842	BRASØY	8800	SANDNESSJØEN	7
8013	BODØ	8000	FAUSKE	0	8730	BRATLAND	8600	MO I RANA	8
8014	BODØ	8000	FAUSKE	3	5350	BRATTHOLMEN	5000	BERGEN	4
8015	BODØ	8000	FAUSKE	3	6270	BRATTVÅG	6000	ÅLESUND	3
8016	BODØ	8000	FAUSKE	4	6827	BREIM	6880	STRYN	4
8019	BODØ	8000	FAUSKE	3	5111	BREISTEIN	5000	BERGEN	5
8020	BODØ	8000	FAUSKE	3	8103	BREIVIK I SALTEN	8000	FAUSKE	7
8021	BODØ	8000	FAUSKE	3	9593	BREIVIKBOTN	9510	ALTA	8
8022	BODØ	8000	FAUSKE	3	5961	BREKKE	5000	BERGEN	8
8023	BODØ	8000	FAUSKE	3	7370	BREKKEBYGD	7374	RØROS	7
8026	BODØ	8000	FAUSKE	3	4780	BREKKESTØ	4600	KRISTIANSAND	4
8027	BODØ	8000	FAUSKE	3	7896	BREKKVASELV	7000	TRONDHEIM	8
8028	BODØ	8000	FAUSKE	3	7130	BREKSTAD	7000	TRONDHEIM	8
8029	BODØ	8000	FAUSKE	3	6727	BREMANGER	6800	FØRDE	7
8030	BODØ	8000	FAUSKE	3	5430	BREMNES	5500	HAUGESUND	7

Postal codes that are not in use and postal codes that are PO boxes are not included in the list.  
Such postal codes are not valid as pickup or delivery addresses.

## ■ ■ Primary zone table, groupage and part loads

Postal Code	Location	Terminal Id	Terminal name	Zone	Postal Code	Location	Terminal Id	Terminal name	Zone
4647	BRENNÅSEN	4600	KRISTIANSAND	3	6826	BYRKJELO	6880	STRYN	4
9118	BRENSHOLMEN	9000	TROMSØ	7	5970	BYRKNESØY	5000	BERGEN	8
8322	BRETTERNES	8371	SVOLVÆR	8	1353	BÆRUMS VERK	1000	OSLO	3
3950	BREVIK	3200	STOKKE	2	1354	BÆRUMS VERK	1000	OSLO	3
6792	BRIKSDALSBRE	6880	STRYN	4	8880	BÆRØYVÅGEN	8800	SANDNESSJØEN	8
4153	BRIMSE	4033	STAVANGER	7	6644	BÆVERFJORD	6401	MOLDE	5
4158	BRU	4033	STAVANGER	6	3800	BØ I TELEMARK	3200	STOKKE	7
2380	BRUMUNDDAL	2300	HAMAR	1	3801	BØ I TELEMARK	3200	STOKKE	7
2382	BRUMUNDDAL	2300	HAMAR	1	3802	BØ I TELEMARK	3200	STOKKE	7
2383	BRUMUNDDAL	2300	HAMAR	1	3803	BØ I TELEMARK	3200	STOKKE	7
2384	BRUMUNDDAL	2300	HAMAR	1	3804	BØ I TELEMARK	3200	STOKKE	7
2385	BRUMUNDDAL	2300	HAMAR	1	3805	BØ I TELEMARK	3200	STOKKE	7
2386	BRUMUNDDAL	2300	HAMAR	1	8470	BØ I VESTERÅLEN	8403	SORTLAND	6
2387	BRUMUNDDAL	2300	HAMAR	1	3472	BØDALEN	3000	DRAMMEN	5
2388	BRUMUNDDAL	2300	HAMAR	1	6643	BØFJORDEN	6401	MOLDE	5
4363	BRUSAND	4033	STAVANGER	7	6095	BØLANDET	6000	ÅLESUND	4
5285	BRUVIK	5000	BERGEN	6	5443	BØMLO	5500	HAUGESUND	6
2123	BRUVOLL	2200	KONGVINGER	4	2073	BØN	1000	OSLO	6
6711	BRYGGJA	6880	STRYN	4	5152	BØNES	5000	BERGEN	0
4340	BRYNE	4033	STAVANGER	3	5153	BØNES	5000	BERGEN	0
4341	BRYNE	4033	STAVANGER	3	5154	BØNES	5000	BERGEN	0
4344	BRYNE	4033	STAVANGER	3	5155	BØNES	5000	BERGEN	0
4345	BRYNE	4033	STAVANGER	3	7353	BØRSA	7000	TRONDHEIM	5
4346	BRYNE	4033	STAVANGER	3	9716	BØRSELV	9510	ALTA	8
8900	BRØNNØYSUND	8910	BRØNNØYSUND	0	8360	BØSTAD	8371	SVOLVÆR	4
8904	BRØNNØYSUND	8910	BRØNNØYSUND	0	2846	BØVERBRU	2300	HAMAR	4
8906	BRØNNØYSUND	8910	BRØNNØYSUND	0	2687	BØVERDALEN	2670	OTTA	5
8907	BRØNNØYSUND	8910	BRØNNØYSUND	0	5937	BØVÅGEN	5000	BERGEN	6
8908	BRØNNØYSUND	8910	BRØNNØYSUND	0	1866	BÅSTAD	1000	OSLO	6
8909	BRØNNØYSUND	8910	BRØNNØYSUND	0	9990	BÅTSFJORD	9846	TANA	8
9311	BRØSTADBOTN	8510	NARVIK	7	3477	BÅTSTØ	3000	DRAMMEN	6
2372	BRØTTUM	2300	HAMAR	4	3588	DAGALI	3550	GOL	4
2162	BRÅRUD	1000	OSLO	6	2072	DAL	1000	OSLO	6
6430	BUD	6401	MOLDE	4	6963	DALE I SUNNFJORD	6800	FØRDE	4
7298	BUDALEN	7000	TRONDHEIM	7	5722	DALEKVAM	5000	BERGEN	5
9935	BUGØYNES	9846	TANA	6	3880	DALEN	3200	STOKKE	8
6987	BULANDET	6800	FØRDE	8	2584	DALHOLEN	2300	HAMAR	8
9161	BURFJORD	9510	ALTA	8	2552	DALSBYGDA	2300	HAMAR	8
7350	BUVIKA	7000	TRONDHEIM	4	8617	DALSGRENDA	8600	MO I RANA	4
2822	BYBRUA	2300	HAMAR	4	5960	DALSØYRA	5000	BERGEN	8
4745	BYGLAND	4600	KRISTIANSAND	7	6730	DAVIK	6800	FØRDE	7
4741	BYGLANDSFJORD	4600	KRISTIANSAND	7	1892	DEGERNES	1700	ØSTFOLD	7
6977	BYGSTAD	6800	FØRDE	4	6718	DEKNEPOLLEN	6880	STRYN	4
4754	BYKLE	4600	KRISTIANSAND	8	8324	DIGERMULEN	8371	SVOLVÆR	8
4168	BYRE	4033	STAVANGER	7	1570	DILLING	1700	ØSTFOLD	0
4529	BYREMO	4600	KRISTIANSAND	7	5464	DIMMELSVIK	5500	HAUGESUND	8

Postal codes that are not in use and postal codes that are PO boxes are not included in the list.  
Such postal codes are not valid as pickup or delivery addresses.

## ■ ■ Primary zone table, groupage and part loads

Postal Code	Location	Terminal Id	Terminal name	Zone	Postal Code	Location	Terminal Id	Terminal name	Zone
4335	DIRDAL	4033	STAVANGER	7	3048	DRAMMEN	3000	DRAMMEN	0
2114	DISENÅ	2200	KONGVINGER	4	3750	DRANGEDAL	3200	STOKKE	8
2870	DOKKA	2300	HAMAR	6	2443	DREVSJØ	2300	HAMAR	8
7252	DOLMØY	7000	TRONDHEIM	8	7345	DRIVA	7000	TRONDHEIM	7
2660	DOMBÅS	2670	OTTA	4	1440	DRØBAK	1000	OSLO	4
2662	DOVRE	2670	OTTA	3	1443	DRØBAK	1000	OSLO	4
2663	DOVRESKOGEN	2670	OTTA	3	1444	DRØBAK	1000	OSLO	4
8270	DRAG	8000	FAUSKE	8	1445	DRØBAK	1000	OSLO	4
3000	DRAMMEN	3000	DRAMMEN	0	1446	DRØBAK	1000	OSLO	4
3004	DRAMMEN	3000	DRAMMEN	0	1447	DRØBAK	1000	OSLO	4
3011	DRAMMEN	3000	DRAMMEN	0	1448	DRØBAK	1000	OSLO	4
3012	DRAMMEN	3000	DRAMMEN	0	1449	DRØBAK	1000	OSLO	4
3013	DRAMMEN	3000	DRAMMEN	0	3133	DUKEN	3200	STOKKE	4
3014	DRAMMEN	3000	DRAMMEN	0	8485	DVERBERG	8403	SORTLAND	4
3015	DRAMMEN	3000	DRAMMEN	0	9782	DYFJORD	9846	TANA	8
3016	DRAMMEN	3000	DRAMMEN	0	7270	DYRVIK	7000	TRONDHEIM	8
3017	DRAMMEN	3000	DRAMMEN	0	4869	DØLEMO	4600	KRISTIANSAND	8
3018	DRAMMEN	3000	DRAMMEN	0	8820	DØNNA	8800	SANDNESSJØEN	5
3019	DRAMMEN	3000	DRAMMEN	0	3895	EDLAND	3200	STOKKE	8
3021	DRAMMEN	3000	DRAMMEN	0	4370	EGERSUND	4033	STAVANGER	6
3022	DRAMMEN	3000	DRAMMEN	0	4371	EGERSUND	4033	STAVANGER	6
3023	DRAMMEN	3000	DRAMMEN	0	4372	EGERSUND	4033	STAVANGER	6
3024	DRAMMEN	3000	DRAMMEN	0	4373	EGERSUND	4033	STAVANGER	6
3025	DRAMMEN	3000	DRAMMEN	0	4374	EGERSUND	4033	STAVANGER	6
3026	DRAMMEN	3000	DRAMMEN	0	3359	EGGEDAL	3000	DRAMMEN	7
3027	DRAMMEN	3000	DRAMMEN	0	7355	EGGKLEIVA	7000	TRONDHEIM	6
3028	DRAMMEN	3000	DRAMMEN	0	6490	EIDE	6401	MOLDE	4
3029	DRAMMEN	3000	DRAMMEN	0	5783	EIDFJORD	5000	BERGEN	8
3030	DRAMMEN	3000	DRAMMEN	0	1880	EIDSBERG	1000	OSLO	6
3031	DRAMMEN	3000	DRAMMEN	0	6350	EIDSBYGDA	6401	MOLDE	6
3032	DRAMMEN	3000	DRAMMEN	0	6215	EIDSDAL	6000	ÅLESUND	7
3033	DRAMMEN	3000	DRAMMEN	0	3095	EIDSFLOSS	3000	DRAMMEN	5
3034	DRAMMEN	3000	DRAMMEN	0	5728	EIDSLANDET	5000	BERGEN	8
3035	DRAMMEN	3000	DRAMMEN	0	6037	EIDSNES	6000	ÅLESUND	1
3036	DRAMMEN	3000	DRAMMEN	0	2080	EIDSVOLL	1000	OSLO	6
3037	DRAMMEN	3000	DRAMMEN	0	2074	EIDSVOLL VERK	1000	OSLO	6
3038	DRAMMEN	3000	DRAMMEN	0	6460	EIDSVÅG I ROMSDAL	6401	MOLDE	4
3039	DRAMMEN	3000	DRAMMEN	0	5104	EIDSVÅG I ÅSANE	5000	BERGEN	0
3040	DRAMMEN	3000	DRAMMEN	0	5105	EIDSVÅG I ÅSANE	5000	BERGEN	0
3041	DRAMMEN	3000	DRAMMEN	0	5101	EIDSVÅGNESET	5000	BERGEN	0
3042	DRAMMEN	3000	DRAMMEN	0	6142	EIDSÅ	6000	ÅLESUND	7
3043	DRAMMEN	3000	DRAMMEN	0	5913	EIKANGERVÅG	5000	BERGEN	6
3044	DRAMMEN	3000	DRAMMEN	0	6940	EIKEFJORD	6800	FØRDE	4
3045	DRAMMEN	3000	DRAMMEN	0	5640	EIKELANDSOSEN	5000	BERGEN	6
3046	DRAMMEN	3000	DRAMMEN	0	4596	EIKEN	4600	KRISTIANSAND	7
3047	DRAMMEN	3000	DRAMMEN	0	6472	EIKESDAL	6401	MOLDE	8

Postal codes that are not in use and postal codes that are PO boxes are not included in the list.  
Such postal codes are not valid as pickup or delivery addresses.

## ■ ■ Primary zone table, groupage and part loads

Postal Code	Location	Terminal Id	Terminal name	Zone	Postal Code	Location	Terminal Id	Terminal name	Zone
1359	EIKSMARKA	1000	OSLO	3	5244	FANA	5000	BERGEN	1
6068	EIKSUND	6000	ÅLESUND	3	7320	FANNREM	7000	TRONDHEIM	7
2843	EINA	2300	HAMAR	4	6858	FARDAL	6800	FØRDE	0
5966	EIVINDVIK	5000	BERGEN	8	6444	FARSTAD	6401	MOLDE	4
7624	EKNE	7000	TRONDHEIM	8	4550	FARSUND	4600	KRISTIANSAND	5
2446	ELGÅ	2300	HAMAR	8	8200	FAUSKE	8000	FAUSKE	0
6057	ELLINGSØY	6000	ÅLESUND	5	8206	FAUSKE	8000	FAUSKE	0
6440	ELNESVÅGEN	6401	MOLDE	4	8207	FAUSKE	8000	FAUSKE	0
8672	ELSFJORD	8600	MO I RANA	7	8208	FAUSKE	8000	FAUSKE	0
7519	ELVARLI	7000	TRONDHEIM	5	8209	FAUSKE	8000	FAUSKE	0
8523	ELVEGÅRD	8510	NARVIK	4	8210	FAUSKE	8000	FAUSKE	0
2406	ELVERUM	2300	HAMAR	3	8211	FAUSKE	8000	FAUSKE	0
2407	ELVERUM	2300	HAMAR	3	8214	FAUSKE	8000	FAUSKE	0
2408	ELVERUM	2300	HAMAR	3	8218	FAUSKE	8000	FAUSKE	0
2409	ELVERUM	2300	HAMAR	3	8219	FAUSKE	8000	FAUSKE	0
2411	ELVERUM	2300	HAMAR	3	4485	FEDA	4033	STAVANGER	6
2413	ELVERUM	2300	HAMAR	3	5947	FEDJE	5000	BERGEN	8
2414	ELVERUM	2300	HAMAR	3	6895	FEIOS	6800	FØRDE	4
1912	ENEBAKK	1000	OSLO	5	2093	FEIRING	1000	OSLO	6
1910	ENEBAKKNESET	1000	OSLO	5	2170	FENSTAD	1000	OSLO	6
8264	ENGAN	8000	FAUSKE	8	1900	FETSUND	1000	OSLO	5
8170	ENGAVÅGEN	8000	FAUSKE	8	4870	FEVIK	4600	KRISTIANSAND	4
1628	ENGELSVIKEN	1700	ØSTFOLD	4	7110	FEVÅG	7000	TRONDHEIM	7
8289	ENGELØYA	8000	FAUSKE	8	5548	FEØY	5500	HAUGESUND	6
9455	ENGENES	8510	NARVIK	8	4332	FIGGJO	4033	STAVANGER	3
2866	ENGER	2300	HAMAR	6	6394	FIKSDAL	6401	MOLDE	5
2440	ENGERDAL	2300	HAMAR	8	3480	FILTVET	3000	DRAMMEN	6
4768	ENGESLAND	4600	KRISTIANSAND	6	8642	FINNEIDFJORD	8600	MO I RANA	4
5306	ERDAL	5000	BERGEN	5	9300	FINNSNES	8510	NARVIK	6
6470	ERESFJORD	6401	MOLDE	7	9307	FINNSNES	8510	NARVIK	6
4233	ERFJORD	5500	HAUGESUND	7	9308	FINNSNES	8510	NARVIK	6
2338	ESPA	2300	HAMAR	3	9309	FINNSNES	8510	NARVIK	6
2658	ESPEDALEN	2300	HAMAR	6	4160	FINNØY	4033	STAVANGER	7
5267	ESPELAND	5000	BERGEN	4	5437	FINNÅS	5500	HAUGESUND	7
5444	ESPEVÆR	5500	HAUGESUND	8	5719	FINSE	5000	BERGEN	8
5590	ETNE	5500	HAUGESUND	7	4646	FINSLAND	4600	KRISTIANSAND	4
2890	ETNEDAL	2300	HAMAR	8	1475	FINSTADJORDET	1000	OSLO	0
5707	EVANGER	5000	BERGEN	6	6035	FISKARSTRAND	6000	ÅLESUND	2
8536	EVENES	8510	NARVIK	5	3322	FISKUM	3000	DRAMMEN	5
9440	EVENSJØEN	8510	NARVIK	5	6143	FISKÅ	6000	ÅLESUND	7
4735	EVJE	4600	KRISTIANSAND	5	4139	FISTER	4033	STAVANGER	7
4810	EYDEHAVN	4600	KRISTIANSAND	4	5419	FITJAR	5500	HAUGESUND	6
2900	FAGERNES	2300	HAMAR	3	5459	FJELBERG	5500	HAUGESUND	8
1454	FAGERSTRAND	1000	OSLO	6	5357	FJELL	5000	BERGEN	2
2864	FALL	2300	HAMAR	4	9441	FJELLDAL	8510	NARVIK	6
5243	FANA	5000	BERGEN	1	1472	FJELLHAMAR	1000	OSLO	0

Postal codes that are not in use and postal codes that are PO boxes are not included in the list.  
Such postal codes are not valid as pickup or delivery addresses.

### Primary zone table, groupage and part loads

Postal Code	Location	Terminal Id	Terminal name	Zone	Postal Code	Location	Terminal Id	Terminal name	Zone
1458	FJELLSTRAND	1000	OSLO	6	5303	FOLLESE	5000	BERGEN	5
2008	FJERDINGBY	1000	OSLO	2	5953	FONNES	5000	BERGEN	6
9388	FJORDGARD	8510	NARVIK	7	1360	FORNEBU	1000	OSLO	3
5598	FJÆRA	5500	HAUGESUND	7	1364	FORNEBU	1000	OSLO	3
6848	FJÆRLAND	6800	FØRDE	7	4110	FORSAND	4033	STAVANGER	7
6294	FJØRTOFT	6000	ÅLESUND	7	9612	FORSØL	9510	ALTA	8
7596	FLAKNAN	7000	TRONDHEIM	7	6877	FORTUN	6800	FØRDE	5
9393	FLAKSTADVÅG	8510	NARVIK	7	6090	FOSNAVÅG	6000	ÅLESUND	4
5134	FLAKTVEIT	5000	BERGEN	0	6091	FOSNAVÅG	6000	ÅLESUND	4
5135	FLAKTVEIT	5000	BERGEN	0	6092	FOSNAVÅG	6000	ÅLESUND	4
7770	FLATANGER	7000	TRONDHEIM	8	4544	FOSSDAL	4600	KRISTIANSAND	7
3841	FLATDAL	3200	STOKKE	8	1963	FOSSER	1000	OSLO	6
1911	FLATEBY	1000	OSLO	5	7819	FOSSLANDSOSEN	7000	TRONDHEIM	8
6717	FLATRAKET	6880	STRYN	6	5283	FOTLANDSVÅG	5000	BERGEN	6
5687	FLATRÅKER	5000	BERGEN	6	1600	FREDRIKSTAD	1700	ØSTFOLD	0
7079	FLATÅSEN	7000	TRONDHEIM	0	1604	FREDRIKSTAD	1700	ØSTFOLD	0
7099	FLATÅSEN	7000	TRONDHEIM	0	1605	FREDRIKSTAD	1700	ØSTFOLD	0
8094	FLEINVÆR	8000	FAUSKE	5	1606	FREDRIKSTAD	1700	ØSTFOLD	0
6968	FLEKKE	6800	FØRDE	4	1607	FREDRIKSTAD	1700	ØSTFOLD	0
4400	FLEKKEFJORD	4033	STAVANGER	4	1608	FREDRIKSTAD	1700	ØSTFOLD	0
4625	FLEKKERØY	4600	KRISTIANSAND	3	1610	FREDRIKSTAD	1700	ØSTFOLD	0
6637	FLEMMÅ	6401	MOLDE	5	1613	FREDRIKSTAD	1700	ØSTFOLD	0
3620	FLESBERG	3000	DRAMMEN	6	1614	FREDRIKSTAD	1700	ØSTFOLD	0
2270	FLISA	2200	KONGVINGER	4	1615	FREDRIKSTAD	1700	ØSTFOLD	0
7525	FLORNES	7000	TRONDHEIM	6	1617	FREDRIKSTAD	1700	ØSTFOLD	0
5305	FLORVÅG	5000	BERGEN	5	1618	FREDRIKSTAD	1700	ØSTFOLD	0
6900	FLORØ	6800	FØRDE	4	1619	FREDRIKSTAD	1700	ØSTFOLD	0
6905	FLORØ	6800	FØRDE	4	8387	FREDVANG	8371	SVOLVÆR	4
6906	FLORØ	6800	FØRDE	4	6520	FREI	6401	MOLDE	5
6907	FLORØ	6800	FØRDE	4	6521	FREI	6401	MOLDE	5
6908	FLORØ	6800	FØRDE	4	6522	FREI	6401	MOLDE	5
6910	FLORØ	6800	FØRDE	5	6523	FREI	6401	MOLDE	5
6913	FLORØ	6800	FØRDE	5	6524	FREI	6401	MOLDE	5
2862	FLUBERG	2300	HAMAR	4	6525	FREI	6401	MOLDE	5
4128	FLØYRLI	4033	STAVANGER	8	5918	FREKHAUG	5000	BERGEN	5
3539	FLÅ	3550	GOL	4	5919	FREKHAUG	5000	BERGEN	5
5743	FLÅM	5000	BERGEN	7	6896	FRESVIK	6800	FØRDE	4
4164	FOGN	4033	STAVANGER	7	2016	FROGNER	1000	OSLO	3
7985	FOLDEREID	7000	TRONDHEIM	8	4820	FROLAND	4600	KRISTIANSAND	4
6694	FOLDFJORDEN	6401	MOLDE	5	4827	FROLANDS VERK	4600	KRISTIANSAND	4
5428	FOLDRØYHAMN	5500	HAUGESUND	7	7633	FROSTA	7000	TRONDHEIM	7
4198	FOLDØY	5500	HAUGESUND	7	6855	FRØNNINGEN	6800	FØRDE	7
6120	FOLKESTAD	6000	ÅLESUND	7	6994	FURE	6800	FØRDE	6
7796	FOLLAFOSS	7000	TRONDHEIM	8	2320	FURNES	2300	HAMAR	0
2580	FOLLDAL	2300	HAMAR	8	9062	FURUFLATEN	9000	TROMSØ	7
2656	FOLLEBU	2300	HAMAR	5	6611	FURUGRENDA	6401	MOLDE	4

Postal codes that are not in use and postal codes that are PO boxes are not included in the list.  
Such postal codes are not valid as pickup or delivery addresses.

### Primary zone table, groupage and part loads

Postal Code	Location	Terminal Id	Terminal name	Zone	Postal Code	Location	Terminal Id	Terminal name	Zone
5641	FUSA	5000	BERGEN	6	8314	GIMSØYSAND	8371	SVOLVÆR	4
5141	FYLLINGSDALEN	5000	BERGEN	0	6052	GISKE	6000	ÅLESUND	5
5142	FYLLINGSDALEN	5000	BERGEN	0	8097	GIVÆR	8000	FAUSKE	5
5143	FYLLINGSDALEN	5000	BERGEN	0	6633	GJEMNES	6401	MOLDE	4
5144	FYLLINGSDALEN	5000	BERGEN	0	7973	GJERDINGA	7000	TRONDHEIM	8
5145	FYLLINGSDALEN	5000	BERGEN	0	2022	GJERDRUM	1000	OSLO	3
5146	FYLLINGSDALEN	5000	BERGEN	0	6083	GJERDSVIKA	6000	ÅLESUND	5
5147	FYLLINGSDALEN	5000	BERGEN	0	4980	GJERSTAD	4600	KRISTIANSAND	6
5148	FYLLINGSDALEN	5000	BERGEN	0	8189	GJERSVIKGRENDA	8000	FAUSKE	5
3870	FYRESDAL	3200	STOKKE	8	8195	GJERØY	8000	FAUSKE	8
4818	FÆRVIK	4600	KRISTIANSAND	4	9765	GJESVÆR	9510	ALTA	8
6800	FØRDE	6800	FØRDE	0	2280	GJESÅSEN	2200	KONGVINGER	4
6809	FØRDE	6800	FØRDE	0	1346	GJETTUM	1000	OSLO	3
6810	FØRDE	6800	FØRDE	0	4912	GJEVING	4600	KRISTIANSAND	7
6811	FØRDE	6800	FØRDE	0	7285	GJÆSINGEN	7000	TRONDHEIM	8
6812	FØRDE	6800	FØRDE	0	7310	GJØLME	7000	TRONDHEIM	7
6813	FØRDE	6800	FØRDE	0	6613	GJØRA	6401	MOLDE	7
6814	FØRDE	6800	FØRDE	0	2815	GJØVIK	2300	HAMAR	3
6815	FØRDE	6800	FØRDE	0	2816	GJØVIK	2300	HAMAR	3
6819	FØRDE	6800	FØRDE	0	2817	GJØVIK	2300	HAMAR	3
5555	FØRDE I HORDALAND	5500	HAUGESUND	4	2818	GJØVIK	2300	HAMAR	3
5563	FØRRESFJORDEN	5500	HAUGESUND	3	2819	GJØVIK	2300	HAMAR	3
2625	FÅBERG	2300	HAMAR	4	2821	GJØVIK	2300	HAMAR	3
2634	FÅVANG	2670	OTTA	3	2825	GJØVIK	2300	HAMAR	3
2223	GALTERUD	2200	KONGVINGER	3	5381	GLESVÆR	5000	BERGEN	6
1630	GAMLE FREDRIKSTAD	1700	ØSTFOLD	0	8160	GLOMFJORD	8000	FAUSKE	8
1632	GAMLE FREDRIKSTAD	1700	ØSTFOLD	0	7372	GLÅMOS	7374	RØROS	6
1633	GAMLE FREDRIKSTAD	1700	ØSTFOLD	0	5179	GODVIK	5000	BERGEN	0
1634	GAMLE FREDRIKSTAD	1700	ØSTFOLD	0	6055	GODØYA	6000	ÅLESUND	6
1636	GAMLE FREDRIKSTAD	1700	ØSTFOLD	0	3550	GOL	3550	GOL	0
1637	GAMLE FREDRIKSTAD	1700	ØSTFOLD	0	2750	GRAN	1000	OSLO	6
1639	GAMLE FREDRIKSTAD	1700	ØSTFOLD	0	2210	GRANLI	2200	KONGVINGER	3
9775	GAMVIK	9846	TANA	8	3691	GRANSHERAD	3000	DRAMMEN	7
1903	GAN	1000	OSLO	5	5736	GRANVIN	5000	BERGEN	6
2060	GARDERMOEN	1000	OSLO	2	9470	GRATANGEN	8510	NARVIK	7
2133	GARDVIK	2200	KONGVINGER	4	2438	GRAVBERGET	2300	HAMAR	8
2685	GARMO	2670	OTTA	5	8372	GRAVDAL	8371	SVOLVÆR	0
5264	GARNES	5000	BERGEN	5	4742	GRENDI	4600	KRISTIANSAND	7
7153	GARTEN	7000	TRONDHEIM	8	1621	GRESSVIK	1700	ØSTFOLD	3
2355	GAUPEN	2300	HAMAR	3	1622	GRESSVIK	1700	ØSTFOLD	3
6868	GAUPNE	6800	FØRDE	3	1623	GRESSVIK	1700	ØSTFOLD	3
3580	GEILO	3550	GOL	3	1624	GRESSVIK	1700	ØSTFOLD	3
6216	GEIRANGER	6000	ÅLESUND	8	1718	GREÅKER	1700	ØSTFOLD	3
3360	GEITHUS	3000	DRAMMEN	5	1719	GREÅKER	1700	ØSTFOLD	3
9372	GIBOSTAD	8510	NARVIK	7	5777	GRIMO	5000	BERGEN	8
7227	GIMSE	7000	TRONDHEIM	6	2582	GRIMSBU	2300	HAMAR	8

Postal codes that are not in use and postal codes that are PO boxes are not included in the list.  
Such postal codes are not valid as pickup or delivery addresses.

## ■ ■ Primary zone table, groupage and part loads

Postal Code	Location	Terminal Id	Terminal name	Zone	Postal Code	Location	Terminal Id	Terminal name	Zone
4876	GRIMSTAD	4600	KRISTIANSAND	3	1487	HAKADAL	1000	OSLO	4
4877	GRIMSTAD	4600	KRISTIANSAND	3	1488	HAKADAL	1000	OSLO	4
4878	GRIMSTAD	4600	KRISTIANSAND	3	9532	HAKKSTABBEN	9510	ALTA	8
4879	GRIMSTAD	4600	KRISTIANSAND	3	1763	HALDEN	1700	ØSTFOLD	3
4885	GRIMSTAD	4600	KRISTIANSAND	3	1764	HALDEN	1700	ØSTFOLD	3
4886	GRIMSTAD	4600	KRISTIANSAND	3	1765	HALDEN	1700	ØSTFOLD	3
4887	GRIMSTAD	4600	KRISTIANSAND	3	1766	HALDEN	1700	ØSTFOLD	3
2264	GRINDER	2200	KONGVINGER	3	1767	HALDEN	1700	ØSTFOLD	3
2720	GRINDVOLL	1000	OSLO	6	1768	HALDEN	1700	ØSTFOLD	3
7870	GRONG	7000	TRONDHEIM	8	1769	HALDEN	1700	ØSTFOLD	3
2695	GROTLI	2670	OTTA	6	1771	HALDEN	1700	ØSTFOLD	3
9446	GROVFJORD	8510	NARVIK	6	1772	HALDEN	1700	ØSTFOLD	3
2742	GRUA	1000	OSLO	6	1776	HALDEN	1700	ØSTFOLD	3
2256	GRUE FINNSKOG	2200	KONGVINGER	5	1777	HALDEN	1700	ØSTFOLD	3
9380	GRYLLEFJORD	8510	NARVIK	7	1778	HALDEN	1700	ØSTFOLD	3
6612	GRØA	6401	MOLDE	6	1779	HALDEN	1700	ØSTFOLD	3
9423	GRØTAVÆR	9400	HARSTAD	7	1781	HALDEN	1700	ØSTFOLD	3
1712	GRÅLUM	1700	ØSTFOLD	3	1782	HALDEN	1700	ØSTFOLD	3
1714	GRÅLUM	1700	ØSTFOLD	3	1783	HALDEN	1700	ØSTFOLD	3
6966	GUDDAL	6800	FØRDE	8	1784	HALDEN	1700	ØSTFOLD	3
5747	GUDVANGEN	5000	BERGEN	8	1785	HALDEN	1700	ØSTFOLD	3
3426	GULLAUG	3000	DRAMMEN	2	1786	HALDEN	1700	ØSTFOLD	3
3427	GULLAUG	3000	DRAMMEN	2	1788	HALDEN	1700	ØSTFOLD	3
8409	GULLESFJORD	8403	SORTLAND	4	3525	HALLINGBY	3000	DRAMMEN	5
6082	GURSKEN	6000	ÅLESUND	4	8178	HALSA	8000	FAUSKE	8
6080	GURSKØY	6000	ÅLESUND	4	6680	HALSANAUSTAN	6401	MOLDE	5
7993	GUTVIK	7000	TRONDHEIM	8	5455	HALSNØY KLOSTER	5500	HAUGESUND	8
3810	GVARV	3200	STOKKE	7	7383	HALTDALEN	7374	RØROS	6
4436	GYLAND	4033	STAVANGER	6	2315	HAMAR	2300	HAMAR	0
2646	GÅLÅ	2670	OTTA	4	2316	HAMAR	2300	HAMAR	0
7213	GÅSBAKKEN	7000	TRONDHEIM	7	2317	HAMAR	2300	HAMAR	0
6064	HADDAL	6000	ÅLESUND	4	2318	HAMAR	2300	HAMAR	0
4041	HAFRSFJORD	4033	STAVANGER	0	2319	HAMAR	2300	HAMAR	0
4042	HAFRSFJORD	4033	STAVANGER	0	2321	HAMAR	2300	HAMAR	0
4043	HAFRSFJORD	4033	STAVANGER	0	7263	HAMARVIK	7000	TRONDHEIM	8
4044	HAFRSFJORD	4033	STAVANGER	0	8294	HAMARØY	8000	FAUSKE	8
4045	HAFRSFJORD	4033	STAVANGER	0	9600	HAMMERFEST	9510	ALTA	6
4046	HAFRSFJORD	4033	STAVANGER	0	9601	HAMMERFEST	9510	ALTA	6
4047	HAFRSFJORD	4033	STAVANGER	0	9602	HAMMERFEST	9510	ALTA	6
4048	HAFRSFJORD	4033	STAVANGER	0	9603	HAMMERFEST	9510	ALTA	6
4049	HAFRSFJORD	4033	STAVANGER	0	9181	HAMNEIDET	9000	TROMSØ	8
6869	HAFSLO	6800	FØRDE	3	9450	HAMNVIK	8510	NARVIK	7
1734	HAFSLUNDSØY	1700	ØSTFOLD	3	4656	HAMRESANDEN	4600	KRISTIANSAND	2
1481	HAGAN	1000	OSLO	4	2478	HANESTAD	2300	HAMAR	7
5217	HAGAVIK	5000	BERGEN	5	9130	HANSNES	9000	TROMSØ	7
1484	HAKADAL	1000	OSLO	4	6290	HARAMSØY	6000	ÅLESUND	5

Postal codes that are not in use and postal codes that are PO boxes are not included in the list.  
Such postal codes are not valid as pickup or delivery addresses.

## ■ ■ Primary zone table, groupage and part loads

Postal Code	Location	Terminal Id	Terminal name	Zone	Postal Code	Location	Terminal Id	Terminal name	Zone
7981	HARANGSFJORD	7000	TRONDHEIM	5	5538	HAUGESUND	5500	HAUGESUND	0
6924	HARDBAKKE	6800	FØRDE	6	5310	HAUGLANDSHELLA	5000	BERGEN	5
6060	HAREID	6000	ÅLESUND	3	5983	HAUGSVÆR	5000	BERGEN	8
2743	HARESTUA	1000	OSLO	6	6818	HAUKEDALEN	6800	FØRDE	6
7873	HARRAN	7000	TRONDHEIM	8	5268	HAUKELAND	5000	BERGEN	1
9402	HARSTAD	9400	HARSTAD	0	5286	HAUS	5000	BERGEN	6
9403	HARSTAD	9400	HARSTAD	0	9159	HAVNNES	9000	TROMSØ	8
9404	HARSTAD	9400	HARSTAD	0	9690	HAVØYSUND	9510	ALTA	8
9405	HARSTAD	9400	HARSTAD	0	4235	HEBNES	5500	HAUGESUND	7
9406	HARSTAD	9400	HARSTAD	0	3528	HEDALEN	3000	DRAMMEN	7
9407	HARSTAD	9400	HARSTAD	0	1389	HEGGEDAL	1000	OSLO	3
9408	HARSTAD	9400	HARSTAD	0	2940	HEGGENES	2300	HAMAR	6
9409	HARSTAD	9400	HARSTAD	0	7520	HEGRA	7000	TRONDHEIM	6
9411	HARSTAD	9400	HARSTAD	0	2676	HEIDAL	2670	OTTA	4
9414	HARSTAD	9400	HARSTAD	0	7072	HEIMDAL	7000	TRONDHEIM	0
9415	HARSTAD	9400	HARSTAD	0	7080	HEIMDAL	7000	TRONDHEIM	0
6487	HARØY	6401	MOLDE	7	7088	HEIMDAL	7000	TRONDHEIM	0
2437	HASLEMOEN	2200	KONGVINGER	6	7089	HEIMDAL	7000	TRONDHEIM	0
1344	HASLUM	1000	OSLO	3	3608	HEISTADMOEN	3000	DRAMMEN	4
7112	HASSELVIKA	7000	TRONDHEIM	7	3295	HELGEROA	3200	STOKKE	1
9590	HASVIK	9510	ALTA	8	4167	HELGØY I RYFYLKE	4033	STAVANGER	7
7746	HASVÅG	7000	TRONDHEIM	8	7517	HELL	7000	TRONDHEIM	5
5635	HATLESTRAND	5000	BERGEN	6	7206	HELLANDSJØEN	7000	TRONDHEIM	8
8690	HATTFJELLDAL	8600	MO I RANA	8	3790	HELLE	3200	STOKKE	7
3595	HAUGASTØL	3550	GOL	5	4376	HELLELAND	4033	STAVANGER	7
4380	HAUGE I DALANE	4033	STAVANGER	7	6218	HELLESYLT	6000	ÅLESUND	6
5514	HAUGESUND	5500	HAUGESUND	0	5334	HELLESØY	5000	BERGEN	8
5515	HAUGESUND	5500	HAUGESUND	0	6967	HELLEVIK I FJALER	6800	FØRDE	4
5516	HAUGESUND	5500	HAUGESUND	0	8095	HELLIGVÆR	8000	FAUSKE	5
5517	HAUGESUND	5500	HAUGESUND	0	4375	HELLVIK	4033	STAVANGER	7
5518	HAUGESUND	5500	HAUGESUND	0	1970	HEMNES	1000	OSLO	6
5519	HAUGESUND	5500	HAUGESUND	0	8640	HEMNESBERGET	8600	MO I RANA	4
5521	HAUGESUND	5500	HAUGESUND	0	7256	HEMNSKJELA	7000	TRONDHEIM	7
5522	HAUGESUND	5500	HAUGESUND	0	3560	HEMSEDAL	3550	GOL	3
5523	HAUGESUND	5500	HAUGESUND	0	8414	HENNES	8403	SORTLAND	6
5525	HAUGESUND	5500	HAUGESUND	0	8312	HENNINGSVÆR	8371	SVOLVÆR	4
5527	HAUGESUND	5500	HAUGESUND	0	7744	HEPSØY	7000	TRONDHEIM	8
5528	HAUGESUND	5500	HAUGESUND	0	2415	HERADSBYGD	2300	HAMAR	4
5529	HAUGESUND	5500	HAUGESUND	0	5628	HERAND	5000	BERGEN	8
5531	HAUGESUND	5500	HAUGESUND	0	5315	HERDLA	5000	BERGEN	6
5532	HAUGESUND	5500	HAUGESUND	0	4766	HEREFOSS	4600	KRISTIANSAND	7
5533	HAUGESUND	5500	HAUGESUND	0	1690	HERFØL	1700	ØSTFOLD	7
5534	HAUGESUND	5500	HAUGESUND	0	5335	HERNAR	5000	BERGEN	8
5535	HAUGESUND	5500	HAUGESUND	0	2410	HERNES	2300	HAMAR	4
5536	HAUGESUND	5500	HAUGESUND	0	3965	HERRE	3200	STOKKE	2
5537	HAUGESUND	5500	HAUGESUND	0	6929	HERSVIKBYGDA	6800	FØRDE	6

Postal codes that are not in use and postal codes that are PO boxes are not included in the list.  
Such postal codes are not valid as pickup or delivery addresses.

## ■ ■ Primary zone table, groupage and part loads

Postal Code	Location	Terminal Id	Terminal name	Zone	Postal Code	Location	Terminal Id	Terminal name	Zone
5566	HERVIK	5500	HAUGESUND	6	5108	HORDVIK	5000	BERGEN	0
8850	HERØY	8800	SANDNESSJØEN	5	6763	HORNINDAL	6880	STRYN	3
5462	HERØYSUNDET	5500	HAUGESUND	8	4737	HORNNES	4600	KRISTIANSAND	5
9912	HESSENG	9846	TANA	7	3181	HORTEN	3200	STOKKE	1
6828	HESTENESØYRA	6880	STRYN	4	3182	HORTEN	3200	STOKKE	1
7247	HESTVIKA	7000	TRONDHEIM	8	3183	HORTEN	3200	STOKKE	1
5304	HETLEVIK	5000	BERGEN	5	3186	HORTEN	3200	STOKKE	1
4432	HIDRASUND	4033	STAVANGER	7	3187	HORTEN	3200	STOKKE	1
6272	HILDRE	6000	ÅLESUND	4	3188	HORTEN	3200	STOKKE	1
4817	HIS	4600	KRISTIANSAND	4	3189	HORTEN	3200	STOKKE	1
7240	HITRA	7000	TRONDHEIM	8	1362	HOSLE	1000	OSLO	3
3690	HJARTDAL	3000	DRAMMEN	8	5986	HOSTELAND	5000	BERGEN	7
6798	HJELLEDALLEN	6880	STRYN	4	2860	HOV	2300	HAMAR	5
5259	HJELLESTAD	5000	BERGEN	4	6160	HOVDEBYGDA	6000	ÅLESUND	4
4130	HJELMELAND	4033	STAVANGER	6	4755	HOVDEN I SETESDAL	4600	KRISTIANSAND	8
5915	HJELMÅS	5000	BERGEN	6	3577	HOVET	3550	GOL	3
6450	HJELSE	6401	MOLDE	3	7236	HOVIN I GAULDAL	7000	TRONDHEIM	6
2661	HJERKINN	2670	OTTA	6	3652	HOVIN I TELEMAR	3000	DRAMMEN	7
6063	HJØRUNGAVÅG	6000	ÅLESUND	3	5773	HOVLAND	5000	BERGEN	8
1827	HOBØL	1000	OSLO	6	4462	HOVSHERAD	4033	STAVANGER	7
3090	HOF	3000	DRAMMEN	5	5413	HUGLO	5500	HAUGESUND	8
3300	HOKKSUND	3000	DRAMMEN	3	6224	HUNDEIDVIK	6000	ÅLESUND	5
3302	HOKKSUND	3000	DRAMMEN	3	7562	HUNDHAMAREN	7000	TRONDHEIM	3
3303	HOKKSUND	3000	DRAMMEN	3	5956	HUNDEVIN	5000	BERGEN	8
2217	HOKKÅSEN	2200	KONGVINGER	3	4077	HUNDVÅG	4033	STAVANGER	2
3576	HOL	3550	GOL	3	4083	HUNDVÅG	4033	STAVANGER	2
9444	HOL I TJELDSUND	8510	NARVIK	8	4085	HUNDVÅG	4033	STAVANGER	2
6982	HOLMEDAL	6800	FØRDE	4	2827	HUNNDALEN	2300	HAMAR	3
5642	HOLMEFJORD	5000	BERGEN	6	2090	HURDAL	1000	OSLO	6
3080	HOLMESTRAND	3000	DRAMMEN	4	8723	HUSBY	8600	MO I RANA	8
3083	HOLMESTRAND	3000	DRAMMEN	4	7113	HUSBYSJØEN	7000	TRONDHEIM	7
3084	HOLMESTRAND	3000	DRAMMEN	4	6716	HUSEVÅG	6880	STRYN	7
3085	HOLMESTRAND	3000	DRAMMEN	4	5460	HUSNES	5500	HAUGESUND	6
3086	HOLMESTRAND	3000	DRAMMEN	4	6433	HUSTAD	6401	MOLDE	4
3089	HOLMESTRAND	3000	DRAMMEN	4	9389	HUSØY I SENJA	8510	NARVIK	7
3484	HOLMSBU	3000	DRAMMEN	6	3132	HUSØYSUND	3200	STOKKE	3
6779	HOLMØYANE	6880	STRYN	3	1395	HVALSTAD	1000	OSLO	3
2034	HOLTER	1000	OSLO	6	2165	HVAM	1000	OSLO	6
4519	HOLUM	4600	KRISTIANSAND	5	3148	HVASSER	3200	STOKKE	2
4888	HOMBORSUND	4600	KRISTIANSAND	4	1545	HVITSTEN	1000	OSLO	4
7550	HOMMELVIK	7000	TRONDHEIM	3	3647	HVITTINGFOSS	3000	DRAMMEN	4
4310	HOMMERSÅK	4033	STAVANGER	4	6829	HYEN	6880	STRYN	6
4311	HOMMERSÅK	4033	STAVANGER	4	3442	HYGGEN	3000	DRAMMEN	5
9750	HONNINGSVÅG	9510	ALTA	8	5109	HYLKJE	5000	BERGEN	0
9174	HOPEN	9000	TROMSØ	0	6957	HYLLESTAD	6800	FØRDE	4
6796	HOPLAND	6880	STRYN	4	4830	HYNNEKLEIV	4600	KRISTIANSAND	7

Postal codes that are not in use and postal codes that are PO boxes are not included in the list.  
Such postal codes are not valid as pickup or delivery addresses.

## ■ ■ Primary zone table, groupage and part loads

Postal Code	Location	Terminal Id	Terminal name	Zone	Postal Code	Location	Terminal Id	Terminal name	Zone
4720	HÆGELAND	4600	KRISTIANSAND	5	8099	JAN MAYEN	8000	FAUSKE	0
1878	HÆRLAND	1000	OSLO	6	8099	JAN MAYEN	8000	FAUSKE	0
1550	HØLEN	1700	ØSTFOLD	3	1358	JAR	1000	OSLO	3
3510	HØNEFOSS	3000	DRAMMEN	4	2770	JAREN	1000	OSLO	6
3511	HØNEFOSS	3000	DRAMMEN	4	8187	JEKTVIK	8000	FAUSKE	8
3512	HØNEFOSS	3000	DRAMMEN	4	4234	JELSA	5500	HAUGESUND	7
3513	HØNEFOSS	3000	DRAMMEN	4	7335	JERPSTAD	7000	TRONDHEIM	7
3514	HØNEFOSS	3000	DRAMMEN	4	2050	JESSHEIM	1000	OSLO	2
3515	HØNEFOSS	3000	DRAMMEN	4	2052	JESSHEIM	1000	OSLO	2
3516	HØNEFOSS	3000	DRAMMEN	4	2053	JESSHEIM	1000	OSLO	2
3517	HØNEFOSS	3000	DRAMMEN	4	2063	JESSHEIM	1000	OSLO	2
3518	HØNEFOSS	3000	DRAMMEN	4	2066	JESSHEIM	1000	OSLO	2
3519	HØNEFOSS	3000	DRAMMEN	4	2067	JESSHEIM	1000	OSLO	2
3811	HØRTE	3200	STOKKE	7	2068	JESSHEIM	1000	OSLO	2
1363	HØVIK	1000	OSLO	3	2069	JESSHEIM	1000	OSLO	2
1311	HØVIKODDEN	1000	OSLO	3	3520	JEVNAKER	3000	DRAMMEN	4
2673	HØVRINGEN	2670	OTTA	4	3781	JOMFRULAND	3200	STOKKE	8
4770	HØVÅG	4600	KRISTIANSAND	5	5627	JONDAL	5000	BERGEN	8
6993	HØYANGER	6800	FØRDE	5	7057	JONSVATNET	7000	TRONDHEIM	3
3891	HØYDALSMO	3200	STOKKE	8	2430	JORDET	2300	HAMAR	8
6875	HØYHEIMSVIK	6800	FØRDE	4	6871	JOSTEDAL	6800	FØRDE	7
7877	HØYLANDET	7000	TRONDHEIM	8	7856	JØA	7000	TRONDHEIM	8
5457	HØYLANDSBYGD	5500	HAUGESUND	8	9163	JØKELFJORD	9510	ALTA	8
4265	HÅVIK	5500	HAUGESUND	3	2416	JØMNA	2300	HAMAR	4
4102	IDSE	4033	STAVANGER	7	4100	JØRPELAND	4033	STAVANGER	5
6222	IKORNES	6000	ÅLESUND	4	4134	JØSENFJORDEN	5500	HAUGESUND	7
2344	ILSENG	2300	HAMAR	2	9043	JØVIK	9000	TROMSØ	8
7670	INDERØY	7000	TRONDHEIM	7	8310	KABELVÅG	8371	SVOLVÆR	4
5260	INDRE ARNA	5000	BERGEN	1	5229	KALANDSEIDET	5000	BERGEN	4
5261	INDRE ARNA	5000	BERGEN	1	9395	KALDFARNES	8510	NARVIK	7
9710	INDRE BILLEFJORD	9510	ALTA	8	6729	KALVÅG	6800	FØRDE	7
8743	INDRE KVARØY	8600	MO I RANA	8	3483	KANA	3000	DRAMMEN	6
7944	INDRE NÆRØY	7000	TRONDHEIM	8	2849	KAPP	2300	HAMAR	4
2323	INGEBERG	2300	HAMAR	0	9730	KARASJOK	9510	ALTA	8
9672	INGØY	9510	ALTA	8	4609	KARDEMOMME BY	4600	KRISTIANSAND	1
8140	INNDYR	8000	FAUSKE	8	9322	KARLSTAD	8510	NARVIK	5
6315	INNFJORDEN	6401	MOLDE	4	9138	KARLSØY	9000	TROMSØ	8
8260	INNHAVET	8000	FAUSKE	8	5542	KARMSUND	5500	HAUGESUND	0
6793	INNVIK	6880	STRYN	3	7082	KATTEM	7000	TRONDHEIM	0
5914	ISDALSTØ	5000	BERGEN	5	6854	KAUPANGER	6800	FØRDE	0
5916	ISDALSTØ	5000	BERGEN	5	9520	KAUTOKEINO	9510	ALTA	8
1730	ISE	1700	ØSTFOLD	4	9960	KIBERG	9846	TANA	8
6320	ISFJORDEN	6401	MOLDE	4	6912	KINN	6800	FØRDE	8
4724	IVELAND	4600	KRISTIANSAND	6	5780	KINSARVIK	5000	BERGEN	8
7058	JAKOBSLI	7000	TRONDHEIM	0	9900	KIRKENES	9846	TANA	7
7059	JAKOBSLI	7000	TRONDHEIM	0	2260	KIRKENÆR	2200	KONGVINGER	4

Postal codes that are not in use and postal codes that are PO boxes are not included in the list.  
Such postal codes are not valid as pickup or delivery addresses.

## ■ ■ Primary zone table, groupage and part loads

Postal Code	Location	Terminal Id	Terminal name	Zone	Postal Code	Location	Terminal Id	Terminal name	Zone
8543	KJELDEBOTN	8510	NARVIK	6	3614	KONGSBERG	3000	DRAMMEN	4
2007	KJELLER	1000	OSLO	2	3615	KONGSBERG	3000	DRAMMEN	4
5314	KJERRGARDEN	5000	BERGEN	5	3616	KONGSBERG	3000	DRAMMEN	4
8093	KJERRINGØY	8000	FAUSKE	8	3617	KONGSBERG	3000	DRAMMEN	4
6292	KJERSTAD	6000	ÅLESUND	7	9982	KONGSFJORD	9846	TANA	8
4657	KJEVIK	4600	KRISTIANSAND	2	4812	KONGSHAVN	4600	KRISTIANSAND	4
9790	KJØLLEFJORD	9846	TANA	8	9533	KONGSHUS	9510	ALTA	8
6776	KJØLSDALEN	6880	STRYN	4	7876	KONGSMOEN	7000	TRONDHEIM	8
3143	KJØPMANNSKJÆR	3200	STOKKE	1	9436	KONGSVIK	8510	NARVIK	5
8590	KJØPSVIK	8510	NARVIK	8	2200	KONGSVINGER	2200	KONGVINGER	0
6699	KJØRSVIKBUGEN	6401	MOLDE	5	2208	KONGSVINGER	2200	KONGVINGER	0
9424	KJØTTA	9400	HARSTAD	8	2209	KONGSVINGER	2200	KONGVINGER	0
1743	KLAVESTADHAUGEN	1700	ØSTFOLD	3	2211	KONGSVINGER	2200	KONGVINGER	0
6453	KLEIVE	6401	MOLDE	4	2212	KONGSVINGER	2200	KONGVINGER	0
4353	KLEPP STASJON	4033	STAVANGER	3	2213	KONGSVINGER	2200	KONGVINGER	0
4352	KLEPPE	4033	STAVANGER	3	2214	KONGSVINGER	2200	KONGVINGER	0
5300	KLEPPESTØ	5000	BERGEN	5	4525	KONSMO	4600	KRISTIANSAND	7
5301	KLEPPESTØ	5000	BERGEN	5	8752	KONSVIKOSEN	8600	MO I RANA	7
5308	KLEPPESTØ	5000	BERGEN	5	4250	KOPERVIK	5500	HAUGESUND	4
5309	KLEPPESTØ	5000	BERGEN	5	2480	KOPPANG	2300	HAMAR	7
8313	KLEPPSTAD	8371	SVOLVÆR	4	7533	KOPPERÅ	7000	TRONDHEIM	7
3490	KLOKKARSTUA	3000	DRAMMEN	6	8646	KORGEN	8600	MO I RANA	4
5378	KLOKKARVIK	5000	BERGEN	6	1796	KORNSJØ	1700	ØSTFOLD	7
7540	KLÆBU	7000	TRONDHEIM	4	9536	KORSFJORDEN	9510	ALTA	8
2040	KLØFTA	1000	OSLO	2	4586	KORSHAMN	4600	KRISTIANSAND	7
2130	KNAPPER	2200	KONGVINGER	4	6964	KORSSUND	6800	FØRDE	5
1823	KNAPSTAD	1000	OSLO	6	7212	KORSVEGEN	7000	TRONDHEIM	7
5355	KNARREVIK	5000	BERGEN	4	6455	KORTGARDEN	6401	MOLDE	5
7242	KNARRLAGSUND	7000	TRONDHEIM	8	3770	KRAGERØ	3200	STOKKE	7
3243	KODAL	3200	STOKKE	1	3772	KRAGERØ	3200	STOKKE	7
9715	KOKELV	9510	ALTA	8	3783	KRAGERØ SKJÆRGÅRD	3200	STOKKE	7
5257	KOKSTAD	5000	BERGEN	0	6926	KRAKHELLA	6800	FØRDE	6
5394	KOLBEINSVIK	5000	BERGEN	6	4608	KRISTIANSAND S	4600	KRISTIANSAND	0
4816	KOLBJØRNSVIK	4600	KRISTIANSAND	4	4610	KRISTIANSAND S	4600	KRISTIANSAND	0
1410	KOLBOTN	1000	OSLO	3	4611	KRISTIANSAND S	4600	KRISTIANSAND	0
2847	KOLBU	2300	HAMAR	4	4612	KRISTIANSAND S	4600	KRISTIANSAND	0
6928	KOLGROV	6800	FØRDE	6	4613	KRISTIANSAND S	4600	KRISTIANSAND	0
5360	KOLLTVEIT	5000	BERGEN	4	4614	KRISTIANSAND S	4600	KRISTIANSAND	0
4528	KOLLUNGTVET	4600	KRISTIANSAND	7	4615	KRISTIANSAND S	4600	KRISTIANSAND	0
5541	KOLNES	5500	HAUGESUND	3	4616	KRISTIANSAND S	4600	KRISTIANSAND	0
1352	KOLSÅS	1000	OSLO	3	4617	KRISTIANSAND S	4600	KRISTIANSAND	0
7970	KOLVEREID	7000	TRONDHEIM	8	4618	KRISTIANSAND S	4600	KRISTIANSAND	0
3610	KONGSBERG	3000	DRAMMEN	4	4620	KRISTIANSAND S	4600	KRISTIANSAND	0
3611	KONGSBERG	3000	DRAMMEN	4	4621	KRISTIANSAND S	4600	KRISTIANSAND	0
3612	KONGSBERG	3000	DRAMMEN	4	4622	KRISTIANSAND S	4600	KRISTIANSAND	0
3613	KONGSBERG	3000	DRAMMEN	4	4623	KRISTIANSAND S	4600	KRISTIANSAND	0

Postal codes that are not in use and postal codes that are PO boxes are not included in the list.  
Such postal codes are not valid as pickup or delivery addresses.

## ■ ■ Primary zone table, groupage and part loads

Postal Code	Location	Terminal Id	Terminal name	Zone	Postal Code	Location	Terminal Id	Terminal name	Zone
4624	KRISTIANSAND S	4600	KRISTIANSAND	0	9104	KVALØYA	9000	TROMSØ	4
4626	KRISTIANSAND S	4600	KRISTIANSAND	0	9105	KVALØYA	9000	TROMSØ	4
4628	KRISTIANSAND S	4600	KRISTIANSAND	0	9107	KVALØYA	9000	TROMSØ	8
4629	KRISTIANSAND S	4600	KRISTIANSAND	0	9108	KVALØYA	9000	TROMSØ	8
4630	KRISTIANSAND S	4600	KRISTIANSAND	0	9100	KVALØYSLETTA	9000	TROMSØ	4
4631	KRISTIANSAND S	4600	KRISTIANSAND	0	9101	KVALØYSLETTA	9000	TROMSØ	4
4632	KRISTIANSAND S	4600	KRISTIANSAND	0	9102	KVALØYSLETTA	9000	TROMSØ	4
4633	KRISTIANSAND S	4600	KRISTIANSAND	0	2642	KVAM	2670	OTTA	2
4634	KRISTIANSAND S	4600	KRISTIANSAND	0	6983	KVAMMEN	6800	FØRDE	7
4635	KRISTIANSAND S	4600	KRISTIANSAND	0	6087	KVAMSØY	6000	ÅLESUND	7
4636	KRISTIANSAND S	4600	KRISTIANSAND	0	6640	KVANNE	6401	MOLDE	5
4637	KRISTIANSAND S	4600	KRISTIANSAND	0	3282	KVELDE	3200	STOKKE	1
4638	KRISTIANSAND S	4600	KRISTIANSAND	0	7243	KVENVÆR	7000	TRONDHEIM	8
4639	KRISTIANSAND S	4600	KRISTIANSAND	0	4355	KVERNALAND	4033	STAVANGER	3
6507	KRISTIANSUND N	6401	MOLDE	1	7266	KVERVA	7000	TRONDHEIM	8
6508	KRISTIANSUND N	6401	MOLDE	1	9519	KVIBY	9510	ALTA	4
6509	KRISTIANSUND N	6401	MOLDE	1	2512	KVIKNE	2300	HAMAR	8
6510	KRISTIANSUND N	6401	MOLDE	1	4480	KVINESDAL	4033	STAVANGER	6
6511	KRISTIANSUND N	6401	MOLDE	1	4473	KVINLOG	4033	STAVANGER	8
6512	KRISTIANSUND N	6401	MOLDE	1	6674	KVISVIK	6401	MOLDE	5
6514	KRISTIANSUND N	6401	MOLDE	1	3850	KVITSEID	3200	STOKKE	8
6515	KRISTIANSUND N	6401	MOLDE	1	8413	KVITNES	8403	SORTLAND	4
6516	KRISTIANSUND N	6401	MOLDE	1	4180	KVITSØY	4033	STAVANGER	7
6517	KRISTIANSUND N	6401	MOLDE	1	7228	KVÅL	7000	TRONDHEIM	7
6518	KRISTIANSUND N	6401	MOLDE	1	4588	KVÅS	4600	KRISTIANSAND	7
9022	KROKELVDALEN	9000	TROMSØ	3	6995	KYRKJEBØ	6800	FØRDE	6
9023	KROKELVDALEN	9000	TROMSØ	3	7200	KYRKSÆTERØRA	7000	TRONDHEIM	7
3531	KROKKLEIVA	3000	DRAMMEN	4	5626	KYSNESSTRAND	5000	BERGEN	8
3055	KROKSTADELVA	3000	DRAMMEN	3	9657	KÅRHAMN	9510	ALTA	8
3535	KRØDEREN	3000	DRAMMEN	5	9131	KÅRVIK	9000	TROMSØ	8
1671	KRÅKERØY	1700	ØSTFOLD	3	9700	LAKSELV	9510	ALTA	8
1672	KRÅKERØY	1700	ØSTFOLD	3	5160	LAKSEVÅG	5000	BERGEN	0
1673	KRÅKERØY	1700	ØSTFOLD	3	5161	LAKSEVÅG	5000	BERGEN	0
1675	KRÅKERØY	1700	ØSTFOLD	3	5162	LAKSEVÅG	5000	BERGEN	0
1676	KRÅKERØY	1700	ØSTFOLD	3	5163	LAKSEVÅG	5000	BERGEN	0
1678	KRÅKERØY	1700	ØSTFOLD	3	5164	LAKSEVÅG	5000	BERGEN	0
1679	KRÅKERØY	1700	ØSTFOLD	3	5165	LAKSEVÅG	5000	BERGEN	0
9453	KRÅKRØHAMN	8510	NARVIK	8	9042	LAKSVATN	9000	TROMSØ	6
1408	KRÅKSTAD	1000	OSLO	3	2682	LALM	2670	OTTA	2
7152	KRÅKVÅG	7000	TRONDHEIM	8	3623	LAMPELAND	3000	DRAMMEN	6
9742	KUNES	9510	ALTA	8	8098	LANDEGODE	8000	FAUSKE	5
1479	KURLAND	1000	OSLO	0	2861	LANDÅSBYGDA	2300	HAMAR	5
4264	KVALAVÅG	5500	HAUGESUND	4	3947	LANGANGEN	3200	STOKKE	2
9531	KVALFJORD	9510	ALTA	8	3970	LANGESUND	3200	STOKKE	2
9620	KVALSUND	9510	ALTA	8	6030	LANGEVÅG	6000	ÅLESUND	2
9103	KVALØYA	9000	TROMSØ	8	9545	LANGFJORBOTN	9510	ALTA	8

Postal codes that are not in use and postal codes that are PO boxes are not included in the list.  
Such postal codes are not valid as pickup or delivery addresses.

## ■ ■ Primary zone table, groupage and part loads

Postal Code	Location	Terminal Id	Terminal name	Zone	Postal Code	Location	Terminal Id	Terminal name	Zone
9583	LANGFJORDHAMN	9510	ALTA	8	2668	LESJASKOG	2670	OTTA	6
9772	LANGFJORDNES	9846	TANA	8	2667	LESJAVERK	2670	OTTA	6
1405	LANGHUS	1000	OSLO	3	6698	LESUND	6401	MOLDE	5
9651	LANGSTRAND	9510	ALTA	8	7600	LEVANGER	7000	TRONDHEIM	6
1560	LARKOLLEN	1700	ØSTFOLD	3	7602	LEVANGER	7000	TRONDHEIM	6
6084	LARSNES	6000	ÅLESUND	5	7603	LEVANGER	7000	TRONDHEIM	6
3256	LARVIK	3200	STOKKE	1	7604	LEVANGER	7000	TRONDHEIM	6
3257	LARVIK	3200	STOKKE	1	7605	LEVANGER	7000	TRONDHEIM	6
3258	LARVIK	3200	STOKKE	1	7606	LEVANGER	7000	TRONDHEIM	6
3259	LARVIK	3200	STOKKE	1	7607	LEVANGER	7000	TRONDHEIM	6
3260	LARVIK	3200	STOKKE	1	7608	LEVANGER	7000	TRONDHEIM	6
3261	LARVIK	3200	STOKKE	1	7609	LEVANGER	7000	TRONDHEIM	6
3262	LARVIK	3200	STOKKE	1	6212	LIABYGDA	6000	ÅLESUND	5
3263	LARVIK	3200	STOKKE	1	3400	LIER	3000	DRAMMEN	2
3264	LARVIK	3200	STOKKE	1	3402	LIER	3000	DRAMMEN	2
3265	LARVIK	3200	STOKKE	1	3403	LIER	3000	DRAMMEN	2
3267	LARVIK	3200	STOKKE	1	3404	LIER	3000	DRAMMEN	2
3268	LARVIK	3200	STOKKE	1	3405	LIER	3000	DRAMMEN	2
3269	LARVIK	3200	STOKKE	1	3413	LIER	3000	DRAMMEN	2
3270	LARVIK	3200	STOKKE	1	3420	LIERSKOGEN	3000	DRAMMEN	2
3271	LARVIK	3200	STOKKE	1	3414	LIERSTRANDA	3000	DRAMMEN	0
3274	LARVIK	3200	STOKKE	1	8534	LILAND	8510	NARVIK	6
9194	LAUKSLETTA	9000	TROMSØ	8	2608	LILLEHAMMER	2300	HAMAR	3
8315	LAUKVIK	8371	SVOLVÆR	5	2609	LILLEHAMMER	2300	HAMAR	3
8316	LAUPSTAD	8371	SVOLVÆR	5	2611	LILLEHAMMER	2300	HAMAR	3
6133	LAUVSTAD	6000	ÅLESUND	7	2613	LILLEHAMMER	2300	HAMAR	3
6947	LAVIK	6800	FØRDE	4	2614	LILLEHAMMER	2300	HAMAR	3
9740	LEBESBY	9846	TANA	8	2615	LILLEHAMMER	2300	HAMAR	3
6863	LEIKANGER	6800	FØRDE	3	2618	LILLEHAMMER	2300	HAMAR	3
8285	LEINES	8000	FAUSKE	8	2619	LILLEHAMMER	2300	HAMAR	3
8283	LEINESFJORD	8000	FAUSKE	8	2624	LILLEHAMMER	2300	HAMAR	3
7083	LEINSTRAND	7000	TRONDHEIM	4	4790	LILLESAND	4600	KRISTIANSAND	3
6094	LEINØY	6000	ÅLESUND	5	2000	LILLESTRØM	1000	OSLO	2
2920	LEIRA I VALDRES	2300	HAMAR	4	2003	LILLESTRØM	1000	OSLO	2
8890	LEIRFJORD	8800	SANDNESSJØEN	8	2004	LILLESTRØM	1000	OSLO	2
2015	LEIRSUND	1000	OSLO	2	7898	LIMINGEN	7000	TRONDHEIM	8
6953	LEIRVIK I SOGN	6800	FØRDE	4	4520	LINDESNES	4600	KRISTIANSAND	7
7994	LEKA	7000	TRONDHEIM	8	4521	LINDESNES	4600	KRISTIANSAND	7
8370	LEKNES	8371	SVOLVÆR	0	5955	LINDÅS	5000	BERGEN	8
7156	LEKSA	7000	TRONDHEIM	8	7176	LINESØYA	7000	TRONDHEIM	8
7120	LEKSVIK	7000	TRONDHEIM	7	2616	LISMARKA	2300	HAMAR	5
2850	LENA	2300	HAMAR	4	5388	LITLAKALSØY	5000	BERGEN	8
7316	LENSVIK	7000	TRONDHEIM	7	2425	LJØRDALEN	2300	HAMAR	8
5216	LEPSØY	5000	BERGEN	5	5171	LODDEFJORD	5000	BERGEN	0
7234	LER	7000	TRONDHEIM	4	5172	LODDEFJORD	5000	BERGEN	0
2665	LESJA	2670	OTTA	6	5173	LODDEFJORD	5000	BERGEN	0

Postal codes that are not in use and postal codes that are PO boxes are not included in the list.  
Such postal codes are not valid as pickup or delivery addresses.

## ■ ■ Primary zone table, groupage and part loads

Postal Code	Location	Terminal Id	Terminal name	Zone	Postal Code	Location	Terminal Id	Terminal name	Zone
5176	LODDEFJORD	5000	BERGEN	0	2240	MAGNOR	2200	KONGVINGER	3
5178	LODDEFJORD	5000	BERGEN	0	7790	MALM	7000	TRONDHEIM	8
6789	LOEN	6880	STRYN	2	6445	MALMEFJORDEN	6401	MOLDE	4
5781	LOFTHUS	5000	BERGEN	8	7563	MALVIK	7000	TRONDHEIM	3
2686	LOM	2670	OTTA	3	4513	MANDAL	4600	KRISTIANSAND	3
2967	LOMEN	2300	HAMAR	6	4514	MANDAL	4600	KRISTIANSAND	3
1350	LOMMEDALEN	1000	OSLO	3	4515	MANDAL	4600	KRISTIANSAND	3
5282	LONEVÅG	5000	BERGEN	5	4516	MANDAL	4600	KRISTIANSAND	3
6293	LONGVA	6000	ÅLESUND	5	4517	MANDAL	4600	KRISTIANSAND	3
9170	LONGYEARBYEN	9000	TROMSØ	0	5936	MANGER	5000	BERGEN	6
8447	LONKAN	8403	SORTLAND	6	1626	MANSTAD	1700	ØSTFOLD	4
9586	LOPPA	9510	ALTA	8	6873	MARIFJØRA	6800	FØRDE	3
2666	LORA	2670	OTTA	6	7622	MARKABYGDA	7000	TRONDHEIM	7
6778	LOTE	6880	STRYN	4	5596	MARKHUS	5500	HAUGESUND	7
8764	LOVUND	8600	MO I RANA	8	4534	MARNARDAL	4600	KRISTIANSAND	7
7818	LUND	7000	TRONDHEIM	8	5981	MASFJORDNES	5000	BERGEN	8
7232	LUNDAMO	7000	TRONDHEIM	4	5174	MATHOPEN	5000	BERGEN	0
3825	LUNDE	3200	STOKKE	6	2235	MATRAN	2200	KONGVINGER	3
5690	LUNDEGREND	5000	BERGEN	6	5498	MATRE	5500	HAUGESUND	8
9420	LUNDENES	9400	HARSTAD	5	5984	MATREDAL	5000	BERGEN	8
2218	LUNDERSÆTER	2200	KONGVINGER	4	2032	MAURA	1000	OSLO	6
2730	LUNNER	1000	OSLO	6	5476	MAURANGER	5500	HAUGESUND	8
8766	LURØY	8600	MO I RANA	8	6036	MAUSEIDVÅG	6000	ÅLESUND	2
6872	LUSTER	6800	FØRDE	4	7284	MAUSUND	7000	TRONDHEIM	8
4347	LYE	4033	STAVANGER	3	9525	MAZE	9510	ALTA	8
4580	LYNGDAL	4600	KRISTIANSAND	4	9770	MEHAMN	9846	TANA	8
3624	LYNGDAL I NUMEDAL	3000	DRAMMEN	6	6628	MEISINGSET	6401	MOLDE	6
9060	LYNGSEIDET	9000	TROMSØ	7	9055	MEISTERVIK	9000	TROMSØ	7
6493	LYNGSTAD	6401	MOLDE	4	7250	MELANDSJØ	7000	TRONDHEIM	8
4910	LYNGØR	4600	KRISTIANSAND	6	8445	MELBU	8403	SORTLAND	5
1366	LYSAKER	1000	OSLO	3	7336	MELDAL	7000	TRONDHEIM	6
4127	LYSEBOTN	4033	STAVANGER	8	8182	MELFJORDBOTN	8000	FAUSKE	8
5215	LYSEKLOSTER	5000	BERGEN	5	7224	MELHUS	7000	TRONDHEIM	4
7168	LYSØYSUNDET	7000	TRONDHEIM	8	3159	MELSOMVIK	3200	STOKKE	1
6887	LÆRDAL	6800	FØRDE	3	8157	MELØY	8000	FAUSKE	8
8410	LØDINGEN	8510	NARVIK	7	9427	MELØYVÆR	9400	HARSTAD	8
5474	LØFALLSTRAND	5500	HAUGESUND	8	7530	MERÅKER	7000	TRONDHEIM	7
1960	LØKEN	1000	OSLO	6	2610	MESNALI	2300	HAMAR	6
7332	LØKKEN VERK	7000	TRONDHEIM	5	6475	MIDSUND	6401	MOLDE	5
8813	LØKTA	8800	SANDNESSJØEN	6	3658	MILAND	3000	DRAMMEN	7
7342	LØNSE	7000	TRONDHEIM	8	2092	MINNESUND	1000	OSLO	6
1470	LØRENSKOG	1000	OSLO	0	5366	MISJE	5000	BERGEN	7
1473	LØRENSKOG	1000	OSLO	0	8100	MISVÆR	8000	FAUSKE	6
1474	LØRENSKOG	1000	OSLO	0	6363	MITTET	6401	MOLDE	6
2340	LØTEN	2300	HAMAR	2	6693	MJOSUNDET	6401	MOLDE	5
2006	LØVENSTAD	1000	OSLO	2	5136	MJØLKERÅEN	5000	BERGEN	0

Postal codes that are not in use and postal codes that are PO boxes are not included in the list.  
Such postal codes are not valid as pickup or delivery addresses.



## ■ ■ Primary zone table, groupage and part loads

Postal Code	Location	Terminal Id	Terminal name	Zone	Postal Code	Location	Terminal Id	Terminal name	Zone
5137	MJØLKERÅEN	5000	BERGEN	0	8661	MOSJØEN	8600	MO I RANA	4
9141	MJØLVIK	9000	TROMSØ	8	8663	MOSJØEN	8600	MO I RANA	4
5978	MJØMNA	5000	BERGEN	8	8664	MOSJØEN	8600	MO I RANA	4
3050	MJØNDALEN	3000	DRAMMEN	3	8665	MOSJØEN	8600	MO I RANA	4
4828	MJÁVATN	4600	KRISTIANSAND	8	8666	MOSJØEN	8600	MO I RANA	4
8610	MO I RANA	8600	MO I RANA	0	1511	MOSS	1700	ØSTFOLD	0
8613	MO I RANA	8600	MO I RANA	0	1512	MOSS	1700	ØSTFOLD	0
8614	MO I RANA	8600	MO I RANA	0	1513	MOSS	1700	ØSTFOLD	0
8616	MO I RANA	8600	MO I RANA	0	1514	MOSS	1700	ØSTFOLD	0
8618	MO I RANA	8600	MO I RANA	0	1515	MOSS	1700	ØSTFOLD	0
8622	MO I RANA	8600	MO I RANA	0	1516	MOSS	1700	ØSTFOLD	0
8624	MO I RANA	8600	MO I RANA	0	1517	MOSS	1700	ØSTFOLD	0
8626	MO I RANA	8600	MO I RANA	0	1518	MOSS	1700	ØSTFOLD	0
5729	MODALEN	5000	BERGEN	8	1519	MOSS	1700	ØSTFOLD	0
2390	MOELV	2300	HAMAR	3	1523	MOSS	1700	ØSTFOLD	0
9321	MOEN	8510	NARVIK	6	1524	MOSS	1700	ØSTFOLD	0
2054	MOGREINA	1000	OSLO	6	1525	MOSS	1700	ØSTFOLD	0
4460	MOI	4033	STAVANGER	7	1526	MOSS	1700	ØSTFOLD	0
6400	MOLDE	6401	MOLDE	0	1528	MOSS	1700	ØSTFOLD	0
6409	MOLDE	6401	MOLDE	0	1529	MOSS	1700	ØSTFOLD	0
6410	MOLDE	6401	MOLDE	0	1530	MOSS	1700	ØSTFOLD	0
6411	MOLDE	6401	MOLDE	0	1531	MOSS	1700	ØSTFOLD	0
6412	MOLDE	6401	MOLDE	0	1532	MOSS	1700	ØSTFOLD	0
6413	MOLDE	6401	MOLDE	0	1533	MOSS	1700	ØSTFOLD	0
6414	MOLDE	6401	MOLDE	0	1534	MOSS	1700	ØSTFOLD	0
6415	MOLDE	6401	MOLDE	0	1535	MOSS	1700	ØSTFOLD	0
6416	MOLDE	6401	MOLDE	0	1536	MOSS	1700	ØSTFOLD	0
6419	MOLDE	6401	MOLDE	0	1537	MOSS	1700	ØSTFOLD	0
6421	MOLDE	6401	MOLDE	0	1538	MOSS	1700	ØSTFOLD	0
6422	MOLDE	6401	MOLDE	0	1539	MOSS	1700	ØSTFOLD	0
6423	MOLDE	6401	MOLDE	8	1596	MOSS	1700	ØSTFOLD	0
6425	MOLDE	6401	MOLDE	0	1597	MOSS	1700	ØSTFOLD	0
6429	MOLDE	6401	MOLDE	0	1598	MOSS	1700	ØSTFOLD	0
8110	MOLDJORD	8000	FAUSKE	6	1599	MOSS	1700	ØSTFOLD	0
6076	MOLTUSTRANDA	6000	ÅLESUND	4	5440	MOSTERHAMN	5500	HAUGESUND	7
5954	MONGSTAD	5000	BERGEN	5	4156	MOSTERØY	4033	STAVANGER	6
3848	MORGEDAL	3200	STOKKE	8	7690	MOSVIK	7000	TRONDHEIM	8
9056	MORTENHALS	9000	TROMSØ	7	8274	MUSKEN	8000	FAUSKE	8
5122	MORVIK	5000	BERGEN	0	8181	MYKEN	8000	FAUSKE	8
5124	MORVIK	5000	BERGEN	0	5957	MYKING	5000	BERGEN	6
4619	MOSBY	4600	KRISTIANSAND	1	4832	MYKLAND	4600	KRISTIANSAND	8
8656	MOSJØEN	8600	MO I RANA	4	6488	MYKLEBOST	6401	MOLDE	7
8657	MOSJØEN	8600	MO I RANA	4	9443	MYKLEBOSTAD	8510	NARVIK	8
8658	MOSJØEN	8600	MO I RANA	4	5718	MYRDAL	5000	BERGEN	8
8659	MOSJØEN	8600	MO I RANA	4	8430	MYRE	8403	SORTLAND	5
8660	MOSJØEN	8600	MO I RANA	4	8326	MYRLAND	8371	SVOLVÆR	4

Postal codes that are not in use and postal codes that are PO boxes are not included in the list.  
Such postal codes are not valid as pickup or delivery addresses.

## ■ ■ Primary zone table, groupage and part loads

Postal Code	Location	Terminal Id	Terminal name	Zone	Postal Code	Location	Terminal Id	Terminal name	Zone
1850	MYSEN	1000	OSLO	6	1456	NESODDTANGEN	1000	OSLO	6
1852	MYSEN	1000	OSLO	6	5221	NESTTUN	5000	BERGEN	0
2674	MYSUSÆTER	2670	OTTA	3	5222	NESTTUN	5000	BERGEN	0
5387	MØKSTER	5000	BERGEN	8	5223	NESTTUN	5000	BERGEN	0
8266	MØRSVIKBOTN	8000	FAUSKE	8	5224	NESTTUN	5000	BERGEN	0
6700	MÅLØY	6700	MÅLØY	4	5225	NESTTUN	5000	BERGEN	0
6386	MÅNDALEN	6401	MOLDE	4	5226	NESTTUN	5000	BERGEN	0
9692	MÅSØY	9510	ALTA	8	5227	NESTTUN	5000	BERGEN	0
7750	NAMDALSEID	7000	TRONDHEIM	8	5228	NESTTUN	5000	BERGEN	0
2265	NAMNÅ	2200	KONGVINGER	4	1397	NESØYA	1000	OSLO	3
7800	NAMSOS	7000	TRONDHEIM	8	8149	NEVERDAL	8000	FAUSKE	8
7802	NAMSOS	7000	TRONDHEIM	8	8273	NEVERVIK	8000	FAUSKE	8
7803	NAMSOS	7000	TRONDHEIM	8	3296	NEVLUNGHAVN	3200	STOKKE	1
7804	NAMSOS	7000	TRONDHEIM	8	9193	NIKKEBY	9000	TROMSØ	8
7805	NAMSOS	7000	TRONDHEIM	8	3854	NISSEDAL	3200	STOKKE	8
7810	NAMSOS	7000	TRONDHEIM	8	1482	NITTEDAL	1000	OSLO	4
7890	NAMSSKOGAN	7000	TRONDHEIM	8	4645	NODELAND	4600	KRISTIANSAND	3
2030	NANNESTAD	1000	OSLO	6	6196	NORANGSFJORDEN	6000	ÅLESUND	8
8382	NAPP	8371	SVOLVÆR	3	3820	NORDAGUTU	3200	STOKKE	7
8514	NARVIK	8510	NARVIK	0	8136	NORDARNØY	8000	FAUSKE	5
8515	NARVIK	8510	NARVIK	0	2693	NORDBERG	2670	OTTA	6
8516	NARVIK	8510	NARVIK	0	2009	NORDBY	1000	OSLO	2
8517	NARVIK	8510	NARVIK	0	6214	NORDDAL	6000	ÅLESUND	7
7990	NAUSTBUKTA	7000	TRONDHEIM	8	7273	NORDDYRØY	7000	TRONDHEIM	8
6817	NAUSTDAL	6800	FØRDE	3	6770	NORDFJORDEID	6880	STRYN	3
4823	NEDENES	4600	KRISTIANSAND	4	6773	NORDFJORDEID	6880	STRYN	3
1692	NEDGÅRDEN	1700	ØSTFOLD	7	6774	NORDFJORDEID	6880	STRYN	3
3358	NEDRE EGGEDAL	3000	DRAMMEN	6	8286	NORDFOLD	8000	FAUSKE	8
2677	NEDRE HEIDAL	2670	OTTA	4	4173	NORD-HIDLE	4033	STAVANGER	7
5578	NEDRE VATS	5500	HAUGESUND	4	9764	NORDKAPP	9510	ALTA	8
5560	NEDSTRAND	5500	HAUGESUND	7	2055	NORDKISA	1000	OSLO	6
9930	NEIDEN	9846	TANA	6	9040	NORDKJOSBOTN	9000	TROMSØ	6
4863	NELAUG	4600	KRISTIANSAND	6	9068	NORD-LENANGEN	9000	TROMSØ	8
6098	NERLANDSØY	6000	ÅLESUND	5	7882	NORDLI	7000	TRONDHEIM	8
9773	NERVEI	9846	TANA	8	8489	NORDMELA	8403	SORTLAND	4
3524	NES I ÅDAL	3000	DRAMMEN	6	8198	NORDNESØY	8000	FAUSKE	8
2350	NES PÅ HEDMARKEN	2300	HAMAR	3	1455	NORDRE FROGN	1000	OSLO	6
4934	NES VERK	4600	KRISTIANSAND	6	9609	NORDRE SEILAND	9510	ALTA	8
1394	NESBRU	1000	OSLO	3	2820	NORDRE TOTEN	2300	HAMAR	4
3540	NESBYEN	3550	GOL	3	8740	NORD-SOLVÆR	8600	MO I RANA	8
4244	NESFLATEN	5500	HAUGESUND	8	7777	NORD-STATLAND	7000	TRONDHEIM	8
3760	NESLANDSVATN	3200	STOKKE	8	5218	NORDSTRØNO	5000	BERGEN	5
8700	NESNA	8600	MO I RANA	6	2880	NORD-TORPA	2300	HAMAR	8
1459	NESODDEN	1000	OSLO	6	5646	NORDTVEITGREND	5000	BERGEN	7
1450	NESODDTANGEN	1000	OSLO	6	8188	NORDVERNES	8000	FAUSKE	8
1452	NESODDTANGEN	1000	OSLO	6	9760	NORDVÅGEN	9510	ALTA	8

Postal codes that are not in use and postal codes that are PO boxes are not included in the list.  
Such postal codes are not valid as pickup or delivery addresses.

## ■ ■ Primary zone table, groupage and part loads

Postal Code	Location	Terminal Id	Terminal name	Zone	Postal Code	Location	Terminal Id	Terminal name	Zone
3629	NORE	3000	DRAMMEN	7	1415	OPPEGÅRD	1000	OSLO	3
3536	NORESUND	3550	GOL	4	7140	OPPHAUG	7000	TRONDHEIM	8
5600	NORHEIMSUND	5000	BERGEN	6	7745	OPPLAND	7000	TRONDHEIM	8
3674	NOTODDEN	3000	DRAMMEN	4	6799	OPPSTRYN	6880	STRYN	4
3675	NOTODDEN	3000	DRAMMEN	4	7300	ORKANGER	7000	TRONDHEIM	4
3676	NOTODDEN	3000	DRAMMEN	4	6870	ORNES	6800	FØRDE	7
3677	NOTODDEN	3000	DRAMMEN	4	4343	ORRE	4033	STAVANGER	5
3678	NOTODDEN	3000	DRAMMEN	4	6486	ORTEN	6401	MOLDE	8
3679	NOTODDEN	3000	DRAMMEN	4	5200	OS	5000	BERGEN	4
3680	NOTODDEN	3000	DRAMMEN	4	5208	OS	5000	BERGEN	4
3681	NOTODDEN	3000	DRAMMEN	4	5209	OS	5000	BERGEN	4
3683	NOTODDEN	3000	DRAMMEN	4	5210	OS	5000	BERGEN	4
3684	NOTODDEN	3000	DRAMMEN	4	5211	OS	5000	BERGEN	4
9582	NUVSVÅG	9510	ALTA	8	2550	OS I ØSTERDALEN	2300	HAMAR	8
2422	NYBERGSUND	2300	HAMAR	6	2460	OSEN	2300	HAMAR	6
5130	NYBORG	5000	BERGEN	0	0010	OSLO	1000	OSLO	0
5131	NYBORG	5000	BERGEN	0	0015	OSLO	1000	OSLO	0
5132	NYBORG	5000	BERGEN	0	0018	OSLO	1000	OSLO	0
8120	NYGÅRDSJØEN	8000	FAUSKE	4	0026	OSLO	1000	OSLO	0
3180	NYKIRKE	3200	STOKKE	1	0037	OSLO	1000	OSLO	0
9173	NY-ÅLESUND	9000	TROMSØ	0	0040	OSLO	1000	OSLO	0
4365	NÆRBØ	4033	STAVANGER	5	0045	OSLO	1000	OSLO	0
2364	NÆROSET	2300	HAMAR	3	0046	OSLO	1000	OSLO	0
3478	NÆRSNES	3000	DRAMMEN	6	0047	OSLO	1000	OSLO	0
8488	NØSS	8403	SORTLAND	4	0050	OSLO	1000	OSLO	0
3120	NØTTERØY	3200	STOKKE	2	0060	OSLO	1000	OSLO	0
3121	NØTTERØY	3200	STOKKE	2	0081	OSLO	1000	OSLO	0
3128	NØTTERØY	3200	STOKKE	2	0139	OSLO	1000	OSLO	0
3140	NØTTERØY	3200	STOKKE	1	0150	OSLO	1000	OSLO	0
5776	NÅ	5000	BERGEN	8	0151	OSLO	1000	OSLO	0
5750	ODDA	5000	BERGEN	8	0152	OSLO	1000	OSLO	0
2879	ODNES	2300	HAMAR	6	0153	OSLO	1000	OSLO	0
7165	OKSVOLL	7000	TRONDHEIM	8	0154	OSLO	1000	OSLO	0
6791	OLDEDALEN	6880	STRYN	4	0155	OSLO	1000	OSLO	0
6788	OLDEN	6880	STRYN	3	0157	OSLO	1000	OSLO	0
9146	OLDERDALEN	9000	TROMSØ	8	0158	OSLO	1000	OSLO	0
9034	OLDERVIK	9000	TROMSØ	8	0159	OSLO	1000	OSLO	0
5183	OLSVIK	5000	BERGEN	0	0160	OSLO	1000	OSLO	0
5184	OLSVIK	5000	BERGEN	0	0161	OSLO	1000	OSLO	0
4333	OLTEDAL	4033	STAVANGER	6	0162	OSLO	1000	OSLO	0
5632	OMASTRAND	5000	BERGEN	7	0164	OSLO	1000	OSLO	0
4187	OMBO	4033	STAVANGER	7	0165	OSLO	1000	OSLO	0
6483	ONA	6401	MOLDE	8	0166	OSLO	1000	OSLO	0
5694	ONARHEIM	5000	BERGEN	6	0167	OSLO	1000	OSLO	0
2166	OPPAKER	1000	OSLO	6	0168	OSLO	1000	OSLO	0
7340	OPPDAL	7000	TRONDHEIM	6	0169	OSLO	1000	OSLO	0

Postal codes that are not in use and postal codes that are PO boxes are not included in the list.  
Such postal codes are not valid as pickup or delivery addresses.

## ■ ■ Primary zone table, groupage and part loads

Postal Code	Location	Terminal Id	Terminal name	Zone	Postal Code	Location	Terminal Id	Terminal name	Zone
0170	OSLO	1000	OSLO	0	0271	OSLO	1000	OSLO	0
0171	OSLO	1000	OSLO	0	0272	OSLO	1000	OSLO	0
0172	OSLO	1000	OSLO	0	0273	OSLO	1000	OSLO	0
0173	OSLO	1000	OSLO	0	0274	OSLO	1000	OSLO	0
0174	OSLO	1000	OSLO	0	0275	OSLO	1000	OSLO	0
0175	OSLO	1000	OSLO	0	0276	OSLO	1000	OSLO	0
0176	OSLO	1000	OSLO	0	0277	OSLO	1000	OSLO	0
0177	OSLO	1000	OSLO	0	0278	OSLO	1000	OSLO	0
0178	OSLO	1000	OSLO	0	0279	OSLO	1000	OSLO	0
0179	OSLO	1000	OSLO	0	0280	OSLO	1000	OSLO	0
0180	OSLO	1000	OSLO	0	0281	OSLO	1000	OSLO	0
0181	OSLO	1000	OSLO	0	0282	OSLO	1000	OSLO	0
0182	OSLO	1000	OSLO	0	0283	OSLO	1000	OSLO	0
0183	OSLO	1000	OSLO	0	0284	OSLO	1000	OSLO	0
0184	OSLO	1000	OSLO	0	0286	OSLO	1000	OSLO	0
0185	OSLO	1000	OSLO	0	0287	OSLO	1000	OSLO	0
0186	OSLO	1000	OSLO	0	0340	OSLO	1000	OSLO	0
0187	OSLO	1000	OSLO	0	0349	OSLO	1000	OSLO	0
0188	OSLO	1000	OSLO	0	0350	OSLO	1000	OSLO	0
0190	OSLO	1000	OSLO	0	0351	OSLO	1000	OSLO	0
0191	OSLO	1000	OSLO	0	0352	OSLO	1000	OSLO	0
0192	OSLO	1000	OSLO	0	0353	OSLO	1000	OSLO	0
0193	OSLO	1000	OSLO	0	0354	OSLO	1000	OSLO	0
0194	OSLO	1000	OSLO	0	0355	OSLO	1000	OSLO	0
0195	OSLO	1000	OSLO	0	0356	OSLO	1000	OSLO	0
0196	OSLO	1000	OSLO	0	0357	OSLO	1000	OSLO	0
0198	OSLO	1000	OSLO	0	0358	OSLO	1000	OSLO	0
0250	OSLO	1000	OSLO	0	0359	OSLO	1000	OSLO	0
0251	OSLO	1000	OSLO	0	0360	OSLO	1000	OSLO	0
0252	OSLO	1000	OSLO	0	0361	OSLO	1000	OSLO	0
0253	OSLO	1000	OSLO	0	0362	OSLO	1000	OSLO	0
0254	OSLO	1000	OSLO	0	0363	OSLO	1000	OSLO	0
0255	OSLO	1000	OSLO	0	0364	OSLO	1000	OSLO	0
0256	OSLO	1000	OSLO	0	0365	OSLO	1000	OSLO	0
0257	OSLO	1000	OSLO	0	0366	OSLO	1000	OSLO	0
0258	OSLO	1000	OSLO	0	0367	OSLO	1000	OSLO	0
0259	OSLO	1000	OSLO	0	0368	OSLO	1000	OSLO	0
0260	OSLO	1000	OSLO	0	0369	OSLO	1000	OSLO	0
0262	OSLO	1000	OSLO	0	0370	OSLO	1000	OSLO	0
0263	OSLO	1000	OSLO	0	0371	OSLO	1000	OSLO	0
0264	OSLO	1000	OSLO	0	0372	OSLO	1000	OSLO	0
0265	OSLO	1000	OSLO	0	0373	OSLO	1000	OSLO	0
0266	OSLO	1000	OSLO	0	0374	OSLO	1000	OSLO	0
0267	OSLO	1000	OSLO	0	0375	OSLO	1000	OSLO	0
0268	OSLO	1000	OSLO	0	0376	OSLO	1000	OSLO	0
0270	OSLO	1000	OSLO	0	0377	OSLO	1000	OSLO	0

Postal codes that are not in use and postal codes that are PO boxes are not included in the list.  
Such postal codes are not valid as pickup or delivery addresses.

■ ■ Primary zone table, groupage and part loads

Postal Code	Location	Terminal Id	Terminal name	Zone	Postal Code	Location	Terminal Id	Terminal name	Zone
0378	OSLO	1000	OSLO	0	0492	OSLO	1000	OSLO	0
0379	OSLO	1000	OSLO	0	0493	OSLO	1000	OSLO	0
0380	OSLO	1000	OSLO	0	0494	OSLO	1000	OSLO	0
0381	OSLO	1000	OSLO	0	0495	OSLO	1000	OSLO	0
0382	OSLO	1000	OSLO	0	0496	OSLO	1000	OSLO	0
0383	OSLO	1000	OSLO	0	0540	OSLO	1000	OSLO	0
0445	OSLO	1000	OSLO	0	0550	OSLO	1000	OSLO	0
0450	OSLO	1000	OSLO	0	0551	OSLO	1000	OSLO	0
0451	OSLO	1000	OSLO	0	0552	OSLO	1000	OSLO	0
0452	OSLO	1000	OSLO	0	0553	OSLO	1000	OSLO	0
0454	OSLO	1000	OSLO	0	0554	OSLO	1000	OSLO	0
0455	OSLO	1000	OSLO	0	0555	OSLO	1000	OSLO	0
0456	OSLO	1000	OSLO	0	0556	OSLO	1000	OSLO	0
0457	OSLO	1000	OSLO	0	0557	OSLO	1000	OSLO	0
0458	OSLO	1000	OSLO	0	0558	OSLO	1000	OSLO	0
0459	OSLO	1000	OSLO	0	0559	OSLO	1000	OSLO	0
0460	OSLO	1000	OSLO	0	0560	OSLO	1000	OSLO	0
0461	OSLO	1000	OSLO	0	0561	OSLO	1000	OSLO	0
0462	OSLO	1000	OSLO	0	0562	OSLO	1000	OSLO	0
0463	OSLO	1000	OSLO	0	0563	OSLO	1000	OSLO	0
0464	OSLO	1000	OSLO	0	0564	OSLO	1000	OSLO	0
0465	OSLO	1000	OSLO	0	0565	OSLO	1000	OSLO	0
0467	OSLO	1000	OSLO	0	0566	OSLO	1000	OSLO	0
0468	OSLO	1000	OSLO	0	0567	OSLO	1000	OSLO	0
0469	OSLO	1000	OSLO	0	0568	OSLO	1000	OSLO	0
0470	OSLO	1000	OSLO	0	0569	OSLO	1000	OSLO	0
0472	OSLO	1000	OSLO	0	0570	OSLO	1000	OSLO	0
0473	OSLO	1000	OSLO	0	0571	OSLO	1000	OSLO	0
0474	OSLO	1000	OSLO	0	0572	OSLO	1000	OSLO	0
0475	OSLO	1000	OSLO	0	0573	OSLO	1000	OSLO	0
0476	OSLO	1000	OSLO	0	0574	OSLO	1000	OSLO	0
0477	OSLO	1000	OSLO	0	0575	OSLO	1000	OSLO	0
0478	OSLO	1000	OSLO	0	0576	OSLO	1000	OSLO	0
0479	OSLO	1000	OSLO	0	0577	OSLO	1000	OSLO	0
0480	OSLO	1000	OSLO	0	0578	OSLO	1000	OSLO	0
0481	OSLO	1000	OSLO	0	0579	OSLO	1000	OSLO	0
0482	OSLO	1000	OSLO	0	0580	OSLO	1000	OSLO	0
0483	OSLO	1000	OSLO	0	0581	OSLO	1000	OSLO	0
0484	OSLO	1000	OSLO	0	0582	OSLO	1000	OSLO	0
0485	OSLO	1000	OSLO	0	0583	OSLO	1000	OSLO	0
0486	OSLO	1000	OSLO	0	0584	OSLO	1000	OSLO	0
0487	OSLO	1000	OSLO	0	0585	OSLO	1000	OSLO	0
0488	OSLO	1000	OSLO	0	0586	OSLO	1000	OSLO	0
0489	OSLO	1000	OSLO	0	0587	OSLO	1000	OSLO	0
0490	OSLO	1000	OSLO	0	0588	OSLO	1000	OSLO	0
0491	OSLO	1000	OSLO	0	0589	OSLO	1000	OSLO	0

Postal codes that are not in use and postal codes that are PO boxes are not included in the list. Such postal codes are not valid as pickup or delivery addresses.

■ ■ Primary zone table, groupage and part loads

Postal Code	Location	Terminal Id	Terminal name	Zone	Postal Code	Location	Terminal Id	Terminal name	Zone
0590	OSLO	1000	OSLO	0	0687	OSLO	1000	OSLO	0
0591	OSLO	1000	OSLO	0	0688	OSLO	1000	OSLO	0
0592	OSLO	1000	OSLO	0	0689	OSLO	1000	OSLO	0
0593	OSLO	1000	OSLO	0	0690	OSLO	1000	OSLO	0
0594	OSLO	1000	OSLO	0	0691	OSLO	1000	OSLO	0
0595	OSLO	1000	OSLO	0	0692	OSLO	1000	OSLO	0
0596	OSLO	1000	OSLO	0	0693	OSLO	1000	OSLO	0
0597	OSLO	1000	OSLO	0	0694	OSLO	1000	OSLO	0
0598	OSLO	1000	OSLO	0	0750	OSLO	1000	OSLO	0
0650	OSLO	1000	OSLO	0	0751	OSLO	1000	OSLO	0
0651	OSLO	1000	OSLO	0	0752	OSLO	1000	OSLO	0
0652	OSLO	1000	OSLO	0	0753	OSLO	1000	OSLO	0
0653	OSLO	1000	OSLO	0	0754	OSLO	1000	OSLO	0
0654	OSLO	1000	OSLO	0	0755	OSLO	1000	OSLO	0
0655	OSLO	1000	OSLO	0	0756	OSLO	1000	OSLO	0
0656	OSLO	1000	OSLO	0	0757	OSLO	1000	OSLO	0
0657	OSLO	1000	OSLO	0	0758	OSLO	1000	OSLO	0
0658	OSLO	1000	OSLO	0	0760	OSLO	1000	OSLO	0
0659	OSLO	1000	OSLO	0	0763	OSLO	1000	OSLO	0
0660	OSLO	1000	OSLO	0	0764	OSLO	1000	OSLO	0
0661	OSLO	1000	OSLO	0	0765	OSLO	1000	OSLO	0
0662	OSLO	1000	OSLO	0	0766	OSLO	1000	OSLO	0
0663	OSLO	1000	OSLO	0	0767	OSLO	1000	OSLO	0
0664	OSLO	1000	OSLO	0	0768	OSLO	1000	OSLO	0
0665	OSLO	1000	OSLO	0	0770	OSLO	1000	OSLO	0
0666	OSLO	1000	OSLO	0	0771	OSLO	1000	OSLO	0
0667	OSLO	1000	OSLO	0	0772	OSLO	1000	OSLO	0
0668	OSLO	1000	OSLO	0	0773	OSLO	1000	OSLO	0
0669	OSLO	1000	OSLO	0	0774	OSLO	1000	OSLO	0
0670	OSLO	1000	OSLO	0	0775	OSLO	1000	OSLO	0
0671	OSLO	1000	OSLO	0	0776	OSLO	1000	OSLO	0
0672	OSLO	1000	OSLO	0	0777	OSLO	1000	OSLO	0
0673	OSLO	1000	OSLO	0	0778	OSLO	1000	OSLO	0
0674	OSLO	1000	OSLO	0	0779	OSLO	1000	OSLO	0
0675	OSLO	1000	OSLO	0	0781	OSLO	1000	OSLO	0
0676	OSLO	1000	OSLO	0	0782	OSLO	1000	OSLO	0
0677	OSLO	1000	OSLO	0	0783	OSLO	1000	OSLO	0
0678	OSLO	1000	OSLO	0	0784	OSLO	1000	OSLO	0
0679	OSLO	1000	OSLO	0	0785	OSLO	1000	OSLO	0
0680	OSLO	1000	OSLO	0	0786	OSLO	1000	OSLO	0
0681	OSLO	1000	OSLO	0	0787	OSLO	1000	OSLO	0
0682	OSLO	1000	OSLO	0	0788	OSLO	1000	OSLO	0
0683	OSLO	1000	OSLO	0	0789	OSLO	1000	OSLO	0
0684	OSLO	1000	OSLO	0	0790	OSLO	1000	OSLO	0
0685	OSLO	1000	OSLO	0	0791	OSLO	1000	OSLO	0
0686	OSLO	1000	OSLO	0	0850	OSLO	1000	OSLO	0

Postal codes that are not in use and postal codes that are PO boxes are not included in the list. Such postal codes are not valid as pickup or delivery addresses.

■ ■ Primary zone table, groupage and part loads

Postal Code	Location	Terminal Id	Terminal name	Zone	Postal Code	Location	Terminal Id	Terminal name	Zone
0851	OSLO	1000	OSLO	0	0972	OSLO	1000	OSLO	0
0852	OSLO	1000	OSLO	0	0973	OSLO	1000	OSLO	0
0853	OSLO	1000	OSLO	0	0975	OSLO	1000	OSLO	0
0854	OSLO	1000	OSLO	0	0976	OSLO	1000	OSLO	0
0855	OSLO	1000	OSLO	0	0977	OSLO	1000	OSLO	0
0856	OSLO	1000	OSLO	0	0978	OSLO	1000	OSLO	0
0857	OSLO	1000	OSLO	0	0979	OSLO	1000	OSLO	0
0858	OSLO	1000	OSLO	0	0980	OSLO	1000	OSLO	0
0860	OSLO	1000	OSLO	0	0981	OSLO	1000	OSLO	0
0861	OSLO	1000	OSLO	0	0982	OSLO	1000	OSLO	0
0862	OSLO	1000	OSLO	0	0983	OSLO	1000	OSLO	0
0863	OSLO	1000	OSLO	0	0984	OSLO	1000	OSLO	0
0864	OSLO	1000	OSLO	0	0985	OSLO	1000	OSLO	0
0870	OSLO	1000	OSLO	0	0986	OSLO	1000	OSLO	0
0871	OSLO	1000	OSLO	0	0987	OSLO	1000	OSLO	0
0872	OSLO	1000	OSLO	0	0988	OSLO	1000	OSLO	0
0873	OSLO	1000	OSLO	0	1000	OSLO	1000	OSLO	0
0874	OSLO	1000	OSLO	0	1051	OSLO	1000	OSLO	0
0875	OSLO	1000	OSLO	0	1052	OSLO	1000	OSLO	0
0876	OSLO	1000	OSLO	0	1053	OSLO	1000	OSLO	0
0877	OSLO	1000	OSLO	0	1054	OSLO	1000	OSLO	0
0880	OSLO	1000	OSLO	0	1055	OSLO	1000	OSLO	0
0881	OSLO	1000	OSLO	0	1056	OSLO	1000	OSLO	0
0882	OSLO	1000	OSLO	0	1061	OSLO	1000	OSLO	0
0883	OSLO	1000	OSLO	0	1062	OSLO	1000	OSLO	0
0884	OSLO	1000	OSLO	0	1063	OSLO	1000	OSLO	0
0890	OSLO	1000	OSLO	0	1064	OSLO	1000	OSLO	0
0891	OSLO	1000	OSLO	0	1065	OSLO	1000	OSLO	0
0950	OSLO	1000	OSLO	0	1067	OSLO	1000	OSLO	0
0951	OSLO	1000	OSLO	0	1068	OSLO	1000	OSLO	0
0952	OSLO	1000	OSLO	0	1069	OSLO	1000	OSLO	0
0953	OSLO	1000	OSLO	0	1071	OSLO	1000	OSLO	0
0954	OSLO	1000	OSLO	0	1081	OSLO	1000	OSLO	0
0955	OSLO	1000	OSLO	0	1083	OSLO	1000	OSLO	0
0956	OSLO	1000	OSLO	0	1084	OSLO	1000	OSLO	0
0957	OSLO	1000	OSLO	0	1086	OSLO	1000	OSLO	0
0958	OSLO	1000	OSLO	0	1087	OSLO	1000	OSLO	0
0959	OSLO	1000	OSLO	0	1088	OSLO	1000	OSLO	0
0960	OSLO	1000	OSLO	0	1089	OSLO	1000	OSLO	0
0962	OSLO	1000	OSLO	0	1150	OSLO	1000	OSLO	0
0963	OSLO	1000	OSLO	0	1151	OSLO	1000	OSLO	0
0964	OSLO	1000	OSLO	0	1152	OSLO	1000	OSLO	0
0968	OSLO	1000	OSLO	0	1153	OSLO	1000	OSLO	0
0969	OSLO	1000	OSLO	0	1154	OSLO	1000	OSLO	0
0970	OSLO	1000	OSLO	0	1155	OSLO	1000	OSLO	0
0971	OSLO	1000	OSLO	0	1156	OSLO	1000	OSLO	0

Postal codes that are not in use and postal codes that are PO boxes are not included in the list. Such postal codes are not valid as pickup or delivery addresses.

■ ■ Primary zone table, groupage and part loads

Postal Code	Location	Terminal Id	Terminal name	Zone	Postal Code	Location	Terminal Id	Terminal name	Zone
1157	OSLO	1000	OSLO	0	1281	OSLO	1000	OSLO	0
1158	OSLO	1000	OSLO	0	1283	OSLO	1000	OSLO	0
1160	OSLO	1000	OSLO	0	1284	OSLO	1000	OSLO	0
1161	OSLO	1000	OSLO	0	1285	OSLO	1000	OSLO	0
1162	OSLO	1000	OSLO	0	1286	OSLO	1000	OSLO	0
1163	OSLO	1000	OSLO	0	1290	OSLO	1000	OSLO	0
1164	OSLO	1000	OSLO	0	1291	OSLO	1000	OSLO	0
1165	OSLO	1000	OSLO	0	1294	OSLO	1000	OSLO	0
1166	OSLO	1000	OSLO	0	1295	OSLO	1000	OSLO	0
1167	OSLO	1000	OSLO	0	6638	OSMARKA	6401	MOLDE	4
1168	OSLO	1000	OSLO	0	5993	OSTEREIDET	5000	BERGEN	6
1169	OSLO	1000	OSLO	0	9046	OTEREN	9000	TROMSØ	7
1170	OSLO	1000	OSLO	0	2670	OTTA	2670	OTTA	0
1172	OSLO	1000	OSLO	0	1875	OTTEID	1000	OSLO	6
1176	OSLO	1000	OSLO	0	7940	OTTERSØY	7000	TRONDHEIM	8
1177	OSLO	1000	OSLO	0	2312	OTTESTAD	2300	HAMAR	3
1178	OSLO	1000	OSLO	0	7863	OVERHALLA	7000	TRONDHEIM	8
1179	OSLO	1000	OSLO	0	5230	PARADIS	5000	BERGEN	0
1181	OSLO	1000	OSLO	0	5231	PARADIS	5000	BERGEN	0
1182	OSLO	1000	OSLO	0	5232	PARADIS	5000	BERGEN	0
1184	OSLO	1000	OSLO	0	3648	PASSEBEKK	3000	DRAMMEN	4
1185	OSLO	1000	OSLO	0	2427	PLASSEN	2300	HAMAR	8
1187	OSLO	1000	OSLO	0	9709	PORSANGMOEN	9510	ALTA	8
1188	OSLO	1000	OSLO	0	3910	PORSGRUNN	3200	STOKKE	2
1189	OSLO	1000	OSLO	0	3911	PORSGRUNN	3200	STOKKE	2
1250	OSLO	1000	OSLO	0	3912	PORSGRUNN	3200	STOKKE	2
1251	OSLO	1000	OSLO	0	3913	PORSGRUNN	3200	STOKKE	2
1252	OSLO	1000	OSLO	0	3914	PORSGRUNN	3200	STOKKE	2
1253	OSLO	1000	OSLO	0	3915	PORSGRUNN	3200	STOKKE	2
1254	OSLO	1000	OSLO	0	3916	PORSGRUNN	3200	STOKKE	2
1255	OSLO	1000	OSLO	0	3917	PORSGRUNN	3200	STOKKE	2
1256	OSLO	1000	OSLO	0	3918	PORSGRUNN	3200	STOKKE	2
1257	OSLO	1000	OSLO	0	3919	PORSGRUNN	3200	STOKKE	2
1258	OSLO	1000	OSLO	0	3920	PORSGRUNN	3200	STOKKE	2
1259	OSLO	1000	OSLO	0	3921	PORSGRUNN	3200	STOKKE	2
1262	OSLO	1000	OSLO	0	3922	PORSGRUNN	3200	STOKKE	2
1263	OSLO	1000	OSLO	0	3924	PORSGRUNN	3200	STOKKE	2
1266	OSLO	1000	OSLO	0	3925	PORSGRUNN	3200	STOKKE	2
1270	OSLO	1000	OSLO	0	3928	PORSGRUNN	3200	STOKKE	2
1271	OSLO	1000	OSLO	0	3929	PORSGRUNN	3200	STOKKE	2
1272	OSLO	1000	OSLO	0	3930	PORSGRUNN	3200	STOKKE	2
1273	OSLO	1000	OSLO	0	3931	PORSGRUNN	3200	STOKKE	2
1274	OSLO	1000	OSLO	0	3933	PORSGRUNN	3200	STOKKE	2
1275	OSLO	1000	OSLO	0	3936	PORSGRUNN	3200	STOKKE	2
1278	OSLO	1000	OSLO	0	3937	PORSGRUNN	3200	STOKKE	2
1279	OSLO	1000	OSLO	0	3940	PORSGRUNN	3200	STOKKE	2

Postal codes that are not in use and postal codes that are PO boxes are not included in the list. Such postal codes are not valid as pickup or delivery addresses.

## ■ ■ Primary zone table, groupage and part loads

Postal Code	Location	Terminal Id	Terminal name	Zone	Postal Code	Location	Terminal Id	Terminal name	Zone
3941	PORSGRUNN	3200	STOKKE	2	7398	RENNEBU	7000	TRONDHEIM	6
3942	PORSGRUNN	3200	STOKKE	2	4150	RENNESØY	4033	STAVANGER	6
3943	PORSGRUNN	3200	STOKKE	2	9768	REPVÅG	9510	ALTA	8
3944	PORSGRUNN	3200	STOKKE	2	3174	REVETAL	3200	STOKKE	1
3946	PORSGRUNN	3200	STOKKE	2	7177	REVSNES	7000	TRONDHEIM	8
3948	PORSGRUNN	3200	STOKKE	2	9624	REVSNEHAMN	9510	ALTA	8
3949	PORSGRUNN	3200	STOKKE	2	2322	RIDABU	2300	HAMAR	3
3350	PRESTFOSS	3000	DRAMMEN	6	6657	RINDAL	6401	MOLDE	5
1890	RAKKESTAD	1700	ØSTFOLD	7	6658	RINDALSSKOGEN	6401	MOLDE	5
1894	RAKKESTAD	1700	ØSTFOLD	7	2630	RINGEBU	2670	OTTA	3
8380	RAMBERG	8371	SVOLVÆR	4	4834	RISDAL	4600	KRISTIANSAND	8
9027	RAMFJORBOTN	9000	TROMSØ	6	7100	RISSA	7000	TRONDHEIM	7
3175	RAMNES	3200	STOKKE	1	4950	RISØR	4600	KRISTIANSAND	6
9442	RAMSUND	8510	NARVIK	6	4956	RISØR	4600	KRISTIANSAND	6
4070	RANDABERG	4033	STAVANGER	3	4957	RISØR	4600	KRISTIANSAND	7
4071	RANDABERG	4033	STAVANGER	3	8484	RISØYHAMN	8403	SORTLAND	4
4072	RANDABERG	4033	STAVANGER	3	3660	RJUKAN	3000	DRAMMEN	7
4073	RANDABERG	4033	STAVANGER	3	2740	ROA	1000	OSLO	6
7053	RANHEIM	7000	TRONDHEIM	0	7180	ROAN	7000	TRONDHEIM	8
7054	RANHEIM	7000	TRONDHEIM	0	6915	ROGNALDSVÅG	6800	FØRDE	8
7055	RANHEIM	7000	TRONDHEIM	0	8250	ROGNAN	8000	FAUSKE	7
7056	RANHEIM	7000	TRONDHEIM	0	2943	ROGNE	2300	HAMAR	5
1476	RASTA	1000	OSLO	0	7295	ROGNES	7000	TRONDHEIM	7
6710	RAUDEBERG	6880	STRYN	5	3626	ROLLAG	3000	DRAMMEN	6
6462	RAUDSAND	6401	MOLDE	5	1661	ROLVSØY	1700	ØSTFOLD	0
2830	RAUFOSS	2300	HAMAR	3	1663	ROLVSØY	1700	ØSTFOLD	0
2833	RAUFOSS	2300	HAMAR	3	1664	ROLVSØY	1700	ØSTFOLD	0
2834	RAUFOSS	2300	HAMAR	3	1665	ROLVSØY	1700	ØSTFOLD	0
2835	RAUFOSS	2300	HAMAR	3	1666	ROLVSØY	1700	ØSTFOLD	0
3864	RAULAND	3200	STOKKE	8	1667	ROLVSØY	1700	ØSTFOLD	0
9140	REBBENES	9000	TROMSØ	8	2334	ROMEDAL	2300	HAMAR	2
8390	REINE	8371	SVOLVÆR	5	5337	RONG	5000	BERGEN	7
9184	REINFJORD	9000	TROMSØ	8	7623	RONGLAN	7000	TRONDHEIM	7
2933	REINLI	2300	HAMAR	5	5470	ROSENDAL	5500	HAUGESUND	8
2840	REINSVOLL	2300	HAMAR	5	9302	ROSSFJORDSTRAUMEN	8510	NARVIK	7
8146	REIPÅ	8000	FAUSKE	8	5917	ROSSLAND	5000	BERGEN	6
3425	REISTAD	3000	DRAMMEN	2	9153	ROTSUND	9000	TROMSØ	8
6395	REKDAL	6401	MOLDE	6	6141	ROVDE	6000	ÅLESUND	7
5683	REKSTEREN	5000	BERGEN	8	2216	ROVERUD	2200	KONGVINGER	3
2450	RENA	2300	HAMAR	5	5420	RUBBESTADNESET	5500	HAUGESUND	5
2484	RENDALEN	2300	HAMAR	8	1351	RUD	1000	OSLO	3
2485	RENDALEN	2300	HAMAR	8	2360	RUDSHØGDA	2300	HAMAR	2
7391	RENNEBU	7000	TRONDHEIM	6	6734	RUGSUND	6800	FØRDE	7
7392	RENNEBU	7000	TRONDHEIM	6	6096	RUNDE	6000	ÅLESUND	7
7393	RENNEBU	7000	TRONDHEIM	6	9336	RUNDHAUG	8510	NARVIK	7
7397	RENNEBU	7000	TRONDHEIM	6	9713	RUSSENE	9510	ALTA	8

Postal codes that are not in use and postal codes that are PO boxes are not included in the list.  
Such postal codes are not valid as pickup or delivery addresses.

## ■ ■ Primary zone table, groupage and part loads

Postal Code	Location	Terminal Id	Terminal name	Zone	Postal Code	Location	Terminal Id	Terminal name	Zone
2973	RYFOSS	2300	HAMAR	6	3070	SANDE I VESTFOLD	3000	DRAMMEN	3
1580	RYGGE	1700	ØSTFOLD	3	3072	SANDE I VESTFOLD	3000	DRAMMEN	3
4821	RYKENE	4600	KRISTIANSAND	4	3073	SANDE I VESTFOLD	3000	DRAMMEN	3
1348	RYKKINN	1000	OSLO	3	3074	SANDE I VESTFOLD	3000	DRAMMEN	3
1349	RYKKINN	1000	OSLO	3	3076	SANDE I VESTFOLD	3000	DRAMMEN	3
9610	RYPEFJORD	9510	ALTA	6	3077	SANDE I VESTFOLD	3000	DRAMMEN	3
4748	RYSSTAD	4600	KRISTIANSAND	7	3208	SANDEFJORD	3200	STOKKE	1
4053	RÆGE	4033	STAVANGER	2	3209	SANDEFJORD	3200	STOKKE	1
2005	RÆLINGEN	1000	OSLO	2	3210	SANDEFJORD	3200	STOKKE	1
3630	RØDBERG	3000	DRAMMEN	8	3211	SANDEFJORD	3200	STOKKE	1
8193	RØDØY	8000	FAUSKE	8	3212	SANDEFJORD	3200	STOKKE	1
8255	RØKLAND	8000	FAUSKE	7	3213	SANDEFJORD	3200	STOKKE	1
5760	RØLDAL	5000	BERGEN	8	3214	SANDEFJORD	3200	STOKKE	1
1950	RØMSKOG	1000	OSLO	6	3215	SANDEFJORD	3200	STOKKE	1
2960	RØN	2300	HAMAR	6	3216	SANDEFJORD	3200	STOKKE	1
7374	RØROS	7374	RØROS	0	3217	SANDEFJORD	3200	STOKKE	1
7900	RØRVIK	7000	TRONDHEIM	8	3218	SANDEFJORD	3200	STOKKE	1
8064	RØST	8000	FAUSKE	8	3219	SANDEFJORD	3200	STOKKE	1
8220	RØSVIK	8000	FAUSKE	7	3220	SANDEFJORD	3200	STOKKE	1
5549	RØVÆR	5500	HAUGESUND	6	3221	SANDEFJORD	3200	STOKKE	1
3440	RØYKEN	3000	DRAMMEN	5	3222	SANDEFJORD	3200	STOKKE	1
5546	RØYKSUND	5500	HAUGESUND	4	3223	SANDEFJORD	3200	STOKKE	1
4052	RØYNEBERG	4033	STAVANGER	0	3224	SANDEFJORD	3200	STOKKE	1
3530	RØYSE	3000	DRAMMEN	4	3225	SANDEFJORD	3200	STOKKE	1
5235	RÅDAL	5000	BERGEN	0	3226	SANDEFJORD	3200	STOKKE	1
5236	RÅDAL	5000	BERGEN	0	3227	SANDEFJORD	3200	STOKKE	1
5237	RÅDAL	5000	BERGEN	0	3228	SANDEFJORD	3200	STOKKE	1
5238	RÅDAL	5000	BERGEN	0	3229	SANDEFJORD	3200	STOKKE	1
5239	RÅDAL	5000	BERGEN	0	3230	SANDEFJORD	3200	STOKKE	1
1640	RÅDE	1700	ØSTFOLD	4	3231	SANDEFJORD	3200	STOKKE	1
2070	RÅHOLT	1000	OSLO	6	3232	SANDEFJORD	3200	STOKKE	1
7114	RÅKVÅG	7000	TRONDHEIM	7	3233	SANDEFJORD	3200	STOKKE	1
1927	RÅNÅSFOSS	1000	OSLO	6	3234	SANDEFJORD	3200	STOKKE	1
2120	SAGSTUA	2200	KONGVINGER	4	3235	SANDEFJORD	3200	STOKKE	1
5410	SAGVÅG	5500	HAUGESUND	5	3236	SANDEFJORD	3200	STOKKE	1
7562	SAKSVIK	7000	TRONDHEIM	3	3237	SANDEFJORD	3200	STOKKE	1
5107	SALHUS	5000	BERGEN	0	3238	SANDEFJORD	3200	STOKKE	1
7960	SALSBRUKET	7000	TRONDHEIM	8	3239	SANDEFJORD	3200	STOKKE	1
7817	SALSNES	7000	TRONDHEIM	8	3241	SANDEFJORD	3200	STOKKE	1
1642	SALTNES	1700	ØSTFOLD	4	3242	SANDEFJORD	3200	STOKKE	1
4815	SALTRØD	4600	KRISTIANSAND	4	3244	SANDEFJORD	3200	STOKKE	1
8056	SALTSTRAUMEN	8000	FAUSKE	5	5585	SANDEID	5500	HAUGESUND	5
9144	SAMUELSBERG	9000	TROMSØ	8	2116	SANDER	2200	KONGVINGER	3
4230	SAND	5500	HAUGESUND	7	8130	SANDHORNØY	8000	FAUSKE	7
6823	SANDANE	6880	STRYN	4	9585	SANDLAND	9510	ALTA	8
6973	SANDE I SUNNFJORD	6800	FØRDE	3	4306	SANDNES	4033	STAVANGER	0

Postal codes that are not in use and postal codes that are PO boxes are not included in the list.  
Such postal codes are not valid as pickup or delivery addresses.

## ■ ■ Primary zone table, groupage and part loads

Postal Code	Location	Terminal Id	Terminal name	Zone	Postal Code	Location	Terminal Id	Terminal name	Zone
4307	SANDNES	4033	STAVANGER	0	1709	SARPSBORG	1700	ØSTFOLD	0
4308	SANDNES	4033	STAVANGER	0	1710	SARPSBORG	1700	ØSTFOLD	0
4309	SANDNES	4033	STAVANGER	0	1711	SARPSBORG	1700	ØSTFOLD	0
4312	SANDNES	4033	STAVANGER	0	1721	SARPSBORG	1700	ØSTFOLD	0
4313	SANDNES	4033	STAVANGER	0	1722	SARPSBORG	1700	ØSTFOLD	0
4314	SANDNES	4033	STAVANGER	0	1723	SARPSBORG	1700	ØSTFOLD	0
4315	SANDNES	4033	STAVANGER	0	1724	SARPSBORG	1700	ØSTFOLD	0
4316	SANDNES	4033	STAVANGER	0	1725	SARPSBORG	1700	ØSTFOLD	0
4317	SANDNES	4033	STAVANGER	0	1726	SARPSBORG	1700	ØSTFOLD	0
4318	SANDNES	4033	STAVANGER	0	1727	SARPSBORG	1700	ØSTFOLD	0
4319	SANDNES	4033	STAVANGER	0	4200	SAUDA	5500	HAUGESUND	7
4320	SANDNES	4033	STAVANGER	0	4208	SAUDASJØEN	5500	HAUGESUND	7
4321	SANDNES	4033	STAVANGER	0	3692	SAULAND	3000	DRAMMEN	8
4322	SANDNES	4033	STAVANGER	0	7078	SAUPSTAD	7000	TRONDHEIM	0
4323	SANDNES	4033	STAVANGER	0	7097	SAUPSTAD	7000	TRONDHEIM	0
4324	SANDNES	4033	STAVANGER	0	7098	SAUPSTAD	7000	TRONDHEIM	0
4325	SANDNES	4033	STAVANGER	0	8724	SAURA	8600	MO I RANA	8
4326	SANDNES	4033	STAVANGER	0	7287	SAUØY	7000	TRONDHEIM	8
4327	SANDNES	4033	STAVANGER	0	9182	SEGLVIK	9000	TROMSØ	8
4328	SANDNES	4033	STAVANGER	0	5912	SEIM	5000	BERGEN	6
4329	SANDNES	4033	STAVANGER	0	5472	SEIMSFLOSS	5500	HAUGESUND	8
4336	SANDNES	4033	STAVANGER	0	6418	SEKKEN	6401	MOLDE	8
4337	SANDNES	4033	STAVANGER	0	2672	SEL	2670	OTTA	0
4338	SANDNES	4033	STAVANGER	0	7580	SELBU	7000	TRONDHEIM	7
8800	SANDNESSJØEN	8800	SANDNESSJØEN	0	7584	SELBUSTRAND	7000	TRONDHEIM	7
8802	SANDNESSJØEN	8800	SANDNESSJØEN	0	6740	SELJE	6880	STRYN	6
8803	SANDNESSJØEN	8800	SANDNESSJØEN	0	3840	SELJORD	3200	STOKKE	8
8804	SANDNESSJØEN	8800	SANDNESSJØEN	0	1651	SELLEBAKK	1700	ØSTFOLD	3
6089	SANDSHAMN	6000	ÅLESUND	7	1653	SELLEBAKK	1700	ØSTFOLD	3
5253	SANDSLI	5000	BERGEN	0	1654	SELLEBAKK	1700	ØSTFOLD	3
5254	SANDSLI	5000	BERGEN	0	1655	SELLEBAKK	1700	ØSTFOLD	3
7246	SANDSTAD	7000	TRONDHEIM	8	8196	SELSØYVIK	8000	FAUSKE	8
9425	SANDSØY	9400	HARSTAD	8	8742	SELVÆR	8600	MO I RANA	8
9430	SANDTORG	8510	NARVIK	5	4868	SELÅSVATN	4600	KRISTIANSAND	7
4272	SANDVE	5500	HAUGESUND	4	3170	SEM	3200	STOKKE	1
1336	SANDVIKA	1000	OSLO	3	3171	SEM	3200	STOKKE	1
1337	SANDVIKA	1000	OSLO	3	9386	SENJAHOPEN	8510	NARVIK	7
1338	SANDVIKA	1000	OSLO	3	8352	SENNESVIK	8371	SVOLVÆR	4
5452	SANDVOLL	5500	HAUGESUND	8	2058	SESSVOLLMOEN	1000	OSLO	6
8844	SANDVÆR	8800	SANDNESSJØEN	5	1954	SETSKOG	1000	OSLO	6
6484	SANDØY	6401	MOLDE	7	1404	SIGGERUD	1000	OSLO	3
9664	SANDØYBOTN	9510	ALTA	8	6714	SILDA	6880	STRYN	7
3766	SANNIDAL	3200	STOKKE	8	3748	SILJAN	3200	STOKKE	7
1706	SARPSBORG	1700	ØSTFOLD	0	9303	SILSAND	8510	NARVIK	7
1707	SARPSBORG	1700	ØSTFOLD	0	7387	SINGSÅS	7000	TRONDHEIM	7
1708	SARPSBORG	1700	ØSTFOLD	0	4438	SIRA	4033	STAVANGER	7

Postal codes that are not in use and postal codes that are PO boxes are not included in the list.  
Such postal codes are not valid as pickup or delivery addresses.

## ■ ■ Primary zone table, groupage and part loads

Postal Code	Location	Terminal Id	Terminal name	Zone	Postal Code	Location	Terminal Id	Terminal name	Zone
4364	SIREVÅG	4033	STAVANGER	7	3729	SKIEN	3200	STOKKE	2
9826	SIRMA	9846	TANA	8	3730	SKIEN	3200	STOKKE	2
7260	SISTRANDA	7000	TRONDHEIM	8	3731	SKIEN	3200	STOKKE	2
4170	SJERNARØY	4033	STAVANGER	7	3732	SKIEN	3200	STOKKE	2
7081	SJETNEMARKA	7000	TRONDHEIM	0	3733	SKIEN	3200	STOKKE	2
9030	SJURSNES	9000	TROMSØ	8	3734	SKIEN	3200	STOKKE	2
2612	SJUSJØEN	2300	HAMAR	6	3735	SKIEN	3200	STOKKE	2
9350	SJØVEGAN	8510	NARVIK	7	3736	SKIEN	3200	STOKKE	2
7860	SKAGE I NAMDALEN	7000	TRONDHEIM	8	3737	SKIEN	3200	STOKKE	2
9385	SKALAND	8510	NARVIK	7	3738	SKIEN	3200	STOKKE	2
3138	SKALLESTAD	3200	STOKKE	1	3739	SKIEN	3200	STOKKE	2
2950	SKAMMESTEIN	2300	HAMAR	5	3740	SKIEN	3200	STOKKE	2
5763	SKARE	5000	BERGEN	8	3741	SKIEN	3200	STOKKE	2
2100	SKARNES	2200	KONGVINGER	3	3742	SKIEN	3200	STOKKE	2
9763	SKARSVÅG	9510	ALTA	8	3743	SKIEN	3200	STOKKE	2
4182	SKARTVEIT	4033	STAVANGER	7	3744	SKIEN	3200	STOKKE	2
6719	SKATESTRUMEN	6800	FØRDE	7	3746	SKIEN	3200	STOKKE	2
7510	SKATVAL	7000	TRONDHEIM	6	3747	SKIEN	3200	STOKKE	2
9376	SKATVIK	8510	NARVIK	7	4146	SKIFTUN	5500	HAUGESUND	7
7357	SKAUN	7000	TRONDHEIM	6	6975	SKILBREI	6800	FØRDE	3
9587	SKAVNAKK	9510	ALTA	8	1816	SKIPTVET	1000	OSLO	6
2019	SKEDSMOKORSET	1000	OSLO	2	1746	SKJEBERG	1700	ØSTFOLD	3
2020	SKEDSMOKORSET	1000	OSLO	2	1747	SKJEBERG	1700	ØSTFOLD	3
6843	SKEI I JØLSTER	6800	FØRDE	4	8102	SKJERSTAD	8000	FAUSKE	6
1400	SKI	1000	OSLO	3	9180	SKJERVØY	9000	TROMSØ	7
1406	SKI	1000	OSLO	3	2013	SKJETTEN	1000	OSLO	2
9143	SKIBOTN	9000	TROMSØ	8	5574	SKJOLD	5500	HAUGESUND	4
3710	SKIEN	3200	STOKKE	2	5567	SKJOLDASTRUMEN	5500	HAUGESUND	6
3711	SKIEN	3200	STOKKE	2	6876	SKJOLDEN	6800	FØRDE	5
3712	SKIEN	3200	STOKKE	2	1680	SKJÆRHOLDEN	1700	ØSTFOLD	7
3713	SKIEN	3200	STOKKE	2	2690	SKJÅK	2670	OTTA	6
3714	SKIEN	3200	STOKKE	2	9771	SKJÅNES	9846	TANA	8
3715	SKIEN	3200	STOKKE	2	6260	SKODJE	6000	ÅLESUND	0
3716	SKIEN	3200	STOKKE	2	9722	SKOGANVARRE	9510	ALTA	8
3717	SKIEN	3200	STOKKE	2	2164	SKOGBYGDA	1000	OSLO	6
3718	SKIEN	3200	STOKKE	2	7620	SKOGN	7000	TRONDHEIM	6
3719	SKIEN	3200	STOKKE	2	5382	SKOGSVÅG	5000	BERGEN	6
3720	SKIEN	3200	STOKKE	2	3618	SKOLLENBORG	3000	DRAMMEN	4
3721	SKIEN	3200	STOKKE	2	3619	SKOLLENBORG	3000	DRAMMEN	4
3722	SKIEN	3200	STOKKE	2	8615	SKONSENG	8600	MO I RANA	4
3723	SKIEN	3200	STOKKE	2	3185	SKOPPUM	3200	STOKKE	1
3724	SKIEN	3200	STOKKE	2	7893	SKOROVATN	7000	TRONDHEIM	8
3725	SKIEN	3200	STOKKE	2	1409	SKOTBU	1000	OSLO	3
3726	SKIEN	3200	STOKKE	2	3330	SKOTSELV	3000	DRAMMEN	5
3727	SKIEN	3200	STOKKE	2	2230	SKOTTERUD	2200	KONGVINGER	3
3728	SKIEN	3200	STOKKE	2	2917	SKRAUTVÅL	2300	HAMAR	6

Postal codes that are not in use and postal codes that are PO boxes are not included in the list.  
Such postal codes are not valid as pickup or delivery addresses.

## ■ ■ Primary zone table, groupage and part loads

Postal Code	Location	Terminal Id	Terminal name	Zone	Postal Code	Location	Terminal Id	Terminal name	Zone
2848	SKREIA	2300	HAMAR	4	8402	SORTLAND	8403	SORTLAND	0
8320	SKROVA	8371	SVOLVÆR	8	8403	SORTLAND	8403	SORTLAND	0
4280	SKUDENESHAVN	5500	HAUGESUND	5	8404	SORTLAND	8403	SORTLAND	0
1340	SKUI	1000	OSLO	3	8406	SORTLAND	8403	SORTLAND	0
5710	SKULESTADMO	5000	BERGEN	6	8407	SORTLAND	8403	SORTLAND	0
8290	SKUTVIK	8000	FAUSKE	8	8408	SORTLAND	8403	SORTLAND	0
2643	SKÅBU	2670	OTTA	4	8415	SORTLAND	8403	SORTLAND	0
6456	SKÅLA	6401	MOLDE	4	8416	SORTLAND	8403	SORTLAND	0
5593	SKÅNEVIK	5500	HAUGESUND	7	7710	SPARBU	7000	TRONDHEIM	8
3780	SKÅTØY	3200	STOKKE	8	1591	SPERREBOTN	1700	ØSTFOLD	4
1480	SLATTUM	1000	OSLO	4	3430	SPIKKESTAD	3000	DRAMMEN	5
3470	SLEMMESTAD	3000	DRAMMEN	4	9185	SPILDRA	9000	TROMSØ	8
8762	SLENESET	8600	MO I RANA	8	7820	SPILLUM	7000	TRONDHEIM	8
1341	SLEPENDEN	1000	OSLO	3	7074	SPONGDAL	7000	TRONDHEIM	4
5939	SLETTA	5000	BERGEN	6	1794	SPONVIKA	1700	ØSTFOLD	4
2432	SLETTÅS	2300	HAMAR	8	1820	SPYDEBERG	1000	OSLO	6
2966	SLIDRE	2300	HAMAR	6	1821	SPYDEBERG	1000	OSLO	6
6859	SLINDE	6800	FØRDE	3	3788	STABBESTAD	3200	STOKKE	8
1859	SLITU	1000	OSLO	6	1368	STABEKK	1000	OSLO	3
2110	SLÅSTAD	2200	KONGVINGER	3	1369	STABEKK	1000	OSLO	3
6570	SMØLA	6401	MOLDE	8	6750	STADLANDET	6880	STRYN	6
4590	SNARTEMO	4600	KRISTIANSAND	7	7105	STADSBYGD	7000	TRONDHEIM	7
1367	SNARØYA	1000	OSLO	3	9132	STAKKVIK	9000	TROMSØ	8
9714	SNEFJORD	9510	ALTA	8	5715	STALHEIM	5000	BERGEN	8
2838	SNERTINGDAL	2300	HAMAR	5	5727	STAMNES	5000	BERGEN	5
7257	SNILLFJORD	7000	TRONDHEIM	7	8340	STAMSUND	8371	SVOLVÆR	4
5473	SNILSTVEITØY	5500	HAUGESUND	8	2335	STANGE	2300	HAMAR	2
7760	SNÅSA	7000	TRONDHEIM	8	5724	STANGHELLE	5000	BERGEN	5
1412	SOFIEMYR	1000	OSLO	3	6642	STANGVIK	6401	MOLDE	5
6856	SOGNDAL	6800	FØRDE	0	3960	STATHELLE	3200	STOKKE	2
3534	SOKNA	3000	DRAMMEN	4	3961	STATHELLE	3200	STOKKE	2
7288	SOKNEDAL	7000	TRONDHEIM	6	3962	STATHELLE	3200	STOKKE	2
4050	SOLA	4033	STAVANGER	0	3967	STATHELLE	3200	STOKKE	2
4051	SOLA	4033	STAVANGER	0	4920	STAUBØ	4600	KRISTIANSAND	7
4055	SOLA	4033	STAVANGER	0	6944	STAVANG	6800	FØRDE	6
3057	SOLBERGELVA	3000	DRAMMEN	2	4005	STAVANGER	4033	STAVANGER	0
3058	SOLBERGMOEN	3000	DRAMMEN	2	4006	STAVANGER	4033	STAVANGER	0
2477	SOLLIA	2300	HAMAR	8	4007	STAVANGER	4033	STAVANGER	0
3538	SOLLIHØGDA	3000	DRAMMEN	3	4008	STAVANGER	4033	STAVANGER	0
3355	SOLUMSMOEN	3000	DRAMMEN	6	4009	STAVANGER	4033	STAVANGER	0
6879	SOLVORN	6800	FØRDE	4	4010	STAVANGER	4033	STAVANGER	0
9110	SOMMARØY	9000	TROMSØ	7	4011	STAVANGER	4033	STAVANGER	0
1555	SON	1700	ØSTFOLD	3	4012	STAVANGER	4033	STAVANGER	0
4909	SONGE	4600	KRISTIANSAND	7	4013	STAVANGER	4033	STAVANGER	0
4129	SONGESAND	4033	STAVANGER	8	4014	STAVANGER	4033	STAVANGER	0
8400	SORTLAND	8403	SORTLAND	0	4015	STAVANGER	4033	STAVANGER	0

Postal codes that are not in use and postal codes that are PO boxes are not included in the list.  
Such postal codes are not valid as pickup or delivery addresses.

## ■ ■ Primary zone table, groupage and part loads

Postal Code	Location	Terminal Id	Terminal name	Zone	Postal Code	Location	Terminal Id	Terminal name	Zone
4016	STAVANGER	4033	STAVANGER	0	7509	STJØRDAL	7000	TRONDHEIM	5
4017	STAVANGER	4033	STAVANGER	0	7512	STJØRDAL	7000	TRONDHEIM	5
4018	STAVANGER	4033	STAVANGER	0	7513	STJØRDAL	7000	TRONDHEIM	5
4019	STAVANGER	4033	STAVANGER	0	7514	STJØRDAL	7000	TRONDHEIM	5
4020	STAVANGER	4033	STAVANGER	0	3160	STOKKE	3200	STOKKE	0
4021	STAVANGER	4033	STAVANGER	0	8735	STOKKVÅGEN	8600	MO I RANA	8
4022	STAVANGER	4033	STAVANGER	0	7178	STOKKØY	7000	TRONDHEIM	8
4023	STAVANGER	4033	STAVANGER	0	8450	STOKMARKNES	8403	SORTLAND	5
4024	STAVANGER	4033	STAVANGER	0	4274	STOL	5500	HAUGESUND	4
4025	STAVANGER	4033	STAVANGER	0	5398	STOLMEN	5000	BERGEN	8
4026	STAVANGER	4033	STAVANGER	0	6984	STONGFJORDEN	6800	FØRDE	4
4027	STAVANGER	4033	STAVANGER	0	9392	STONGLANDSEIDET	8510	NARVIK	7
4028	STAVANGER	4033	STAVANGER	0	5411	STORD	5500	HAUGESUND	6
4029	STAVANGER	4033	STAVANGER	0	5412	STORD	5500	HAUGESUND	6
4031	STAVANGER	4033	STAVANGER	0	5414	STORD	5500	HAUGESUND	6
4032	STAVANGER	4033	STAVANGER	0	5415	STORD	5500	HAUGESUND	6
4033	STAVANGER	4033	STAVANGER	0	5416	STORD	5500	HAUGESUND	6
4034	STAVANGER	4033	STAVANGER	0	5417	STORD	5500	HAUGESUND	6
4035	STAVANGER	4033	STAVANGER	0	6250	STORDAL	6000	ÅLESUND	4
3290	STAVERN	3200	STOKKE	1	5392	STOREBØ	5000	BERGEN	6
3292	STAVERN	3200	STOKKE	1	6285	STOREKALVØY	6000	ÅLESUND	8
3294	STAVERN	3200	STOKKE	1	6184	STORESTANDAL	6000	ÅLESUND	8
2353	STAVSJØ	2300	HAMAR	3	8323	STORFJELL	8371	SVOLVÆR	8
3053	STEINBERG	3000	DRAMMEN	3	8630	STORFORSHEI	8600	MO I RANA	4
7711	STEINKJER	7000	TRONDHEIM	7	7150	STORFOSNA	7000	TRONDHEIM	8
7712	STEINKJER	7000	TRONDHEIM	7	8275	STORJORD I TYSF- JORD	8000	FAUSKE	8
7713	STEINKJER	7000	TRONDHEIM	7	8328	STORMOLLA	8371	SVOLVÆR	8
7714	STEINKJER	7000	TRONDHEIM	7	8197	STORSELSØY	8000	FAUSKE	8
7715	STEINKJER	7000	TRONDHEIM	7	9151	STORSLETT	9000	TROMSØ	8
7716	STEINKJER	7000	TRONDHEIM	7	9050	STORSTEINNES	9000	TROMSØ	6
7717	STEINKJER	7000	TRONDHEIM	7	8145	STORVIK	8000	FAUSKE	8
7718	STEINKJER	7000	TRONDHEIM	7	8278	STORÅ	8000	FAUSKE	8
7724	STEINKJER	7000	TRONDHEIM	7	7334	STORÅS	7000	TRONDHEIM	7
7725	STEINKJER	7000	TRONDHEIM	7	6200	STRANDA	6000	ÅLESUND	4
7732	STEINKJER	7000	TRONDHEIM	7	5630	STRANDEBARM	5000	BERGEN	6
7740	STEINSDALEN	7000	TRONDHEIM	8	5643	STRANDVIK	5000	BERGEN	7
3277	STEINSHOLT	3200	STOKKE	2	5353	STRAUME	5000	BERGEN	4
5379	STEINSLAND	5000	BERGEN	6	5354	STRAUME	5000	BERGEN	4
5612	STEINSTØ	5000	BERGEN	7	8226	STRAUMEN	8000	FAUSKE	7
7500	STJØRDAL	7000	TRONDHEIM	5	6220	STRAUMGJERDE	6000	ÅLESUND	4
7502	STJØRDAL	7000	TRONDHEIM	5	9106	STRAUMSBUKTA	9000	TROMSØ	7
7503	STJØRDAL	7000	TRONDHEIM	5	5151	STRAUMSGREND	5000	BERGEN	0
7504	STJØRDAL	7000	TRONDHEIM	5	8475	STRAUMSJØEN	8403	SORTLAND	6
7505	STJØRDAL	7000	TRONDHEIM	5	6969	STRAUMSNES	6800	FØRDE	4
7506	STJØRDAL	7000	TRONDHEIM	5	5302	STRUSSHAMN	5000	BERGEN	5
7507	STJØRDAL	7000	TRONDHEIM	5	6783	STRYN	6880	STRYN	0

Postal codes that are not in use and postal codes that are PO boxes are not included in the list.  
Such postal codes are not valid as pickup or delivery addresses.

## ■ ■ Primary zone table, groupage and part loads

Postal Code	Location	Terminal Id	Terminal name	Zone	Postal Code	Location	Terminal Id	Terminal name	Zone
1465	STRØMMEN	1000	OSLO	2	7748	SÆTERVIK	7000	TRONDHEIM	8
1466	STRØMMEN	1000	OSLO	2	3475	SÆTRE	3000	DRAMMEN	6
1467	STRØMMEN	1000	OSLO	2	5645	SÆVAREID	5000	BERGEN	7
2010	STRØMMEN	1000	OSLO	2	4275	SÆVELANDSVIK	5500	HAUGESUND	4
8317	STRØNSTAD	8371	SVOLVÆR	5	5212	SØFTELAND	5000	BERGEN	4
8733	STUVLAND	8600	MO I RANA	8	4640	SØGNE	4600	KRISTIANSAND	3
5748	STYVI	5000	BERGEN	8	4641	SØGNE	4600	KRISTIANSAND	3
8438	STØ	8403	SORTLAND	5	4642	SØGNE	4600	KRISTIANSAND	3
7290	STØREN	7000	TRONDHEIM	5	4643	SØGNE	4600	KRISTIANSAND	3
8159	STØTT	8000	FAUSKE	8	4644	SØGNE	4600	KRISTIANSAND	3
6777	STÅRHEIM	6880	STRYN	4	8920	SØMNA	8910	BRØNNØYSUND	4
7280	SULA	7000	TRONDHEIM	8	2448	SØMÅDALEN	2300	HAMAR	8
4237	SULDALSOSEN	5500	HAUGESUND	7	4990	SØNDELED	4600	KRISTIANSAND	6
8230	SULITJELMA	8000	FAUSKE	7	8135	SØRARNØY	8000	FAUSKE	5
8384	SUND I LOFOTEN	8371	SVOLVÆR	4	4169	SØRBOKN	4033	STAVANGER	7
3092	SUNDBYFOSS	3000	DRAMMEN	5	7286	SØRBURØY	7000	TRONDHEIM	8
5450	SUNDE I SUNNHORDLAND	5500	HAUGESUND	7	6958	SØRBØVÅG	6800	FØRDE	4
4993	SUNDEBRU	4600	KRISTIANSAND	6	2428	SØRE OSEN	2300	HAMAR	8
7255	SUNDLANDET	7000	TRONDHEIM	7	5251	SØREIDGREND	5000	BERGEN	0
8892	SUNDØY	8600	MO I RANA	8	5252	SØREIDGREND	5000	BERGEN	0
6600	SUNNDALSØRA	6401	MOLDE	4	8190	SØRFJORDEN	8000	FAUSKE	8
6652	SURNA	6401	MOLDE	5	2647	SØR-FRON	2670	OTTA	4
6650	SURNADAL	6401	MOLDE	5	4123	SØR-HIDLE	4033	STAVANGER	7
9925	SVANVIK	9846	TANA	8	9152	SØRKJOSEN	9000	TROMSØ	8
6914	SVANØYBUKT	6800	FØRDE	8	7884	SØRLI	7000	TRONDHEIM	8
3275	SVARSTAD	3200	STOKKE	2	9310	SØRREISA	8510	NARVIK	7
1420	SVARTSKOG	1000	OSLO	4	2412	SØRSKOGBYGDA	2300	HAMAR	4
2657	SVATSUM	2300	HAMAR	6	6918	SØR-SKORPA	6800	FØRDE	8
9175	SVEAGRUVA	9000	TROMSØ	0	9162	SØRSTRAUMEN	9510	ALTA	8
5550	SVEIO	5500	HAUGESUND	4	9584	SØR-TVERRFJORD	9510	ALTA	8
6723	SVELGEN	6800	FØRDE	6	1923	SØRUM	1000	OSLO	5
3060	SVELVIK	3000	DRAMMEN	4	1920	SØRUMSAND	1000	OSLO	5
3622	SVENE	3000	DRAMMEN	6	9419	SØRVIK	9400	HARSTAD	4
9064	SVENSBY	9000	TROMSØ	7	9595	SØRVÆR	9510	ALTA	8
2652	SVINGVOLL	2300	HAMAR	5	8392	SØRVÅGEN	8371	SVOLVÆR	5
1593	SVINNDAL	1700	ØSTFOLD	4	6280	SØVIK	6000	ÅLESUND	4
8300	SVOLVÆR	8371	SVOLVÆR	4	6213	TAFJORD	6000	ÅLESUND	7
7327	SVORKMO	7000	TRONDHEIM	7	4163	TALGJE	4033	STAVANGER	7
6942	SVORTEVIK	6800	FØRDE	5	9540	TALVIK	9510	ALTA	6
6230	SYKKYLVEN	6000	ÅLESUND	3	9845	TANA	9846	TANA	0
3410	SYLLING	3000	DRAMMEN	2	4056	TANANGER	4033	STAVANGER	0
6144	SYLTE	6000	ÅLESUND	7	4057	TANANGER	4033	STAVANGER	0
6140	SYVDE	6000	ÅLESUND	7	4058	TANANGER	4033	STAVANGER	0
6165	SÆBØ	6000	ÅLESUND	7	7549	TANEM	7000	TRONDHEIM	4
5454	SÆBØVIK	5500	HAUGESUND	8	2337	TANGEN	2300	HAMAR	2
5938	SÆBØVÅGEN	5000	BERGEN	6	6919	TANSØY	6800	FØRDE	8

Postal codes that are not in use and postal codes that are PO boxes are not included in the list.  
Such postal codes are not valid as pickup or delivery addresses.

## ■ ■ Primary zone table, groupage and part loads

Postal Code	Location	Terminal Id	Terminal name	Zone	Postal Code	Location	Terminal Id	Terminal name	Zone
7166	TARVA	7000	TRONDHEIM	8	6443	TORNES I ROMSDAL	6401	MOLDE	4
4120	TAU	4033	STAVANGER	5	1657	TORP	1700	ØSTFOLD	3
8325	TENGELFJORD	8371	SVOLVÆR	8	1658	TORP	1700	ØSTFOLD	3
9357	TENNEVOLL	8510	NARVIK	8	1659	TORP	1700	ØSTFOLD	3
6264	TENNFJORD	6000	ÅLESUND	3	3579	TORPO	3550	GOL	3
7980	TERRÅK	7000	TRONDHEIM	5	9381	TORSKEN	8510	NARVIK	7
5113	TERTNES	5000	BERGEN	0	4260	TORVASTAD	5500	HAUGESUND	4
5114	TERTNES	5000	BERGEN	0	6639	TORVIKBUKT	6401	MOLDE	5
2683	TESSANDEN	2670	OTTA	4	3135	TORØD	3200	STOKKE	1
7075	TILLER	7000	TRONDHEIM	0	9445	TOVIK	8510	NARVIK	6
7091	TILLER	7000	TRONDHEIM	0	3406	TRANBY	3000	DRAMMEN	2
7092	TILLER	7000	TRONDHEIM	0	3408	TRANBY	3000	DRAMMEN	2
7093	TILLER	7000	TRONDHEIM	0	3409	TRANBY	3000	DRAMMEN	2
4595	TINGVATN	4600	KRISTIANSAND	7	6183	TRANDAL	6000	ÅLESUND	8
6630	TINGVOLL	6401	MOLDE	5	8297	TRANØY	8000	FAUSKE	8
3650	TINN AUSTBYGD	3000	DRAMMEN	7	5263	TRENGEREID	5000	BERGEN	5
2923	TISLEIDALEN	2300	HAMAR	5	6391	TRESFJORD	6401	MOLDE	4
1791	TISTEDAL	1700	ØSTFOLD	3	2635	TRETEN	2300	HAMAR	5
1792	TISTEDAL	1700	ØSTFOLD	3	3855	TREUNGEN	3200	STOKKE	8
1793	TISTEDAL	1700	ØSTFOLD	3	8865	TRO	8800	SANDNESSJØEN	4
7268	TITRAN	7000	TRONDHEIM	8	8680	TROFORS	8600	MO I RANA	8
5336	TJELDSTØ	5000	BERGEN	7	1414	TROLLÅSEN	1000	OSLO	3
4054	TJELTA	4033	STAVANGER	2	9020	TROMSDALEN	9000	TROMSØ	0
3280	TJODALYNG	3200	STOKKE	1	9021	TROMSDALEN	9000	TROMSØ	0
8186	TJONGSFJORDEN	8000	FAUSKE	8	9006	TROMSØ	9000	TROMSØ	0
3145	TJØME	3200	STOKKE	2	9007	TROMSØ	9000	TROMSØ	0
4443	TJØRHOM	4033	STAVANGER	8	9008	TROMSØ	9000	TROMSØ	0
6070	TJØRVÅG	6000	ÅLESUND	4	9009	TROMSØ	9000	TROMSØ	0
8860	TJØTTA	8800	SANDNESSJØEN	7	9010	TROMSØ	9000	TROMSØ	0
2232	TOBØL	2200	KONGVINGER	3	9011	TROMSØ	9000	TROMSØ	0
6645	TODALEN	6401	MOLDE	5	9012	TROMSØ	9000	TROMSØ	0
3482	TOFTE	3000	DRAMMEN	6	9013	TROMSØ	9000	TROMSØ	0
2540	TOLGA	2300	HAMAR	8	9014	TROMSØ	9000	TROMSØ	0
8114	TOLLÅ	8000	FAUSKE	6	9015	TROMSØ	9000	TROMSØ	0
3150	TOLVSRØD	3200	STOKKE	1	9016	TROMSØ	9000	TROMSØ	0
3151	TOLVSRØD	3200	STOKKE	1	9017	TROMSØ	9000	TROMSØ	0
3152	TOLVSRØD	3200	STOKKE	1	9018	TROMSØ	9000	TROMSØ	0
3153	TOLVSRØD	3200	STOKKE	1	9019	TROMSØ	9000	TROMSØ	0
3154	TOLVSRØD	3200	STOKKE	1	7010	TRONDHEIM	7000	TRONDHEIM	0
9024	TOMASJORD	9000	TROMSØ	0	7011	TRONDHEIM	7000	TRONDHEIM	0
6393	TOMREFJORD	6401	MOLDE	4	7012	TRONDHEIM	7000	TRONDHEIM	0
1825	TOMTER	1000	OSLO	6	7013	TRONDHEIM	7000	TRONDHEIM	0
8750	TONNES	8600	MO I RANA	7	7014	TRONDHEIM	7000	TRONDHEIM	0
4440	TONSTAD	4033	STAVANGER	8	7015	TRONDHEIM	7000	TRONDHEIM	0
5384	TORANGSVÅG	5000	BERGEN	8	7016	TRONDHEIM	7000	TRONDHEIM	0
6629	TORJULVÅGEN	6401	MOLDE	6	7017	TRONDHEIM	7000	TRONDHEIM	0

Postal codes that are not in use and postal codes that are PO boxes are not included in the list.  
Such postal codes are not valid as pickup or delivery addresses.



## ■ ■ Primary zone table, groupage and part loads

Postal Code	Location	Terminal Id	Terminal name	Zone	Postal Code	Location	Terminal Id	Terminal name	Zone
7018	TRONDHEIM	7000	TRONDHEIM	0	2555	TUFSINGDALEN	2300	HAMAR	8
7019	TRONDHEIM	7000	TRONDHEIM	0	3544	TUNHOVD	3550	GOL	4
7020	TRONDHEIM	7000	TRONDHEIM	0	8428	TUNSTAD	8403	SORTLAND	5
7021	TRONDHEIM	7000	TRONDHEIM	0	5365	TURØY	5000	BERGEN	7
7022	TRONDHEIM	7000	TRONDHEIM	0	9128	TUSSØY	9000	TROMSØ	8
7023	TRONDHEIM	7000	TRONDHEIM	0	6590	TUSTNA	6401	MOLDE	8
7024	TRONDHEIM	7000	TRONDHEIM	0	4900	TVEDESTRAND	4600	KRISTIANSAND	5
7025	TRONDHEIM	7000	TRONDHEIM	0	4658	TVEIT	4600	KRISTIANSAND	3
7026	TRONDHEIM	7000	TRONDHEIM	0	8050	TVERLANDET	8000	FAUSKE	4
7027	TRONDHEIM	7000	TRONDHEIM	0	7590	TYDAL	7000	TRONDHEIM	8
7028	TRONDHEIM	7000	TRONDHEIM	0	2985	TYINKRYSSET	2300	HAMAR	5
7029	TRONDHEIM	7000	TRONDHEIM	0	2510	TYLLDALEN	2300	HAMAR	8
7030	TRONDHEIM	7000	TRONDHEIM	0	2500	TYNSET	2300	HAMAR	7
7031	TRONDHEIM	7000	TRONDHEIM	0	3533	TYRISTRAND	3000	DRAMMEN	4
7032	TRONDHEIM	7000	TRONDHEIM	0	5680	TYSNES	5000	BERGEN	6
7033	TRONDHEIM	7000	TRONDHEIM	0	5650	TYSSE	5000	BERGEN	6
7034	TRONDHEIM	7000	TRONDHEIM	0	5284	TYSSEBOTNEN	5000	BERGEN	6
7035	TRONDHEIM	7000	TRONDHEIM	0	5770	TYSSDAL	5000	BERGEN	8
7036	TRONDHEIM	7000	TRONDHEIM	0	5565	TYSVÆRVÅG	5500	HAUGESUND	4
7037	TRONDHEIM	7000	TRONDHEIM	0	5380	TÆLAVÅG	5000	BERGEN	6
7038	TRONDHEIM	7000	TRONDHEIM	0	3110	TØNSBERG	3200	STOKKE	1
7039	TRONDHEIM	7000	TRONDHEIM	0	3111	TØNSBERG	3200	STOKKE	1
7040	TRONDHEIM	7000	TRONDHEIM	0	3112	TØNSBERG	3200	STOKKE	1
7041	TRONDHEIM	7000	TRONDHEIM	0	3113	TØNSBERG	3200	STOKKE	1
7042	TRONDHEIM	7000	TRONDHEIM	0	3114	TØNSBERG	3200	STOKKE	1
7043	TRONDHEIM	7000	TRONDHEIM	0	3115	TØNSBERG	3200	STOKKE	1
7044	TRONDHEIM	7000	TRONDHEIM	0	3116	TØNSBERG	3200	STOKKE	1
7045	TRONDHEIM	7000	TRONDHEIM	0	3117	TØNSBERG	3200	STOKKE	1
7046	TRONDHEIM	7000	TRONDHEIM	0	3118	TØNSBERG	3200	STOKKE	1
7047	TRONDHEIM	7000	TRONDHEIM	0	3122	TØNSBERG	3200	STOKKE	1
7048	TRONDHEIM	7000	TRONDHEIM	0	3123	TØNSBERG	3200	STOKKE	1
7049	TRONDHEIM	7000	TRONDHEIM	0	3124	TØNSBERG	3200	STOKKE	1
7050	TRONDHEIM	7000	TRONDHEIM	0	3125	TØNSBERG	3200	STOKKE	1
7051	TRONDHEIM	7000	TRONDHEIM	0	3126	TØNSBERG	3200	STOKKE	1
7052	TRONDHEIM	7000	TRONDHEIM	0	3127	TØNSBERG	3200	STOKKE	1
7066	TRONDHEIM	7000	TRONDHEIM	0	2429	TØRBERGET	2300	HAMAR	8
7067	TRONDHEIM	7000	TRONDHEIM	0	3753	TØRDAL	3200	STOKKE	8
7068	TRONDHEIM	7000	TRONDHEIM	0	5620	TØRVIKBYGD	5000	BERGEN	7
7069	TRONDHEIM	7000	TRONDHEIM	0	1413	TÅRNÅSEN	1000	OSLO	3
7071	TRONDHEIM	7000	TRONDHEIM	0	8535	TÅRSTAD	8510	NARVIK	6
7892	TRONES	7000	TRONDHEIM	8	4463	UALAND	4033	STAVANGER	7
2420	TRYSIL	2300	HAMAR	6	5685	UGGDAL	5000	BERGEN	6
8770	TRÆNA	8600	MO I RANA	8	3830	ULEFOSS	3200	STOKKE	5
1860	TRØGSTAD	1000	OSLO	6	2918	ULNES	2300	HAMAR	6
3697	TUDDAL	3000	DRAMMEN	8	5115	ULSET	5000	BERGEN	0
9670	TUFJORD	9510	ALTA	8	5116	ULSET	5000	BERGEN	0

Postal codes that are not in use and postal codes that are PO boxes are not included in the list.  
Such postal codes are not valid as pickup or delivery addresses.

## ■ ■ Primary zone table, groupage and part loads

Postal Code	Location	Terminal Id	Terminal name	Zone	Postal Code	Location	Terminal Id	Terminal name	Zone
5117	ULSET	5000	BERGEN	0	4209	VANVIK	5500	HAUGESUND	7
5118	ULSET	5000	BERGEN	0	7125	VANVIKAN	7000	TRONDHEIM	7
5119	ULSET	5000	BERGEN	0	5636	VARALDSØY	5000	BERGEN	8
5121	ULSET	5000	BERGEN	0	9840	VARANGERBOTN	9846	TANA	6
6065	ULSTEINVIK	6000	ÅLESUND	3	9950	VARDØ	9846	TANA	8
5730	ULVIK	5000	BERGEN	7	4360	VARHAUG	4033	STAVANGER	5
8276	ULSVÅG	8000	FAUSKE	8	6170	VARTDAL	6000	ÅLESUND	4
9197	ULØYBUKT	9000	TROMSØ	8	1735	VARTEIG	1700	ØSTFOLD	4
4342	UNDHEIM	4033	STAVANGER	7	6847	VASSENDEN	6800	FØRDE	3
5746	UNDREDAL	5000	BERGEN	8	4076	VASSØY	4033	STAVANGER	6
3176	UNDRUMSDAL	3200	STOKKE	1	6265	VATNE	6000	ÅLESUND	3
5427	URANGSVÅG	5500	HAUGESUND	7	4730	VATNESTRØM	4600	KRISTIANSAND	6
5463	USKEDALEN	5500	HAUGESUND	8	3172	VEAR	3200	STOKKE	1
3593	USTAOSET	3550	GOL	4	3173	VEAR	3200	STOKKE	1
7142	UTHAUG	7000	TRONDHEIM	8	4276	VEAVÅGEN	5500	HAUGESUND	4
5778	UTNE	5000	BERGEN	8	6310	VEBLUNGSNES	6401	MOLDE	4
5547	UTSIRA	5500	HAUGESUND	5	8980	VEGA	8910	BRØNNØYSUND	5
8725	UTSKARPEN	8600	MO I RANA	8	3628	VEGLI	3000	DRAMMEN	6
6797	UTVIK	6880	STRYN	3	4985	VEGÅRSHEI	4600	KRISTIANSAND	7
5453	UTÅKER	5500	HAUGESUND	8	9717	VEIDNESKLUBBEN	9510	ALTA	8
3632	UVDAL	3000	DRAMMEN	8	3144	VEIERLAND	3200	STOKKE	2
6996	VADHEIM	6800	FØRDE	4	6878	VEITASTROND	6800	FØRDE	7
9800	VADSØ	9846	TANA	6	8960	VELFJORD	8910	BRØNNØYSUND	4
5725	VAKSDAL	5000	BERGEN	5	2632	VENABYGD	2670	OTTA	4
9187	VALANHAMN	9510	ALTA	8	9120	VENGESØY	9000	TROMSØ	8
8357	VALBERG	8371	SVOLVÆR	4	4700	VENNESLA	4600	KRISTIANSAND	3
6050	VALDERØYA	6000	ÅLESUND	5	4706	VENNESLA	4600	KRISTIANSAND	3
5451	VALEN	5500	HAUGESUND	8	4707	VENNESLA	4600	KRISTIANSAND	5
5281	VALESTRANDSFOSSEN	5000	BERGEN	5	4708	VENNESLA	4600	KRISTIANSAND	3
5554	VALEVÅG	5500	HAUGESUND	4	7650	VERDAL	7000	TRONDHEIM	7
5734	VALLAVIK	5000	BERGEN	7	7652	VERDAL	7000	TRONDHEIM	7
6210	VALLDAL	6000	ÅLESUND	6	7653	VERDAL	7000	TRONDHEIM	7
4747	VALLE	4600	KRISTIANSAND	8	7654	VERDAL	7000	TRONDHEIM	7
7167	VALLERSUND	7000	TRONDHEIM	8	7655	VERDAL	7000	TRONDHEIM	7
2330	VALLSET	2300	HAMAR	3	7656	VERDAL	7000	TRONDHEIM	7
8215	VALNESFJORD	8000	FAUSKE	5	7657	VERDAL	7000	TRONDHEIM	7
6686	VALSØYBOTN	6401	MOLDE	5	6330	VERMA	6401	MOLDE	7
6687	VALSØYFJORD	6401	MOLDE	5	7797	VERRABOTN	7000	TRONDHEIM	8
8830	VANDVE	8800	SANDNESSJØEN	7	1540	VESTBY	1000	OSLO	4
2975	VANG I VALDRES	2300	HAMAR	7	8412	VESTBYGD	8510	NARVIK	8
2324	VANG PÅ HEDMARKEN	2300	HAMAR	2	1684	VESTERØY	1700	ØSTFOLD	7
6894	VANGSNES	6800	FØRDE	4	3320	VESTFOSSEN	3000	DRAMMEN	3
9304	VANGSVIK	8510	NARVIK	7	2233	VESTMARKA	2200	KONGVINGER	3
9136	VANNAREID	9000	TROMSØ	8	6390	VESTNES	6401	MOLDE	4
9135	VANNVÅG	9000	TROMSØ	8	2653	VESTRE GAUSDAL	2300	HAMAR	5
4560	VANSE	4600	KRISTIANSAND	7	9802	VESTRE JAKOBSELV	9846	TANA	6

Postal codes that are not in use and postal codes that are PO boxes are not included in the list.  
Such postal codes are not valid as pickup or delivery addresses.

## ■ ■ Primary zone table, groupage and part loads

Postal Code	Location	Terminal Id	Terminal name	Zone	Postal Code	Location	Terminal Id	Terminal name	Zone
4915	VESTRE SANDØYA	4600	KRISTIANSAND	7	5705	VOSS	5000	BERGEN	6
5396	VESTRE VINNESVÅG	5000	BERGEN	6	5706	VOSS	5000	BERGEN	6
4152	VESTRE ÅMØY	4033	STAVANGER	6	5708	VOSS	5000	BERGEN	6
3142	VESTSKOGEN	3200	STOKKE	1	5709	VOSS	5000	BERGEN	6
1392	VETTRE	1000	OSLO	3	5713	VOSSESTRAND	5000	BERGEN	7
6494	VEVANG	6401	MOLDE	4	3853	VRÅDAL	3200	STOKKE	8
8976	VEVELSTAD	8910	BRØNNØYSUND	4	3849	VRÅLIOSEN	3200	STOKKE	8
7354	VIGGJA	7000	TRONDHEIM	6	7660	VUKU	7000	TRONDHEIM	8
6040	VIGRA	6000	ÅLESUND	5	6986	VÆRLANDET	6800	FØRDE	8
4362	VIGRESTAD	4033	STAVANGER	5	8063	VÆRØY	8000	FAUSKE	8
6697	VIHALS	6401	MOLDE	5	5785	VØRINGSFOSS	5000	BERGEN	8
6893	VIK I SOGN	6800	FØRDE	4	1339	VØYENENGA	1000	OSLO	3
5994	VIKANES	5000	BERGEN	8	8185	VÅGAHOLMEN	8000	FAUSKE	8
6392	VIKEBUKT	6401	MOLDE	4	6683	VÅGLAND	6401	MOLDE	5
5568	VIKEBYGD	5500	HAUGESUND	4	6387	VÅGSTRANDA	6401	MOLDE	4
5583	VIKEDAL	5500	HAUGESUND	6	2680	VÅGÅ	2670	OTTA	4
3370	VIKERSUND	3000	DRAMMEN	5	3178	VÅLE	3200	STOKKE	1
4389	VIKESÅ	4033	STAVANGER	7	2436	VÅLER I SOLØR	2200	KONGVINGER	6
7560	VIKHAMMER	7000	TRONDHEIM	3	1592	VÅLER I ØSTFOLD	1700	ØSTFOLD	3
8720	VIKHOLMEN	8600	MO I RANA	8	8985	YLINGEN	8910	BRØNNØYSUND	5
9057	VIKRA	9000	TROMSØ	7	5265	YTRE ARNA	5000	BERGEN	4
6978	VIKSDALEN	6800	FØRDE	5	8128	YTRE BEIARN	8000	FAUSKE	5
6655	VINDØLA	6401	MOLDE	5	1914	YTRE ENEBAKK	1000	OSLO	5
2542	VINGELEN	2300	HAMAR	8	6927	YTRØYGREND	6800	FØRDE	6
2607	VINGROM	2300	HAMAR	4	7742	YTTERVÅG	7000	TRONDHEIM	8
3890	VINJE	3200	STOKKE	8	7629	YTTERØY	7000	TRONDHEIM	7
3893	VINJESVINGEN	3200	STOKKE	8	1715	YVEN	1700	ØSTFOLD	3
7203	VINJEØRA	7000	TRONDHEIM	8	5475	ÆNES	5500	HAUGESUND	8
2640	VINSTRÅ	2670	OTTA	3	6610	ØKSENDAL	6401	MOLDE	4
1407	VINTERBRO	1000	OSLO	3	9550	ØKSFJORD	9510	ALTA	8
6364	VISTDAL	6401	MOLDE	6	5580	ØLEN	5500	HAUGESUND	5
8870	VISTHUS	8800	SANDNESSJØEN	8	5582	ØLENSVÅG	5500	HAUGESUND	5
7343	VOGNILL	7000	TRONDHEIM	8	5637	ØLVE	5000	BERGEN	7
6100	VOLDA	6000	ÅLESUND	4	8754	ØRESVIK	8600	MO I RANA	7
6102	VOLDA	6000	ÅLESUND	4	1870	ØRJE	1000	OSLO	6
6103	VOLDA	6000	ÅLESUND	4	8150	ØRNES	8000	FAUSKE	8
6104	VOLDA	6000	ÅLESUND	4	6240	ØRSKOG	6000	ÅLESUND	3
6105	VOLDA	6000	ÅLESUND	4	6150	ØRSTA	6000	ÅLESUND	4
6106	VOLDA	6000	ÅLESUND	4	6152	ØRSTA	6000	ÅLESUND	4
4354	VOLL	4033	STAVANGER	3	6153	ØRSTA	6000	ÅLESUND	4
1390	VOLLEN	1000	OSLO	3	6154	ØRSTA	6000	ÅLESUND	4
1391	VOLLEN	1000	OSLO	3	6155	ØRSTA	6000	ÅLESUND	4
5545	VORMEDAL	5500	HAUGESUND	0	6156	ØRSTA	6000	ÅLESUND	4
2160	VORMSUND	1000	OSLO	6	2423	ØSTBY	2300	HAMAR	6
5700	VOSS	5000	BERGEN	6	1361	ØSTERÅS	1000	OSLO	3
5704	VOSS	5000	BERGEN	6	2651	ØSTRE GAUSDAL	2300	HAMAR	5

Postal codes that are not in use and postal codes that are PO boxes are not included in the list.  
Such postal codes are not valid as pickup or delivery addresses.

## ■ ■ Primary zone table, groupage and part loads

Postal Code	Location	Terminal Id	Terminal name	Zone	Postal Code	Location	Terminal Id	Terminal name	Zone
9334	ØVERBYGD	8510	NARVIK	7	6737	ÅLFOTEN	6800	FØRDE	7
2544	ØVERSJØDALEN	2300	HAMAR	8	4330	ÅLGÅRD	4033	STAVANGER	4
5784	ØVRE EIDFJORD	5000	BERGEN	8	5614	ÅLVIK	5000	BERGEN	7
5106	ØVRE ERVIK	5000	BERGEN	0	6620	ÅLVUNDEID	6401	MOLDE	5
2839	ØVRE SNERTINGDAL	2300	HAMAR	5	6622	ÅLVUNDFJORD	6401	MOLDE	5
6653	ØVRE SURNADAL	6401	MOLDE	5	3882	ÅMDALS VERK	3200	STOKKE	8
5576	ØVRE VATS	5500	HAUGESUND	4	4865	ÅMLI	4600	KRISTIANSAND	7
6884	ØVRE ÅRDAL	6800	FØRDE	4	3340	ÅMOT	3000	DRAMMEN	5
4715	ØVREBØ	4600	KRISTIANSAND	5	3844	ÅMOTSDAL	3200	STOKKE	8
6670	ØYDEGARD	6401	MOLDE	5	4420	ÅNA-SIRA	4033	STAVANGER	8
2977	ØYE	2300	HAMAR	5	6300	ÅNDALSNES	6401	MOLDE	4
2636	ØYER	2300	HAMAR	5	5977	ÅNNELAND	5000	BERGEN	8
4484	ØYESTRANDA	4033	STAVANGER	6	9454	ÅNSTAD	8510	NARVIK	8
4532	ØYSLEBØ	4600	KRISTIANSAND	7	6149	ÅRAM	6000	ÅLESUND	7
5610	ØYSTESE	5000	BERGEN	6	5693	ÅRBAKKA	5000	BERGEN	6
2220	ÅBOGEN	2200	KONGVINGER	3	4137	ÅRDAL I RYFYLKE	4033	STAVANGER	6
2345	ÅDALSBRUK	2300	HAMAR	3	6885	ÅRDALSTANGEN	6800	FØRDE	4
6360	ÅFARNES	6401	MOLDE	4	5652	ÅRLAND	5000	BERGEN	6
7170	ÅFJORD	7000	TRONDHEIM	8	2150	ÅRNES	1000	OSLO	6
5347	ÅGOTNES	5000	BERGEN	4	3474	ÅROS	3000	DRAMMEN	6
5363	ÅGOTNES	5000	BERGEN	4	9195	ÅRVIKSAND	9000	TROMSØ	8
8184	ÅGSKARDET	8000	FAUSKE	8	1430	ÅS	1000	OSLO	4
6146	ÅHEIM	6000	ÅLESUND	7	1433	ÅS	1000	OSLO	4
5499	ÅKRA	5500	HAUGESUND	8	1434	ÅS	1000	OSLO	4
4270	ÅKREHAMN	5500	HAUGESUND	4	1435	ÅS	1000	OSLO	4
3570	ÅL	3550	GOL	3	7630	ÅSEN	7000	TRONDHEIM	7
7380	ÅLEN	7374	RØROS	6	7632	ÅSENFJORD	7000	TRONDHEIM	6
6002	ÅLESUND	6000	ÅLESUND	0	4540	ÅSERAL	4600	KRISTIANSAND	8
6003	ÅLESUND	6000	ÅLESUND	0	2033	ÅSGREINA	1000	OSLO	6
6004	ÅLESUND	6000	ÅLESUND	0	3179	ÅSGÅRDSTRAND	3200	STOKKE	1
6005	ÅLESUND	6000	ÅLESUND	0	2365	ÅSMARKA	2300	HAMAR	3
6006	ÅLESUND	6000	ÅLESUND	0	2283	ÅSNES FINNSKOG	2200	KONGVINGER	5
6007	ÅLESUND	6000	ÅLESUND	0	2332	ÅSVANG	2300	HAMAR	3
6008	ÅLESUND	6000	ÅLESUND	0					
6009	ÅLESUND	6000	ÅLESUND	0					
6010	ÅLESUND	6000	ÅLESUND	0					
6011	ÅLESUND	6000	ÅLESUND	0					
6012	ÅLESUND	6000	ÅLESUND	0					
6013	ÅLESUND	6000	ÅLESUND	0					
6014	ÅLESUND	6000	ÅLESUND	0					
6015	ÅLESUND	6000	ÅLESUND	0					
6016	ÅLESUND	6000	ÅLESUND	0					
6017	ÅLESUND	6000	ÅLESUND	0					
6018	ÅLESUND	6000	ÅLESUND	0					
6019	ÅLESUND	6000	ÅLESUND	0					
6020	ÅLESUND	6000	ÅLESUND	0					

Postal codes that are not in use and postal codes that are PO boxes are not included in the list.  
Such postal codes are not valid as pickup or delivery addresses.

■ ■ Groupage and part loads (national)

This price excludes toll charges and fuel surcharges.

Part loads

Charge-able weight	Zone 1	2	3	4	5	6	7	8	9	10	11	12	13	14	15	16	17	18	19	20
1-19	476	476	476	476	476	476	476	476	490	523	539	570	602	617	651	712	730	776	825	872
20-29	476	476	476	476	476	476	476	523	556	587	617	666	697	730	761	840	872	918	998	1108
30-39	476	476	476	476	476	523	570	617	683	712	761	825	872	918	984	1046	1126	1172	1252	1427
40-59	476	476	476	509	539	602	683	730	794	856	918	984	1046	1108	1190	1284	1346	1441	1537	1743
60-79	476	490	570	666	712	794	856	936	1015	1094	1172	1236	1317	1409	1491	1601	1696	1805	1932	2075
80-99	490	539	634	744	810	904	998	1077	1157	1236	1330	1427	1505	1617	1711	1838	1951	2060	2186	2346
100-119	509	570	697	825	904	998	1094	1205	1300	1396	1491	1601	1696	1805	1902	2060	2172	2313	2474	2615
120-139	548	634	761	936	1029	1108	1236	1330	1427	1537	1649	1743	1853	1965	2075	2234	2346	2502	2663	2875
140-159	587	730	887	1062	1172	1284	1396	1522	1649	1759	1886	1998	2124	2253	2393	2567	2708	2868	3058	3194
160-179	712	840	1015	1205	1330	1459	1601	1728	1853	1998	2139	2266	2408	2567	2708	2916	3075	3265	3470	3614
180-199	761	918	1126	1346	1472	1632	1792	1965	2124	2282	2455	2600	2774	2949	3138	3302	3531	3653	3914	4110
200-224	794	984	1190	1409	1570	1728	1902	2075	2253	2425	2600	2774	2931	3123	3328	3582	3771	3933	4156	4370
225-249	825	1015	1236	1491	1617	1792	1982	2172	2328	2521	2708	2885	3075	3282	3438	3740	3930	4215	4486	4662
250-274	872	1046	1284	1552	1696	1870	2060	2253	2442	2630	2823	3011	3186	3392	3598	3883	4104	4375	4675	4929
275-299	951	1141	1379	1662	1805	2011	2234	2425	2630	2823	3044	3249	3438	3661	3883	4215	4420	4722	5041	5324
300-349	1015	1219	1472	1792	1932	2172	2377	2600	2823	3044	3265	3470	3692	3946	4184	4500	4740	5071	5388	5706
350-399	1108	1330	1649	1965	2172	2393	2630	2868	3107	3359	3614	3851	4089	4358	4614	4992	5278	5626	5975	6355
400-499	1236	1491	1792	2172	2346	2615	2885	3155	3408	3692	3946	4232	4500	4801	5071	5485	5784	6180	6579	7005
500-599	1300	1570	1902	2300	2488	2789	3075	3346	3645	3915	4215	4486	4769	5071	5388	5801	6118	6547	6956	7432
600-699	1427	1728	2093	2521	2757	3058	3359	3679	3993	4313	4614	4915	5244	5578	5912	6387	6752	7180	7672	8163
700-799	1601	1919	2346	2823	3075	3408	3756	4104	4454	4818	5135	5485	5848	6245	6592	7116	7512	8036	8558	9113
800-899	1759	2107	2553	3075	3346	3724	4104	4486	4865	5244	5626	5991	6387	6814	7195	7783	8209	8780	9349	9970
900-1000	1838	2253	2742	3282	3566	3962	4358	4769	5167	5563	5975	6355	6782	7195	7639	8226	8700	9288	9888	10508

Minimum freight NOK 476

■ ■ Groupage and partload national

This price excludes toll charges and fuel surcharges.

Shipping in NOK per 1000 kg

Charge-able weight	Zone 1	2	3	4	5	6	7	8	9	10	11	12	13	14	15	16	17	18	19	20
1001-1499	1893	2216	2869	3334	3645	4121	4609	4905	5394	5859	6170	6504	7135	7443	7931	8561	9039	9670	10147	10944
1500-1999	1608	1882	2429	2833	3096	3358	3645	3918	4322	4585	4978	5394	5800	6205	6596	7145	7538	7943	8479	9156
2000-2499	1511	1775	2156	2667	2787	3049	3299	3609	3918	4180	4561	4942	5322	5705	6086	6478	6848	7228	7872	8360
2500-2999	1394	1655	2156	2560	2667	2917	3167	3548	3798	4061	4442	4823	5192	5585	5954	6348	6848	7098	7609	8110
3000-3499	1310	1548	1905	2370	2499	2607	2859	3216	3454	3681	4036	4394	4763	5121	5347	5705	6180	6419	6884	7371
3500-3999	1310	1418	1905	2263	2406	2525	2739	3216	3454	3561	3918	4276	4514	4870	5347	5585	5943	6299	6657	7252
4000-4499	1167	1382	1739	2096	2309	2442	2667	3013	3239	3358	3703	4050	4276	4632	4978	5204	5669	5907	6360	6824
4500-5000	1167	1382	1739	2096	2309	2442	2550	2894	3132	3358	3584	3929	4276	4502	4859	5204	5429	5787	6253	6596

Minimum price, part loads (national) NOK 476. Minimum price dangerous goods, hot goods and special cargo NOK 595.

Groupage - shipping in NOK per 1000 kg

Charge-able weight	Zone 1	2	3	4	5	6	7	8	9	10	11	12	13	14	15	16	17	18	19	20
Minstefrakt	3403	4256	5218	6581	7089	7607	8283	9364	10102	10895	11461	12424	13391	14410	15267	16283	17243	18268	19290	20258
3500-4999	972	1216	1491	1880	2026	2172	2367	2674	2887	3114	3275	3549	3827	4117	4362	4652	4927	5221	5511	5787
5000-6999	891	990	1248	1735	1866	1995	2172	2449	2660	2838	2998	3259	3501	3776	4003	4261	4541	4783	5056	5300
7000-8999	864	959	1210	1683	1808	1935	2108	2374	2582	2753	2907	3160	3396	3664	3884	4133	4403	4638	4904	5144
9000-10999	847	940	1184	1648	1772	1895	2064	2328	2526	2696	2848	3095	3326	3588	3803	4050	4314	4544	4803	5037
11000-99999	829	919	1162	1614	1735	1856	2022	2276	2474	2638	2789	3029	3257	3513	3724	3963	4222	4447	4702	4931



■ ■ Groupage and part loads (local)

This price excludes toll charges and fuel surcharges.

**Groupage**

Chargeable weight (kg)	Zone 1	Zone 2	Zone 3	Zone 4	Zone 5	Zone 6	Zone 7	Zone 8	Zone 9
1-19	350	352	354	356	360	363	365	371	378
20-29	350	354	356	360	360	365	371	378	409
30-39	350	356	361	363	372	386	401	457	486
40-59	356	360	363	379	386	434	479	540	571
60-79	363	376	390	440	511	571	619	681	737
80-99	379	395	411	485	589	622	698	802	865
100-119	386	412	437	546	633	698	774	865	959
120-139	401	432	463	591	727	803	850	990	1069
140-159	439	469	509	653	835	909	1001	1117	1210
160-179	496	523	554	790	944	1030	1123	1289	1367
180-199	527	565	604	834	1005	1092	1213	1431	1463
200-224	571	608	643	865	1067	1136	1258	1444	1571
225-249	607	644	683	895	1113	1182	1304	1509	1651
250-274	656	695	732	955	1160	1242	1364	1557	1696
275-299	705	744	784	1001	1238	1319	1486	1696	1857
300-349	774	818	863	1136	1391	1486	1669	1903	2075
350-399	850	895	939	1273	1547	1669	1834	2091	2296
400-499	925	978	1028	1379	1700	1819	2001	2309	2516
500-599	1019	1088	1158	1486	1808	1926	2136	2437	2659
600-699	1107	1197	1286	1607	1983	2122	2349	2687	2926
700-799	1213	1315	1416	1819	2211	2349	2637	2987	3286
800-899	1350	1444	1543	1971	2413	2561	2882	3286	3568
900-1000	1458	1565	1672	2108	2584	2743	3046	3474	3789

■ ■ Groupage and part loads (local)

This price excludes toll charges and fuel surcharges.

**Shipping in NOK per 1000 kg**

Chargeable weight (kg)	Zone 1	Zone 2	Zone 3	Zone 4	Zone 5	Zone 6	Zone 7	Zone 8	Zone 9
1001-1499	1691	1716	1739	1834	2334	2596	2751	3167	3334
1500-1999	1297	1333	1358	1429	1989	2203	2334	2560	2833
2000-2499	1228	1251	1274	1345	1869	2072	2203	2406	2535
2500-2999	1095	1120	1143	1215	1752	1965	2072	2286	2535
3000-3499	1037	1049	1071	1143	1643	1834	1941	2143	2251
3500-3999	1037	1049	1071	1143	1643	1834	1941	2011	2143
4000-4499	1001	1024	1037	1107	1490	1786	1893	1965	2096
4500-5000	1001	1024	1037	1107	1490	1786	1893	1965	1965

Minimum price, groupage (local) NOK 339. Minimum price dangerous goods, hot goods and special cargo NOK 424.

**Part load - shipping in NOK per 1000 kg**

Chargeable weight (kg)	Zone 1	Zone 2	Zone 3	Zone 4	Zone 5	Zone 6	Zone 7	Zone 8	Zone 9
Minimum shipping	1704	1739	1771	2627	3363	3564	3798	4295	4850
3500-4999	487	497	505	751	961	1019	1086	1229	1386
5000-6999	446	455	463	688	879	932	994	1126	1270
7000-8999	434	441	451	667	855	907	965	1093	1233
9000-10999	424	434	440	654	838	887	945	1068	1206
11000-99999	415	424	432	639	819	868	926	1046	1180

Over 13000 kg as agreed.



## ■ ■ Additional services

	Price
Notification	NOK 299
Crane	Per hour
Labelling	NOK 108 per package
Returns Service	Requires special agreement
Consignee shipping	NOK 252 per consignment
Third party fee payment	NOK 229 per consignment
Printout, manual reg. freight bill	NOK 116
EUR pallet exchange	NOK 56 per pallet
Manual booking pick-up	NOK 116
Safety advisor	Price per hour
Special cargo	25% surcharge on net customer shipping
Dangerous goods	25% surcharge on net customer shipping
Hot goods	25% surcharge on net customer shipping

## ■ ■ Surcharges

	Price
Notification	NOK 299 per consignment
Second delivery attempt	NOK 544 per consignment
Incorrect addressing	NOK 56 per consignment
Collection below 100 kg	NOK 327
Credit fee	NOK 148 per invoice
Incorrect/missing EDI	NOK 116 per consignment
Delayed EDI	116 per consignment
Storage charge (storage charge in excess of 2 working days per day commenced)	NOK 53 per 100 kg., min. NOK 106
Incorrect weight/dimensions	NOK 39 per consignment
Return/re-addressing	436 per consignment
Incorrect customer number	NOK 779 per hour
Incorrect consignment number	NOK 779 per hour
Inadequate booking of groupage	Priced as part loads
Late booking of groupage	NOK 613 per assignment
Incomplete packaging	NOK 93 per item. Maximum NOK 372
Missing documentation for dangerous goods	NOK 613 per consignment
Labour as agreed	From NOK 902 per hour and 15-minute period commenced

## ■ ■ Terminals

Terminals	Street address	Postal code	Location	Telephone
Alta	Betongveien 4	9509	Alta	04045
Bergen (Pakker)	Kanalvegen 52 B	5068	Bergen	04045
Bergen (Gods)	Nøstegaten 28	5010	Bergen	04045
Drammen	Terminalen 4	3414	Lier	04045
Fauske	Terminalveien 2	8200	Fauske	04045
Fredrikstad	Evjebekkveien 3	1661	Rolvøy	04045
Førde	Fjæreveien 1	6802	Førde	04045
Hamar	Smiuhagan 10	2323	Ingeberg	04045
Harstad	Stangnesterterminalen 6	9409	Harstad	04045
Haugesund	Stølsmyr 10	5542	Karmsund	04045
Kongsvinger	Industriveien 15	2212	Kongsvinger	04045
Kristiansand	Buråsen 29	4636	Kristiansand	04045
Leknes	Leknes Havn	8370	Leknes	04045
Mo i Rana	Nordregate 13-17	8622	Mo i Rana	04045
Molde	Gammelseterlia 22	6422	Molde	04045
Måløy	Inter-Com-Terminalen	6700	Måløy	04045
Narvik	Medbymoene 3	8530	Bjerkvik	04045
Oslo	Alfasetveien 24	0668	Oslo	04045
Otta	Skansen 33	2670	Otta	04045
Røros	Osloveien 29	7374	Røros	04045
Sortland	Havnegata 7	8400	Sortland	04045
Stavanger	Vagleveien 35	4323	Sandnes	04045
Stokke	Borgeskogen 57 G	3160	Stokke	04045
Stryn	Hegrevegen 13, 6783 Stryn	6783	Stryn	04045
Tana	Grenveien 5	9845	Tana	04045
Tromsø (Pakker)	Kvaløyvegen 329	9269	Tromsø	04045
Tromsø (Gods)	Terminalgt. 42	9019	Tromsø	04045
Trondheim	Torgardstrøa 18	7093	Tiller	04045
Ålesund	Digerneset Næringspark	6260	Skodje	04045

Contact us at [kundeservice@bring.com](mailto:kundeservice@bring.com), telephone 04045 or telephone (from abroad) +47 22 03 00 45.



## Bring and the environment

As a customer of Bring, you are already making a good environmental choice. We also have a structured and conscious plan to improve still further in future.

### Environmental awareness and consideration for the environment

Environmental awareness and consideration for the environment are part of our organisation and our encounters with customers, staff and other stakeholders. It has to be considered right from the outset in our logistics solutions, and all our staff have to have a fundamental awareness of it. This is why we are providing training on heavy eco driving to all our drivers, and many of our staff received basic environmental training in 2009.

### Focusing on fossil-free food logistics

Bring is taking climate issues seriously and is aiming to provide food logistics that are not driven by fossil energy. We are working actively towards our vision, with the long-term objective in mind. Our energy, climate and environmental strategy points out five activity areas for systematic improvement of our environmental performance:

- Logistics and traffic management to increase fill levels and capacity utilisation
- Controlling the operation and maintenance of vehicles and load carriers in order to minimise waste
- Tests and systematic investment in new technology, vehicles, new fuels and new load carriers for intermodal transport solutions

- Long-term development of logistics in partnership with customers, suppliers, politicians, authorities, etc.
- Energy streamlining and climate neutrality at cold stores and other permanent plants

### Step by step towards a sustainable future

Our green credentials make us stand out and will allow us to continue our environmental efforts in future. We are working step-by-step to seek the transport solutions that will be sustainable in the long term. We are developing intermodal alternatives where trailers will be lifted up onto trains over their main routes in order to reduce environmental impact and greenhouse gas emissions. We want to select biofuels for our transport operations in regions where such fuels are available.

We have embarked upon this work and we will be carrying on with it, both at home and abroad, no matter what. This will allow us to achieve long-term sustainability for our services. This is an advantage for our customers, the environment, and for ourselves.



**Contact us**

[bringkundeservice@bring.com](mailto:bringkundeservice@bring.com)

Telephone: 04045. Telephone (from abroad): +47 22 03 00 45

**Tracking** [bringsporing@bring.com](mailto:bringsporing@bring.com)

**Booking** [bringbooking@bring.com](mailto:bringbooking@bring.com)

**Complaints** [bringreklamasjon@bring.com](mailto:bringreklamasjon@bring.com)

**Invoice queries**

[bringfaktura@bring.com](mailto:bringfaktura@bring.com)

**Business hours:**

Monday to Friday: 8am-4pm